



# Owner's Manual

## for Model P1IU-A9 Portable Air Compressor

**IMPORTANT INFORMATION! READ AND FOLLOW THESE INSTRUCTIONS. RETAIN FOR REFERENCE.**

### SAFETY

#### DEFINITIONS

- ⚠ **DANGER** WILL cause DEATH, SEVERE INJURY or substantial property damage.
- ⚠ **WARNING** CAN cause DEATH, SEVERE INJURY or substantial property damage.
- ⚠ **CAUTION** WILL or CAN cause MINOR INJURY or property damage.

#### GENERAL SAFETY PRECAUTIONS

⚠ **DANGER**

##### INHALATION HAZARD. Will cause serious injury or death.

- Can contain carbon monoxide or other contaminants. Ingersoll Rand air compressors are not designed, intended or approved for breathing air. Compressed air should not be used for breathing air applications unless treated in accordance with all applicable codes and regulations.
- Do not directly inhale compressed air.
- Follow precautions on container labels before spraying materials such as paint, insecticide and weed killer.
- Wear a respirator when spraying.

⚠ **WARNING**

##### FLAMMABLE VAPORS. Can cause a fire or explosion and result in serious injury or death.

- Do not operate where flammable or explosive liquids or vapors such as gasoline, natural gas and solvents are present.

##### HAZARDOUS VOLTAGE. Can cause serious injury or death.

- Disconnect power and bleed pressure from tank before servicing.
- Compressor must be connected to properly grounded circuit. See grounding instructions in manual.
- Do not operate compressor in wet conditions. Store indoors.

##### MOVING PARTS. Can cause serious injury.

- Do not operate with guards or shields removed, damaged or broken.
- Machine may start automatically. Disconnect power before servicing.

##### HOT SURFACES. Can cause serious injury. Burns may occur.

- Do not touch the compressor pump, motor or discharge tubing during or shortly after operation. These parts become hot. Allow to cool before touching.

##### HIGH PRESSURE AIR. Can cause serious injury.

- Do not remove, adjust, bypass, change, modify or make substitutions for safety/relief valves or other pressure control related devices.
- Do not direct air stream at body.
- Rusted tanks can cause explosion and severe injury or death. Drain tank daily or after each use. Drain valve located at bottom of tank.
- Do not over-pressurize the receiver tank or similar vessels beyond design limits.
- Do not use a receiver tank or similar vessels that fail to meet the design requirements of the compressor. Contact your distributor for assistance.
- Do not drill into, weld or otherwise alter the receiver tank or similar vessels.
- Do not use air tools or attachments without first determining the maximum pressure recommended for that equipment.
- Do not point air nozzles or sprayers toward anyone.

⚠ **CAUTION**

##### RISK OF BURSTING. Can cause serious injury.

- Use only suitable air handling parts acceptable for pressure of not less than the maximum allowable working pressure of the machine.

##### FLYING DEBRIS. Can cause serious injury to eyes.

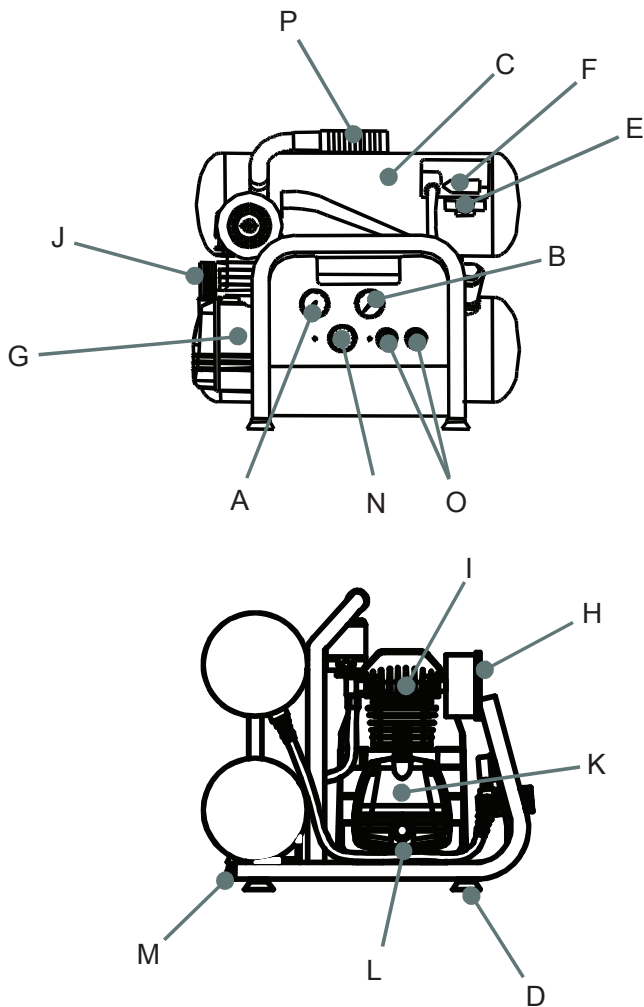
- Wear eye protection at all times.

##### NOISE HAZARD. Can cause serious injury to ears.

- Wear ear protection at all times.

**NOTE**

- Do not remove, paint over or deface decals. Replace any missing decals.



- A TANK PRESSURE GAUGE
- B LINE PRESSURE GAUGE
- C TANK
- D RUBBER BUMPER
- E SAFETY / RELIEF VALVE
- F ON/OFF SWITCH
- G MOTOR/PUMP
- H INTAKE FILTER
- I CYLINDER
- J OIL DIPSTICK
- K CASING COVER
- L OIL DRAIN CAP
- M TANK DRAIN
- N PRESSURE REGULATOR KNOB
- O QUICK CONNECT
- P LIFTING HANDLE

## PREPARATION FOR USE

### SELECTING A LOCATION

**GENERAL.** Select a clean, dry, well-lighted area with plenty of space for proper cooling air flow and accessibility. Locate the unit on a solid level surface at least 12 inches (30 cm) from walls. Ensure unit is as level as possible. In order to avoid damaging the air compressor, do not incline the unit transversely or longitudinally more than 10°.

**TEMPERATURE.** Ideal operating temperatures are between 50°F and 100°F (10°C and 37.8°C).

**CAUTION** Never operate in temperatures below 32°F (0°C) or above 104°F (40.0°C).

**HUMID AREAS.** In frequently humid areas, moisture may form in the compressor and produce sludge in the lubricant, causing running parts to wear out prematurely. Excessive moisture is especially likely to occur if the unit is located in an unheated area that is subject to large temperature changes. Two signs of excessive humidity are external condensation on the compressor when it cools down and a “milky” appearance in petroleum compressor lubricant. You may be able to prevent moisture from forming in the compressor by increasing ventilation or operating for longer intervals.

### ATTACHMENTS

When attaching tools and accessories to your air compressor, adhere to the following general guidelines. Contact customer service for more information.

**CAUTION** If you will be using Ingersoll Rand “All-Season Select” synthetic lubricant, all downstream attachments must be compatible. Refer to the following material compatibility list. If there are incompatible materials present, or if there are materials not included in the list, contact customer service.

**Suitable:**

Viton®, Teflon®, Epoxy (Glass Filled), Oil Resistant Alkyd, Fluorosilicone, Fluorocarbon, Polysulfide, 2-Component Urethane, Nylon, Delrin®, Celcon®, High Nitrile Rubber (Buna N. NBR more than 36% Acrylonitrile), Polyurethane, Polyethylene, Epichlorohydrin, Polyacrylate, Melamine, Polypropylene, Baked Phenolics, Epoxy, Modified Alkyds  
(® indicates trademark of DuPont Corporation)

**Not Recommended:**

Neoprene, Natural Rubber, SBR Rubber, Acrylic Paint, Lacquer, Varnish, Polystyrene, PVC, ABS, Polycarbonate, Cellulose Acetate, Low Nitrile Rubber (Buna N. NBR less than 36% Acrylonitrile), EPDM, Ethylene Vinyl Acetate, Latex, EPR, Acrylics, Phenoxy, Polysulfones, Styrene Acrylonitrile (San), Butyl

## SPECIFICATIONS

Motor	Single-Phase, Induction Motor	
Power Source	Single-Phase, 120V AC 60 Hz	
Current	15.0 A	
Tank Capacity	4 gal. (15.1 l)	
Maximum Pressure	135 PSI (9.3 bar)	
Free Air Delivery	@ 90 PSI (6.2 bar)	4.3 CFM (125 l/min)
	@ 135 PSI (9.3 bar)	3.2 CFM (90 l/min)
Lubrication	Oil	

**GENERAL REQUIREMENTS.** The attachments, piping, fittings, receiver tank, etc. must be certified safe for at least the maximum working pressure of the unit. Use hard-welded or threaded steel or copper pipes, cast iron fittings and hoses that are certified safe for the unit’s discharge pressure and temperature. DO NOT USE PVC PLASTIC. Use pipe thread sealant on all threads, and make up joints tightly to prevent air leaks.

**CONDENSATE DISCHARGE.** Condensate must be disposed of in accordance with local, state, and federal laws and regulations.

**NOTE**

All compressed air systems generate condensate which accumulates in any drain point (e.g. tanks, filters, drip legs, aftercoolers, dryers). This condensate contains lubricating

oil and/or substances which may be regulated and must be disposed of in accordance with local, state, and federal laws and regulations.

## ELECTRICAL WIRING & GROUNDING

**⚠ WARNING** Any electrical installation and service required should be performed by a qualified electrician who is familiar with all applicable local, state and federal laws and regulations.

**NOTE** This product should be connected to a grounded, metallic, permanent wiring system.

**NOTE** Ingersoll Rand recommends the use of a dedicated 20 AMP outlet for this air compressor. A 15 AMP outlet may be sufficient for some applications.

**GENERAL.** The motor rating, as shown on the motor nameplate, and the power supply must have compatible voltage, phase and hertz characteristics.

**WIRE SIZE.** The electrical wiring between the power supply and electric motor varies according to motor horsepower. Power leads must be adequately sized to protect against excessive voltage drop during start-up. Information for selecting the proper wire size and securing connections should be provided with the motor. If not, refer to the National Electric Code (NEC) or applicable local, state and federal laws and regulations. If other electrical equipment is connected to the same circuit, the total electrical load must be considered in selecting the proper wire size. **DO NOT USE UNDERSIZE WIRE.**

**FUSES.** Refer to the National Electric Code to determine the proper fuse or circuit breaker rating required. When selecting fuses, remember the momentary starting current of an electric motor is greater than its full load current. Time-delay or "slow-blow" fuses are recommended.

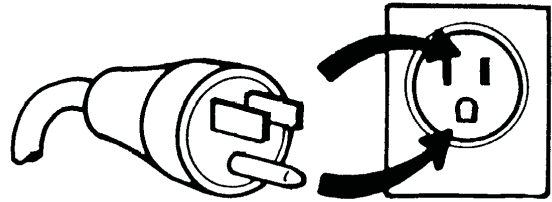
**GROUNDING.** The unit is equipped with a power cord having a grounding wire and an appropriate grounding plug. The plug must be used with an outlet that has been installed and grounded in accordance with all local codes and ordinances. The outlet must have the same configuration as the plug. **DO NOT USE AN ADAPTER.**

**⚠ WARNING** In the event of a short circuit, grounding reduces the risk of shock by providing an escape for the electric current. The unit must be properly grounded.

**⚠ DANGER** Improper installation of the grounding plug can result in a risk of electric shock. If repair or replacement of the cord or plug is necessary, do not connect the grounding wire to either flat blade terminal. The wire with insulation having an outer surface that is green with or without yellow stripes is the grounding wire.

Check with a qualified electrician or service technician if the grounding instructions are not completely understood, or if in doubt as to whether the product is properly grounded. Do not modify the plug provided; if it will not fit the outlet, have the proper outlet installed by a qualified electrician.

This product is for use on a nominal 115-volt circuit and has a grounding plug that looks like the plug illustrated below. Make sure the product is connected to an outlet having the same configuration as the plug. No adapter should be used with this product.



**EXTENSION CORDS.** It is preferable to use extra air hose instead of an extension cord to avoid voltage drop and power loss to the motor, and to prevent overheating. If an extension cord must be used, ensure it meets the following criteria:

- Three wire cord with a three blade grounding plug, and a three slot outlet that will accept the plug on the unit.
- Good condition.
- No longer than 50 feet.
- 12 gauge or larger.

**NOTE** Wire size increases as gauge number decreases. For example, 10 AWG and 8 AWG wire is acceptable, whereas 14 or 16 AWG are NOT acceptable.

## COMPRESSOR LUBRICATION

**⚠ CAUTION** Do not operate without lubricant or with inadequate lubricant. Ingersoll Rand is not responsible for compressor failure caused by inadequate lubrication.

**NOTE** The compressor is shipped without oil in the crankcase. A bottle of oil is supplied. Follow the oil filling procedures in this manual.

**NOTE** A plastic plug is inserted in the oil fill opening. Remove this plug and replace it with the oil dipstick provided before operating the unit.

**SYNTHETIC LUBRICANT.** We recommend Ingersoll Rand "All-Season Select" synthetic lubricant.

**ALTERNATE LUBRICANTS.** You may use a petroleum-based lubricant that is premium quality, does not contain detergents, contains only anti-rust, anti-oxidation, and anti-foam agents as additives, has a flashpoint of 440°F (227°C) or higher, and has an auto-ignition point of 650°F (343°C) or higher.

See the petroleum lubricant viscosity table below. The table is intended as a general guide only. Heavy duty operating conditions require heavier viscosities. Refer specific operating conditions to your dealer for recommendations.

Temperature Around Unit °F(°C)	Viscosity @ 100°F (37.8°C) SUS (Centistokes)	Viscosity Grade ISO (SAE)
<40 (4.4)	150 (32)	32 (10)
40 - 80 (4.4 - 26.7)	500 (110)	100 (30)
80 - 125 (26.7 - 51.0)	750 (165)	150 (40)

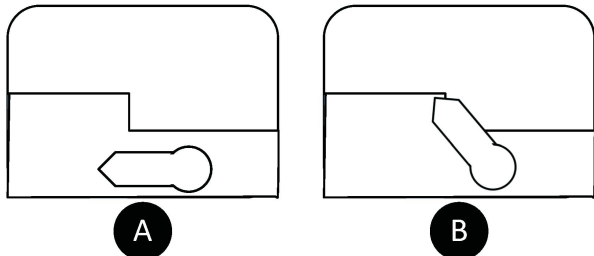
If you use a petroleum-based compressor lubricant at start-up and decide to convert to Ingersoll Rand "All-Season Select" synthetic lubricant later on, the compressor valves must be

thoroughly decarbonized and the crankcase must be flushed before conversion.

## OPERATION

### PRIOR TO OPERATION

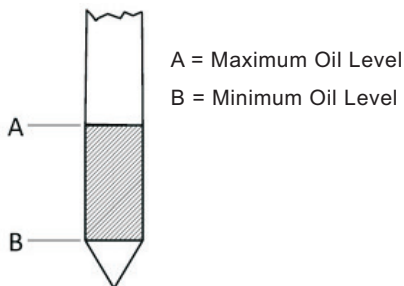
1. Ensure that the power source to be utilized conforms to the power source requirements specified on the product nameplate. See ELECTRICAL WIRING & GROUNDING for more information.
2. Ensure that the lever of the pressure switch is in the "OFF" position. If the plug is connected to an outlet while the knob is in the "ON/AUTO" position, the compressor will start operating immediately and can cause serious injury.



A = "ON/AUTO"

B = "OFF"

3. Use a screwdriver or similar tool to remove the plastic shipping cap from the oil fill hole.
4. Pour "All-Season Select" or other approved oil into the oil fill hole to the level indicated on the dipstick provided. See COMPRESSOR LUBRICATION for more information.



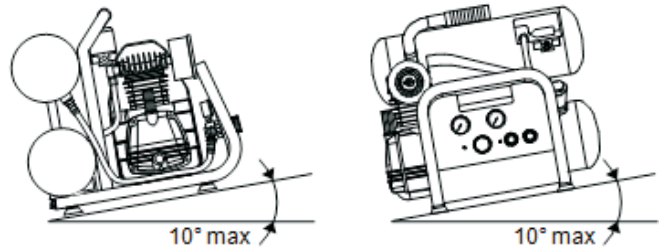
5. Install the dipstick in the oil fill hole.
6. Insert the plug into the outlet. If the power outlet only loosely accepts the plug, the outlet must be repaired. Contact a qualified electrician for repair service. The use of a faulty outlet may cause overheating, resulting in a serious hazard.

**⚠ WARNING** Drain the tank to release air pressure before removing the dipstick.

**⚠ WARNING** Make sure the air vent in the dipstick is free from debris. If the air vent is blocked, pressure can build in the crankcase and cause damage to the compressor and possible personal injury.

7. Position the compressor on a firm, level surface in a well ventilated area away from potentially explosive vapors, gases or other agents. See SELECTING A LOCATION for more information.

**⚠ CAUTION** To avoid damaging the compressor, do not allow the unit to be tilted more than 10° when operating.



**⚠ CAUTION** Never operate in temperatures below 32°F (0°C) or above 104°F (40°C).

### STARTING

**⚠ WARNING** Wear appropriate personal eye and ear protection during use.

1. Insert the plug into the outlet and start the compressor by turning the pressure switch lever to "ON/AUTO".

**⚠ CAUTION** Do not stop or start the compressor by use of the plug. Always use the lever located on the pressure switch.

The operation of the compressor is automatic and is controlled by the pressure switch. The pressure switch stops the compressor when the pressure in the air tank reaches the maximum level and restarts the compressor when the air pressure drops to the restart level.

The motor includes a thermal protection switch which stops the compressor if the temperature becomes too high. If the switch is tripped, the compressor will restart only after the reset button is pushed. See THERMAL OVERLOAD PROTECTION for more information.

2. Adjust the pressure to the required level by turning the pressure regulator knob clockwise to increase the pressure and counterclockwise to decrease the pressure.

A pressure gauge is provided to indicate when the required pressure is reached.

**⚠ WARNING** Prior to using air tools or attachments, check the manufacturer's maximum pressure rating for that equipment. The compressor outlet pressure must be regulated to never exceed the maximum pressure rating of the tools or attachments.

### STOPPING & STORAGE

1. Turn the pressure switch lever to "OFF".
2. Unplug the cord from the power source and secure the cord tightly around the handle.
3. Slowly open the tank drain valve to depressurize the tank and to empty all accumulated water. Keep your face and eyes away from the drain valve.

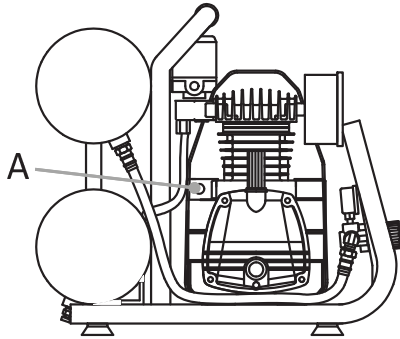
**⚠ WARNING** If the tank becomes corroded, there is a risk of breakdown. If the tank is not drained, water will corrode and weaken the air tank causing a risk of air tank rupture. Drain the tank daily or after four hours of use.

4. Store the compressor in a clean, dry location.

## THERMAL OVERLOAD PROTECTION \_\_\_\_\_

The thermal protector operates to stop the motor when a problem occurs. If the motor should stop during operation, proceed as follows.

1. Turn the pressure switch lever to the "OFF" position and disconnect the plug from the receptacle.
2. If the extension cord does not conform to the proper specifications, replace with suitable extension cord. If the capacity of the power supply is insufficient, increase the power supply capacity to remove the cause of a flow of excessive current (over-current).
3. Wait approximately 5 minutes, then press the reset button of the thermal protector.
4. If the motor still stops during operation, please call for service.



A = Thermal Protector

## MAINTENANCE

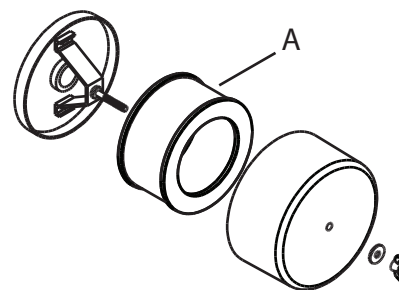
**⚠ WARNING** Unplug the unit, release air pressure from the tank and allow the unit to cool before performing maintenance.

**⚠ WARNING** Wear appropriate personal eye and ear protection during maintenance.

**NOTE** All compressed air systems contain maintenance parts (e.g. lubricating oil, filters, separators) which are periodically replaced. These used parts may be, or may contain, substances that are regulated and must be disposed of in accordance with local, state, and federal laws and regulations.

**NOTE** Take note of the positions and locations of parts during disassembly to make reassembly easier. The assembly sequences and parts illustrated may differ for your particular unit.

**NOTE** Any service operations not included in this section should be performed by an authorized Ingersoll Rand service representative.



A = Filter Element

**⚠ WARNING** Never clean filter element with a flammable liquid or solvent.

**⚠ CAUTION** Do not operate without the intake filter.

**NOTE** Replace the filter element when it becomes dirty.

### ROUTINE MAINTENANCE SCHEDULE

Daily or Before Each Operation	<ul style="list-style-type: none"> <li>● Check lubricant level. Fill as needed.</li> <li>● Drain receiver tank condensate. Open the manual drain valve and collect and dispose of condensate accordingly.</li> <li>● Check for unusual noise and vibration.</li> <li>● Ensure guards and covers are securely in place.</li> <li>● Ensure area around compressor is free from rags, tools, debris, and flammable or explosive materials.</li> </ul>
Weekly/50 Hours	<ul style="list-style-type: none"> <li>● Inspect air filter element. Clean or replace if necessary.</li> </ul>
Monthly	<ul style="list-style-type: none"> <li>● Inspect for air leaks. Squirt soapy water around joints during compressor operation and watch for bubbles.</li> <li>● Check tightness of screws and bolts. Tighten as needed.</li> <li>● Clean exterior.</li> </ul>
6/100 *	<ul style="list-style-type: none"> <li>● Change petroleum lubricant while crankcase is warm.</li> </ul>
12/300 *	<ul style="list-style-type: none"> <li>● Change synthetic lubricant while crankcase is warm.</li> <li>● Replace filter element.</li> </ul>

\* indicates months/operating hours, whichever occurs first.

### INTAKE FILTER CLEANING

Remove the intake filter every 50 hours or once a week and clean the inside of the intake filter and the filter element with compressed air. Turn the wing nut counterclockwise to disassemble intake filter.

### TANK DRAINING

Drain both tanks daily or after 4 hours of use. Open drain cock and tilt compressor to empty accumulated water.

### COMPRESSOR PUMP OIL CHANGE

**⚠ CAUTION** Do not operate without lubricant or with inadequate lubricant. Ingersoll Rand is not responsible for compressor failure caused by inadequate lubrication.

**⚠ CAUTION** Overfilling with oil will cause premature compressor failure. Do not overfill.

1. Within the first 50 hours of operation, completely replace the oil of the pumping element. Unfasten the oil drain cap on the casing cover, drain all the oil, and screw the cap back on.
2. Pour All-Season Select or other approved oil into the hole of the dipstick to the level indicated on the dipstick. See "Preparation for Use" section for lubricant recommendations.
3. Check the oil level of the pumping element every 50 hours or once a week.
4. Change the oil according to the following intervals:  
Mineral oil = 100 hours or every 6 months.  
All Season Select = 300 hours or every 12 months.

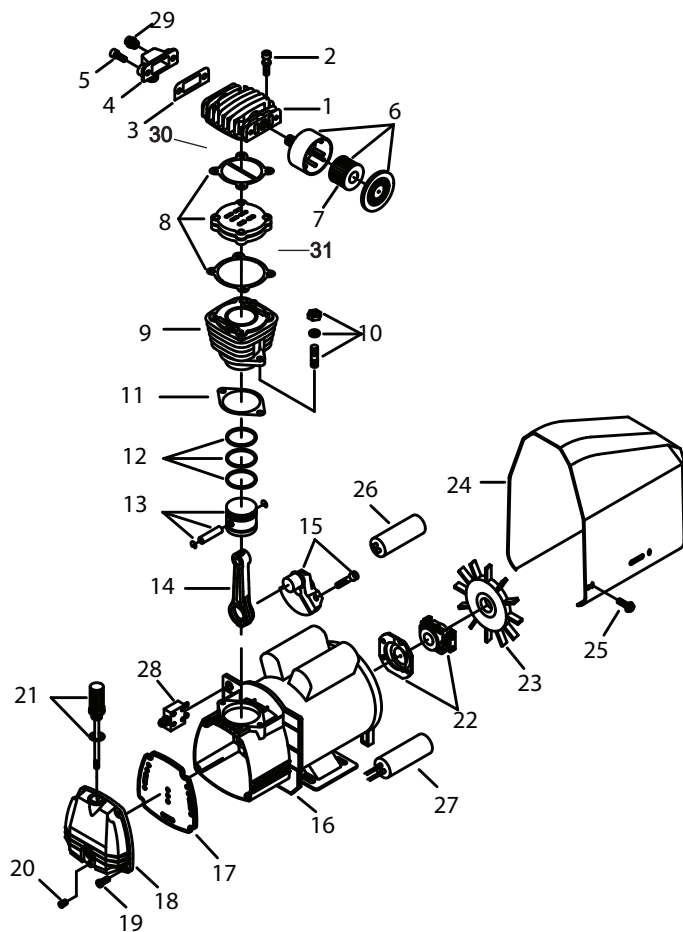
### TANK INSPECTION

The life of an air receiver tank is dependent upon several factors including, but not limited to, operating conditions, ambient environments, and the level of maintenance. The exact effect of these factors on tank life is difficult to predict; therefore, Ingersoll Rand recommends that you schedule a certified tank inspection within the first five years of compressor service. To arrange a tank inspection, contact the nearest Ingersoll Rand Customer Center or distributor, or call 1-800-AIR SERV.

If the tank has not been inspected within the first 10 years of compressor service, the receiver must be taken out of service until it has passed inspection. Tanks that fail to meet requirements must be replaced.

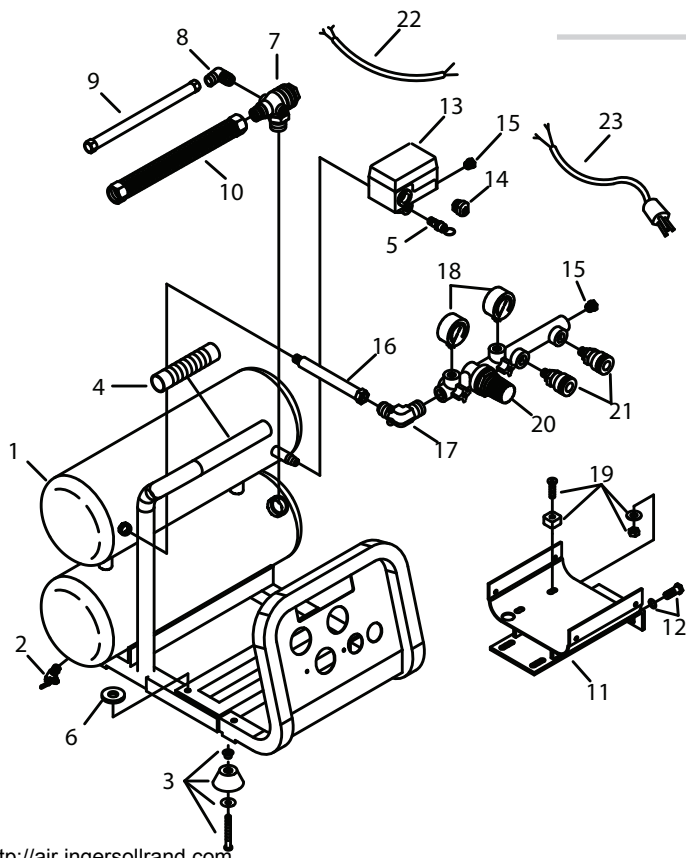
**⚠ WARNING** Failure to replace a rusted air receiver tank could result in air receiver tank rupture or explosion, which could cause substantial property damage, severe personal injury, or death. Never modify or repair tank. Obtain replacement from service center.

**PARTS LIST**



**PUMP**

REF. NO.	PART NO.	DESCRIPTION	QTY.
1	23360068	HEAD - CYLINDER	1
2	23360084	SET - ALLEN BOLT	4
3	23360092	GASKET - EXHAUST ELBOW	1
4	23360100	ELBOW - EXHAUST	1
5	23360118	BOLT - ALLEN HEAD	2
6	23360126	FILTER - AIR INLET	1
7	23360134	ELEMENT - AIR INLET FILTER	1
8	23360142	ASSEMBLY - INLET & EXHAUST VALVE	1
9	23360159	CYLINDER	1
10	23360167	SET - DOUBLE HEAD SCREW	2
11	23360175	GASKET - CYLINDER	1
12	23360183	SET - PISTON RING	1
13	23360191	SET - PISTON	1
14	23360209	ROD	1
15	23360217	CRANKSHAFT & BALANCER	1
16	23360225	SET - MOTOR	1
17	23360233	GASKET - FRONT COVER	1
18	23360241	COVER - FRONT	1
19	23360258	BOLT	4
20	23360266	PLUG	1
21	23360274	SET - DIPSTICK	1
22	23360282	SET - CENTRIFUGAL SWITCH	1
23	23360290	COOLING FAN	1
24	23360308	SHROUD	1
25	23360316	BOLT	6
26	23360324	STARTING CAPACITOR	1
27	23360332	RUNNING CAPACITOR	1
28	23360340	THERMAL PROTECTOR	1
29	23360357	AUTOMATIC RELIEF VALVE	1
30	23369655	GASKET - HEAD	1
31	23369663	GASKET - VALVE ASSEMBLY/CYLINDER	1



**TANK**

REF. NO.	PART NO.	DESCRIPTION	QTY.
1	23360365	TANK - AIR	1
2	23360373	VALVE - BALL	1
3	23360381	SET - RUBBER PAD	4
4	23360399	GRIP	1
5	23360407	VALVE - PRESSURE RELIEF	1
6	23360431	BODY SEAT BLOCK	6
7	23360449	VALVE - CHECK	1
8	23360456	ELBOW - UNLOADING	1
9	23360464	TUBE - UNLOADING	1
10	23360472	EXHAUST SOFT TUBE	1
11	23360480	TANK SEATING	1
12	23360498	SET - HEXAGON BOLT	4
13	23360506	SWITCH - PRESSURE	1
14	23360514	BUSHING - STRAIN RELIEF	2
15	23360522	PLUG	3
16	23360530	TUBE - SOFT	1
17	23360548	ELBOW - EXHAUST	1
18	23360555	GAUGE - PRESSURE	2
19	23360563	SET - MOTOR FOOT BOLT	4
20	23360571	REGULATOR	1
21	23360589	COUPLER - QUICK CONNECT (FEMALE)	2
22	23360597	CABLE	1
23	23360605	CABLE - POWER	1

**REPAIR KITS**

DESCRIPTION	PART NO.	KIT CONTENTS
GASKET KIT	23369739	QTY. (1) EXHAUST ELBOW GASKET — PART NO. 23360092 (REF. NO. 3) QTY. (1) CYLINDER GASKET — PART NO. 23360175 (REF. NO. 11) QTY. (1) FRONT COVER GASKET — PART NO. 23360233 (REF. NO. 17) QTY. (1) HEAD GASKET — PART NO. 23369655 (REF. NO. 30) QTY. (1) VALVE ASSEMBLY/CYLINDER GASKET — PART NO. 23369663 (REF. NO. 31)
VALVE ASSEMBLY KIT	23369754	QTY. (1) INLET & EXHAUST VALVE — PART NO. 23360142 (REF. NO. 8) QTY. (1) HEAD GASKET — PART NO. 23369655 (REF. NO. 30) QTY. (1) VALVE ASSEMBLY/CYLINDER GASKET — PART NO. 23369663 (REF. NO. 31)
PISTON RING KIT	23369762	QTY. (1) CYLINDER GASKET — PART NO. 23360175 (REF. NO. 11) QTY. (1) PISTON RING SET — PART NO. 23360183 (REF. NO. 12) QTY. (2) HEAD GASKET — PART NO. 23369655 (REF. NO. 30) QTY. (2) VALVE ASSEMBLY/CYLINDER GASKET — PART NO. 23369663 (REF. NO. 31)
COMPLETE PUMP	23369747	REF. NO. 1-31

**ALL SEASON SELECT SYNTHETIC LUBRICANT**

DESCRIPTION	PART NO.
0.5 LITER OF OIL	97338131



**WARRANTY**

Ingersoll-Rand Company warrants that the Equipment manufactured by it and delivered hereunder shall be free of defects in material and workmanship for a period of twelve (12) months from the date of delivery to the customer. Should any failure to conform to this Warranty be reported in writing to the Company within said period, the Company shall, at its option, correct such nonconformity by suitable repair to such Equipment, or furnish a replacement part F.O.B. point of shipment, provided the purchaser has installed, maintained and operated such equipment in accordance with good industry practices and has complied with specific recommendations of the Company. Accessories or equipment furnished by the Company, but manufactured by others, shall carry whatever warranty the manufacturer conveyed to Ingersoll-Rand Company and which can be passed on to the Purchaser. The Company shall not be liable for any repairs, replacements, or adjustments to the Equipment or any costs of labor performed by the Purchaser without the Company's prior written approval.

The Company makes no performance warranty unless specifically stated within its proposal and the effects of corrosion, erosion and normal wear and tear are specifically excluded from the Company's Warranty. In the event performance warranties are expressly included, the Company's obligation shall be to correct in the manner and for the period of time provided above.

THE COMPANY MAKES NO OTHER WARRANTY OF REPRESENTATION OF ANY KIND WHATSOEVER, EXPRESSED OR IMPLIED, EXCEPT THAT OF TITLE, AND ALL IMPLIED WARRANTIES OF MERCHANTABILITY AND FITNESS FOR A PARTICULAR PURPOSE, ARE HEREBY DISCLAIMED.

Correction by the Company of nonconformities, whether patent or latent, in the manner and for the period of time provided above, shall constitute fulfillment of all liabilities of the Company and its Distributors for such nonconformities with respect to or arising out of such Equipment.

**LIMITATION OF LIABILITY**

THE REMEDIES OF THE PURCHASER SET FORTH HEREIN ARE EXCLUSIVE, AND THE TOTAL LIABILITY OF THE COMPANY, ITS DISTRIBUTORS AND SUPPLIERS WITH RESPECT TO CONTRACT OR THE EQUIPMENT AND SERVICES FURNISHED, IN CONNECTION WITH THE PERFORMANCE OR BREACH THEREOF, OR FROM THE MANUFACTURE, SALE, DELIVERY, INSTALLATION, REPAIR OR TECHNICAL DIRECTION COVERED BY OR FURNISHED UNDER CONTRACT, WHETHER BASED ON CONTRACT, WARRANTY, NEGLIGENCE, INDEMNITY, STRICT LIABILITY OR OTHERWISE SHALL NOT EXCEED THE PURCHASE PRICE OF THE UNIT OF EQUIPMENT UPON WHICH SUCH LIABILITY IS BASED.

THE COMPANY, ITS DISTRIBUTORS AND ITS SUPPLIERS SHALL IN NO EVENT BE LIABLE TO THE PURCHASER, ANY SUCCESSORS IN INTEREST OR ANY BENEFICIARY OR ASSIGNEE OF THE CONTRACT FOR ANY CONSEQUENTIAL, INCIDENTAL, INDIRECT, SPECIAL OR PUNITIVE DAMAGES ARISING OUT OF THIS CONTRACT OR ANY BREACH THEREOF, OR ANY DEFECT IN, OR FAILURE OF, OR MALFUNCTION OF THE EQUIPMENT, WHETHER OR NOT BASED UPON LOSS OF USE, LOSS PROFITS OR REVENUE, INTEREST, LOST GOODWILL, WORK STOPPAGE, IMPAIRMENT OF OTHER GOODS, LOSS BY REASON OF SHUTDOWN OR NON-OPERATION, INCREASED EXPENSES OF OPERATION, COST OF PURCHASE OF REPLACEMENT POWER, OR CLAIMS OF PURCHASER OR CUSTOMERS OF PURCHASER FOR SERVICE INTERRUPTION WHETHER OR NOT SUCH LOSS OR DAMAGE IS BASED ON CONTRACT, WARRANTY, NEGLIGENCE, INDEMNITY, STRICT LIABILITY OR OTHERWISE.

Retain your receipt as proof of purchase in the event of a claim under warranty.

**Questions? Parts? Service?**

**1-800 AIR SERV**





# Manual del Propietario

para el Modelo P1IU-A9  
Compresor de Aire Portátil

**INFORMACIÓN IMPORTANTE. LEA Y SIGA ESTAS INSTRUCCIONES. CONSERVE PARA LA REFERENCIA.**

## SEGURIDAD

### DEFINICIONES

- △ **PELIGRO** PRODUCIRÁ LA MUERTE, LESIONES GRAVES o daños considerables a la propiedad.
- △ **ADVERTENCIA** PUEDE producir LA MUERTE, LESIONES GRAVES o daños considerables a la propiedad.
- △ **PRECAUCIÓN** CAUSARÁ o PUEDE causar LESIONES MENORES o daños a la propiedad.

### PRECAUCIONES GENERALES DE SEGURIDAD

#### △ **PELIGRO**

#### ADMISIÓN DE AIRE. Causará lesiones graves o la muerte.

- Puede contener monóxido de carbono y otros contaminantes. Los compresores de aire Ingersoll Rand no están diseñados, tienen por objeto o están aprobados para aire respirable. Aire comprimido No se de usar para aplicaciones de respiración de aire salvo que se trate de acuerdo con todos los códigos y regulaciones aplicables.
- No inhale directamente el aire comprimido.
- Siga las precauciones contenidas en las etiquetas antes de vaporizar materiales tales como pinturas, insecticidas y herbicidas.
- Use un respirador y gafas de seguridad cuando realice tareas de vaporización.

#### △ **ADVERTENCIA**

#### VAPORES INFLAMABLES. Pueden causar un fuego o una explosión y un resultado en lesión seria o en muerte.

- No opere el equipo donde estén presentes líquidos o vapores inflamables o explosivos tales como gasolina, gas natural o solventes.

#### TENSIÓN PELIGROSA. Puede causar lesiones graves o la muerte.

- Desconecte la alimentación y purgue la presión del tanque antes de efectuar un servicio.
- El compresor debe estar conectado en forma adecuada a un circuito a tierra. Vea las instrucciones del conexionado a tierra en el manual.
- No opere el compresor en condiciones mojadas. Almacénelo en el interior.

#### PARTES MÓVILES. Pueden causar lesiones graves.

- No lo opere con las protecciones quitadas.
- La máquina puede encenderse de manera automática. Desconecte la alimentación antes de efectuar un servicio.

#### SUPERFICIES CALIENTES. Pueden causar lesiones graves. Las quemaduras pueden ocurrir.

- No toque la bomba, motor o tubo de descarga del compresor durante o inmediatamente después de la operación. Estas partes pueden estar calientes.

#### AIRE A ALTA PRESIÓN. La derivación, modificación o eliminación de las válvulas de seguridad/alivio puede causar lesiones graves o la muerte.

- No quite, ajuste, realice derivaciones, cambie, modifique o efectúe cambios de válvulas de seguridad/alivio u otros dispositivos relacionados con el control de la presión.
- No dirija la corriente de aire hacia el cuerpo.
- Los tanques oxidados pueden producir una explosión o causar lesiones graves o la muerte. Drene el tanque diariamente o después de cada uso. La válvula de drenaje se encuentra en la parte inferior del tanque.
- No sobre-presurice el tanque receptor o contenedores similares más que los límites de diseño.
- No use un tanque receptor o contenedor similar que no cumpla con los requerimientos de diseño del compresor. Contáctese con su distribuidor para obtener asistencia.
- No perforo, suelde ni altere de manera alguna el tanque receptor o contenedores similares.
- No use herramientas neumáticas o accesorios sin primero determinar la presión máxima recomendada para ese equipo.
- No apunte las boquillas o rociadores de aire hacia ninguna persona.

#### △ **PRECAUCIÓN**

#### RIESGO DE ESTALLIDO. Puede causar lesión seria.

- Use sólo piezas de manejo de aire adecuadas para una presión no inferior a la presión de trabajo máxima permitida de la máquina.

#### RUINA DE VUELO. Puede causar lesión seria a los ojos.

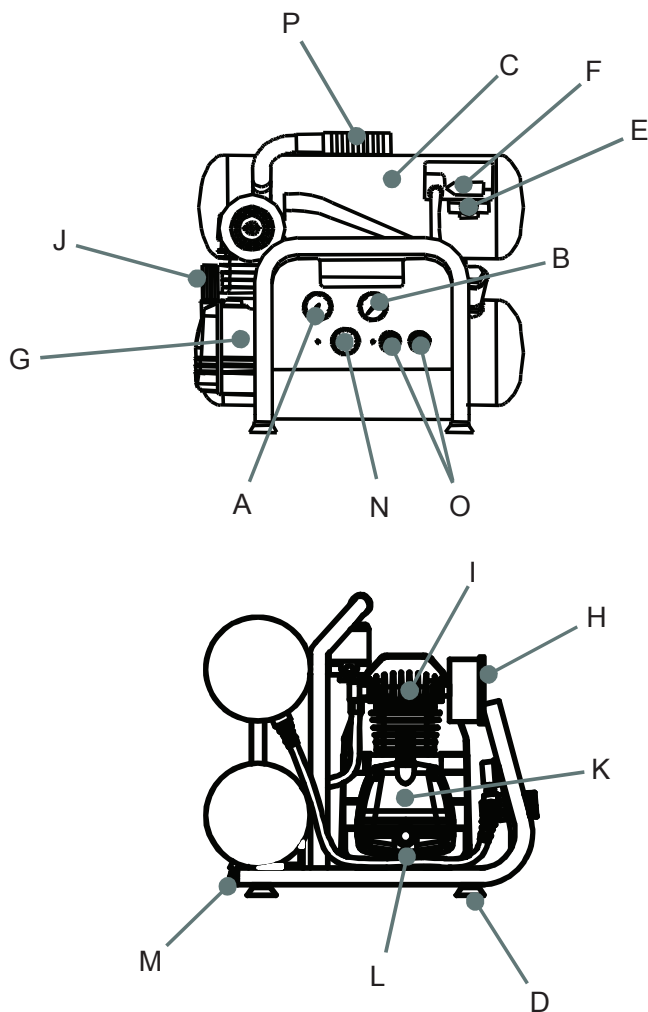
- Protección de ojo del desgaste siempre.

#### PELIGRO DEL RUIDO. Puede causar lesión seria a los oídos.

- Protección auditiva del desgaste siempre.

#### **NOTA**

- No quite, pinte o deforme las calcomanías. Reemplace las calcomanías faltantes.



- A MANÓMETRO DEL TANQUE
- B MANÓMETRO DE LÍNEA
- C TANQUE
- D PARAGOLPE DE GOMA
- E VÁLVULA DE SEGURIDAD / ALIVIO
- F INTERRUPTOR DE ENCENDIDO/APAGADO
- G MOTOR/BOMBA
- H FILTRO DE ADMISIÓN
- I CILINDRO
- J VARILLA DE ACEITE
- K CUBIERTA DE ENTUBADO
- L TAPA DE DRENAJE DE ACEITE
- M TANQUE DE DRENAJE
- N PERILLA DEL REGULADOR DE PRESIÓN
- O CONEXIÓN RÁPIDA
- P PALANCA DE LEVANTAMIENTO

## ESPECIFICACIONES

Motor	Motor de inducción monofásico	
Fuente de alimentación	Monofásico, 120V AC 60 Hz	
Corriente	15,0 A	
Capacidad del tanque	4 gal. (15,1 l)	
Presión máxima	135 PSI (9,3 bar)	
Entrega de aire libre	@ 90 PSI (6,2 bar)	4.3 CFM (125 l/min)
	@ 135 PSI (9,3 bar)	3.2 CFM (90 l/min)
Lubricación	Aceite	

## PREPARACIÓN PARA USO

### SELECCIÓN DE UNA UBICACIÓN

**GENERAL.** Seleccione un área limpia, seca y bien iluminada con espacio suficiente para un flujo de enfriamiento de aire apropiado y accesibilidad. Ubique la unidad en una superficie de nivel sólido por lo menos a 12 pulgadas (30 cm) de las paredes. Asegúrese de que la unidad esté lo más nivelada posible. Para evitar daños en el compresor de aire, no incline la unidad de manera trasversal o longitudinal a más de 10.

**TEMPERATURA.** Las temperaturas ideales de operación se encuentran entre 50F y 100F (10C y 37,8C).

⚠ **PRECAUCIÓN** Nunca opere en temperaturas por debajo de 32F (0C) o por sobre 104F (40,0C).

**ÁREAS HÚMEDAS.** En áreas frecuentemente húmedas, se puede formar humedad en el compresor y producir lodo en el lubricante, con el resultado del desgaste prematuro de las partes de operación. La humedad excesiva ocurre especialmente si la unidad se ubica en un área no calentada que está sujeta a grandes cambios de temperatura. Dos signos de humedad excesiva son la condensación externa en el compresor cuando se enfría y una apariencia lechosa en el lubricante de compresor de petróleo. Puede evitar que se forme humedad en el compresor con el incremento de ventilación u operación por intervalos más largos.

### UNIONES

Cuando se unen herramientas y accesorios a su compresor de aire, refiérase a los siguientes lineamientos generales. Contáctese con el servicio de atención al cliente para mayor información.

⚠ **PRECAUCIÓN** Si está utilizando lubricante sintético Ingersoll Rand All-Season Select, todas las uniones de salida deben ser compatibles. Refiérase a la siguiente lista de compatibilidad de material. Si existieran materiales incompatibles presentes, o si hay materiales no incluidos en esta lista, contáctese con el servicio de atención al cliente.

#### Apropiado:

Viton®, Teflón®, Epoxy (llenado con vidrio), resistente al aceite Alkyd, Fluorosilicona, Fluorocarbono, Polisulfuros, uretano de dos compuestos, Nylon, Delrin®, Celcon®, Goma con alto Contenido de Nitrilo (Buna N. NBR más que 36% Acrilonitrilo), Poliuretano, Polietileno, Epicloridrin, Poliacrilato, Melamina, Polipropileno, Fenólico Sólido, Resina Epoxi, Alquidos modificados

(® indica marca de DuPont Corporation)

#### No se recomienda:

Neopreno, Goma Natural, Goma SBR, Pintura Acrílica, Laca, Barniz, Poliesterino, PVC, ABS, Policarbonato, Acetato de Celulosa, Nitrilo Bajo, Goma (Buna N. NBR menos que 36% de Acrilonitrilo), EPDM, Etileno de Vinilo Acetato, Látex, EPR, Acrílicos, Resina Fenólica, Polisulfuros, Estireno Acrilonitrilo (San), Butilo

**REQUISITOS GENERALES.** Las uniones, cañerías, accesorios; tanque de recepción, etc., deben certificarse por lo menos en cuanto a la seguridad de la presión de operación máxima de la unidad. Use soldadura dura o acero roscado o tubos de cobre, accesorios de fundición de hierro y mangueras que estén certificadas como seguras para la presión de descarga y la temperatura de las unidades. **NO UTILICE PLÁSTICO PVC.** Utilice sellado de rosca en las cañerías en las roscas, y ajuste las juntas bien para evitar la filtración de aire.

**DESCARGA DE CONDENSADO.** El condensado se debe desecharse de conformidad con las leyes y regulaciones locales, estatales y federales.

**NOTA**

Todos los sistemas de aire comprimido generan condensación que se acumula en cualquier punto de drenaje (por ejemplo, tanques, filtros, patas de escurrimiento, enfriador posterior, secadores). Este condensado contiene aceite lubricante y/o sustancias que pueden ser reguladas y se deben desechar de conformidad con las leyes y regulaciones locales, estatales y federales.

**CABLEADO ELÉCTRICO Y CONEXIÓN A TIERRA**

**ADVERTENCIA** Las instalaciones eléctricas y servicios requeridos deberían realizarse por un electricista calificado que esté familiarizado con las leyes y regulaciones locales, estatales y federales vigentes.

**NOTA**

Este producto debería conectarse a un sistema de cableado permanente, metálico y con conexión a tierra.

**NOTA**

Ingersoll Rand recomienda el uso de una salida de 20 AMP dedicada para este compresor de aire. Una salida de 15 AMP puede ser suficiente para algunas aplicaciones.

**GENERAL.** La calificación del motor, como se muestra en la placa del motor, y el suministro de energía deben tener un voltaje compatible, características de fase y hertz.

**TAMAÑO DE CABLE.** El cableado eléctrico entre el suministro de energía y el motor eléctrico varía de conformidad con la fuerza del motor. Los conductores de energía deben tener un tamaño adecuado para brindar protección contra caídas de voltaje excesivas durante el encendido. Información para elegir el tamaño apropiado de cable y asegurar las conexiones debería estar provisto con el motor. De lo contrario, refiérase al Código Nacional Eléctrico (NEC, por sus siglas en inglés) o las leyes y regulaciones locales, estatales y federales vigentes. Si otro equipo eléctrico está conectado al mismo circuito, la carga eléctrica total debe considerarse en la selección del tamaño apropiado del cableado. NO UTILICE CABLE DE MENOR CALIBRE.

**FUSIBLES.** Refiérase al Código Nacional Eléctrico para determinar el fusible adecuado o la calificación de interruptor de circuito requerido. Cuando selecciona fusibles, recuerde que la corriente de encendido momentánea de un motor eléctrico es mayor que su corriente de carga total. Se recomiendan fusibles de fusión lenta o acción retardada.

**CONEXIÓN A TIERRA.** La unidad está equipada con un cable de alimentación que tiene un cable a tierra con un enchufe a tierra adecuado. El enchufe debe usarse con una salida que haya sido instalada y conectada a tierra de conformidad con códigos y ordenanzas locales. La salida debe tener la misma configuración que el enchufe. NO UTILICE UN ADAPTADOR.

**ADVERTENCIA** En caso de corto circuito, la conexión a tierra reduce el riesgo de electrocutarse ya que provee un escape para la corriente eléctrica. Esta unidad debe estar adecuadamente conectada a tierra.

**PELIGRO** La instalación inadecuada del enchufe a tierra puede tener como resultado riesgo de electrocutarse. Si fuera necesaria la reparación o reemplazo del enchufe o cable, no conecte el cable a tierra a cualquiera de las terminales de punta plana. El cable con aislamiento con una superficie de salida que es verde con o sin rayas amarillas es el cable de conexión a tierra.

Verifique con un electricista calificado o técnico de servicio si las instrucciones de conexión a tierra no han sido completamente entendidas, o si tiene dudas sobre si el producto está conectado a tierra adecuadamente. No modifique el enchufe provisto; si no encastra en la salida, haga instalar la salida adecuada por un electricista calificado.

Este producto es para uso en un circuito nominal de 115 voltios y tiene un enchufe de conexión a tierra que se parece al enchufe graficado a continuación. Asegúrese de que el producto esté conectado a una salida que tiene la misma configuración que el enchufe. No debería utilizarse un adaptador con este producto.



**CABLES DE EXTENSIÓN.** Es preferible utilizar una manguera adicional de aire en lugar de un cable de extensión para evitar caídas de voltaje y pérdida de fuerza del motor, y evitar el sobrecalentamiento. Si se debe usar un cable de extensión, asegúrese de que cumpla con los siguientes requisitos:

- Cable de tres conductores con un enchufe de tres puntas con conexión a tierra, y una salida de tres ranuras que aceptará el enchufe en la unidad.
- Buena condición.
- No más largo que 50 pies.
- Calibre 12 o mayor.

**NOTA**

El tamaño del cable aumenta en la medida en que el número de calibre disminuye. Por ejemplo, se acepta un cable de 10 AWG y 8 AWG, mientras que NO se acepta un cable de 14 o 16 AWG.

**LUBRICACIÓN DE COMPRESOR**

**PRECAUCIÓN** No lo haga funcionar sin lubricante o con un lubricante inadecuado. Ingersoll Rand no se responsabiliza por la falla del compresor causada por el uso de un lubricante inadecuado.

**NOTA**

El compresor se envía sin aceite en el cigüeñal. Se provee una botella de aceite. Siga el procedimiento de llenado de aceite en este manual.

**NOTA**

Se inserta un enchufe plástico en la abertura de llenado de aceite. Retire este enchufe y reemplácelo con la varilla de aceite provista antes de hacer funcionar la unidad.

**LUBRICANTE SINTÉTICO.** Le recomendamos el lubricante sintético Ingersoll Rand All-Season Select.

**LUBRICANTES ALTERNATIVOS.** Puede utilizar un lubricante a base de petróleo que sea de primera calidad, no contenga detergentes, y que sólo contenga anticorrosivo, antioxidante y antiespuma como aditivos, con un punto de inflamación de 440°F (227°C) o mayor, y cuente con un punto de encendido de 650°F (343°C) o mayor.

Véase la tabla de viscosidad del lubricante de petróleo a continuación. La tabla sólo se utiliza como guía general. Las condiciones de funcionamiento de alta resistencia requieren viscosidades más pesadas. Consulte con su distribuidor las condiciones de funcionamiento a fin de recibir recomendaciones.

Temperatura Alrededor de la Unidad °F(°C)	Viscosidad a 100F (37,8°C) SUS (Centistokes)	Viscosidad Grado ISO (SAE)
<40 (4,4)	150 (32)	32 (10)
40 - 80 (4,4 - 26,7)	500 (110)	100 (30)
80 - 125 (26,7 - 51,0)	750 (165)	150 (40)

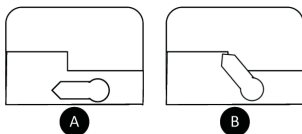
Si utiliza un lubricante para su compresor basado en petróleo en el encendido y decide utilizar un lubricante sintético Ingersoll

Rand All-Season Select posteriormente, las válvulas del compresor debe ser descarboxizadas por completo y el cigüeñal debe ser lavado antes de la conversión a otro lubricante.

## FUNCIONAMIENTO

### ANTES DEL FUNCIONAMIENTO

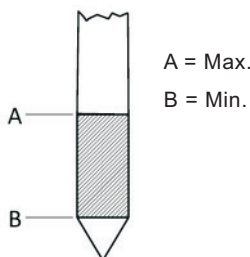
1. Asegúrese de que la fuente de energía a ser utilizada sea compatible con los requisitos de fuente de energía especificados en la placa del producto. Véase CABLEADO ELÉCTRICO Y CONEXIÓN A TIERRA para mayor información.
2. Asegúrese de que la palanca del interruptor de presión esté en la posición OFF (APAGADO). Si el enchufe se conecta a una salida mientras la perilla está en la posición ON/AUTO (ENCENDIDO/AUTO), el compresor comenzará a funcionar inmediatamente y puede causar lesiones graves.



A = ON/AUTO (ENCENDIDO/AUTO)

B = OFF (APAGADO)

3. Utilice un destornillador o herramienta similar para sacar la tapa de envío de plástico del orificio de llenado de aceite.
4. Vierta All-Season Select u otro aceite aprobado en el orificio de llenado de aceite hasta el nivel indicado en la varilla provista. Véase LUBRICACIÓN DEL COMPRESOR para mayor información.



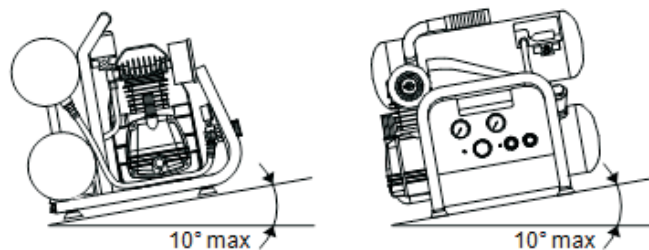
5. Instale la varilla en el orificio de llenado de aceite.
6. Si la salida de alimentación acepta sin ajustar el enchufe, la salida debe ser reparada. Contáctese con un electricista calificado para el servicio de reparación. El uso de una salida defectuosa puede causar sobrecalentamiento, y como consecuencia, un peligro serio.

⚠ **ADVERTENCIA** Drene el tanque para liberar la presión de aire antes de retirar la varilla.

⚠ **ADVERTENCIA** Asegúrese de que la ventilación de aire en la varilla esté libre de residuos. Si la ventilación de aire está bloqueada, se puede formar presión en el cigüeñal y causar daños al compresor y posibles lesiones personales.

8. Coloque el compresor en una superficie firme, nivelada en un área bien ventilada alejada de potenciales vapores explosivos, gases u otros agentes. Véase SELECCIÓN DE UNA UBICACIÓN para mayor información.

⚠ **PRECAUCIÓN** Para evitar daños en el compresor, no permita que la unidad se incline más de 10 cuando funciona.



⚠ **PRECAUCIÓN** Nunca opere en temperaturas por debajo de 32°F (0°C) o por sobre 104°F (40,0°C).

### INICIO

⚠ **ADVERTENCIA** Utilice protección ojos y auditiva adecuada durante su uso.

1. Inserte el enchufe en la salida y haga funcionar el compresor posicionando la palanca del interruptor de presión en ON/AUTO.

⚠ **PRECAUCIÓN** No detenga ni encienda el compresor mediante el uso del enchufe. Siempre utilice la palanca ubicada en el interruptor de presión.

El funcionamiento del compresor es automático y se controla con el interruptor de presión. El interruptor de presión detiene el compresor cuando la presión en el tanque de aire alcanza el nivel máximo y reinicia el compresor cuando la presión de aire disminuye al nivel de reinicio.

El motor incluye un interruptor de protección térmica que detiene al compresor si la temperatura se torna muy alta. Si el interruptor se desconecta, el compresor se reiniciará sólo luego de presionar el botón de reinicio. Véase PROTECCIÓN DE SOBRECARGA TÉRMICA para mayor información.

2. Ajuste la presión al nivel requerido mediante la posición de la perilla del regulador de presión en el sentido horario para incrementar la presión y en sentido inverso al horario para disminuir la presión.

Se provee un manómetro para indicar cuándo la presión requerida se alcanza.

⚠ **ADVERTENCIA** Verifique la capacidad de presión máxima del fabricante para clavadoras, engrampadoras y accesorios. La salida de presión del compresor debe regularse para nunca exceder la capacidad de presión máxima de las clavadoras, engrampadoras y accesorios.

### DETENCIÓN Y ALMACENAJE

1. Posicione el interruptor de presión en OFF.
2. Desenchufe el cable de la fuente de alimentación. Asegure el cable firmemente alrededor de la manija.
3. Lentamente abra la válvula de drenaje del tanque para vaciar al agua acumulada. Mantenga su cara y ojos alejados de la válvula de drenaje.

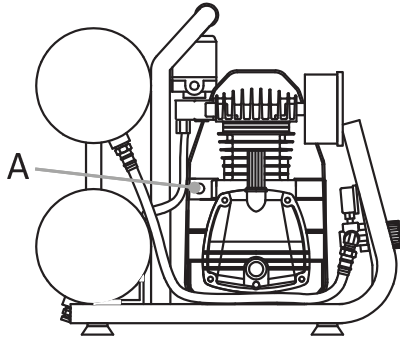
⚠ **ADVERTENCIA** Si el tanque tuviese corrosión, puede llegar a romperse. Si el tanque no está drenado, el agua producirá corrosión y debilitará el tanque de aire con el resultado de que puede haber riesgo de rotura de tanque de aire. Drene el tanque diariamente o luego de cuatro horas de uso.

4. Guarde el compresor en una localización limpia y seca.

## PROTECCIÓN DE SOBRECARGA TÉRMICA \_\_\_\_\_

El protector térmico funciona para parar el motor cuando ocurre un problema. Si el motor debiera detenerse durante el funcionamiento, proceda de la siguiente manera.

1. Posicione la palanca del interruptor de presión en la posición OFF y desconecte el enchufe del receptáculo.
2. Si el alargue no cumple con las especificaciones adecuadas, reemplácelo por un alargue adecuado. Si la capacidad de la alimentación eléctrica es insuficiente, incremente la capacidad de alimentación eléctrica para eliminar la causa de flujo excesivo de corriente (sobre-corriente).
3. Espere aproximadamente 5 minutos, luego presione el botón de reinicio del protector térmico.
4. Si el motor aún se detiene durante su funcionamiento, llame para que lo inspeccionen.



A = El protector térmico

## MANTENIMIENTO

⚠ **ADVERTENCIA** Desenchufe la unidad, libere la presión de aire del tanque y permita que la unidad se enfríe antes de realizar el mantenimiento.

⚠ **ADVERTENCIA** Utilice protección ojos y auditiva adecuada durante mantenimiento.

**NOTA** Todos los sistemas de aire comprimido contienen partes de mantenimiento (por ejemplo, aceite de lubricación, filtros, separadores) que se reemplazan periódicamente. Estas partes usadas pueden ser, o pueden contener, sustancias que sean reguladas o deban desecharse de conformidad con leyes y regulaciones locales, estatales y federales.

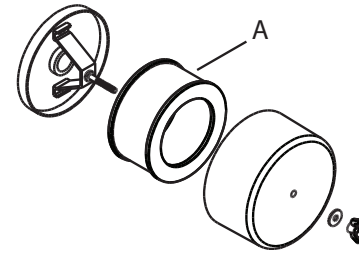
**NOTA** Tome nota de las posiciones y ubicaciones de las partes durante el desarmado para realizar el rearmado fácilmente. Las secuencias de armado y las partes ilustradas pueden diferir de su unidad particular.

**NOTA** Los trabajos de servicio no incluidos en esta sección deberán ser realizados por un representante de servicio autorizado Ingersoll Rand.

### CRONOGRAMA DE MANTENIMIENTO DE RUTINA

Diariamente o antes de cada funcionamiento	<ul style="list-style-type: none"> <li>● Verifique el nivel de lubricante. Llénelo en la medida necesaria.</li> <li>● Condensado del tanque receptor de drenaje. Abra la válvula de drenaje manual y recolecte y elimine el condensado según corresponda.</li> <li>● Verifique las vibraciones y ruidos extraños.</li> <li>● Asegúrese de que las protecciones y cubiertas estén en su lugar.</li> <li>● Asegúrese de que el área alrededor del compresor esté libre de trapos, herramientas, desechos y materiales inflamables o explosivos.</li> </ul>
Semanalmente/50 horas	<ul style="list-style-type: none"> <li>● Inspeccione el elemento de filtro de aire. Límpielo o reemplácelo si fuera necesario.</li> </ul>
Mensualmente	<ul style="list-style-type: none"> <li>● Inspeccione las pérdidas de aire. Salida a chorros de agua con jabón alrededor de las juntas durante el funcionamiento del compresor y observe la presencia de burbujas.</li> <li>● Inspeccione el ajuste de los tornillos y pernos. Ajústelos, si corresponde.</li> <li>● Limpie el exterior.</li> </ul>
6/100 *	<ul style="list-style-type: none"> <li>● Cambie el lubricante de petróleo mientras el cigüeñal esté caliente.</li> </ul>
12/300 *	<ul style="list-style-type: none"> <li>● Cambie el lubricante sintético mientras el cigüeñal esté caliente.</li> <li>● Reemplace el elemento de filtro.</li> </ul>

\* indica meses/horas de funcionamiento, lo que ocurra primero.



A = el filtro de admisión

⚠ **ADVERTENCIA** Nunca limpie el elemento de filtro con un solvente o líquido inflamable.

⚠ **PRECAUCIÓN** No lo haga funcionar sin el filtro de admisión.

**NOTA** Reemplace el elemento de filtro cuando se ensucie.

### DRENAJE DEL TANQUE

Drene ambos tanques de manera diaria o luego de 4 horas de uso. Abra las válvulas de drenaje e incline el compresor para vaciar el agua que se haya acumulado.

### CAMBIO DE ACEITE

⚠ **PRECAUCIÓN** No funcione sin el lubricante o con el lubricante inadecuado. La compañía no es responsable de la falta de compresor causada por la lubricación inadecuada.

⚠ **PRECAUCIÓN** La sobrecarga con aceite causará fallas prematuras del compresor. No sobrecargue.

1. Dentro de las primeras 50 horas de funcionamiento, reemplace completamente el aceite del elemento de bombeo. Desajuste la tapa de drenaje de aceite en la cubierta de entubado, drene todo el aceite y atornille nuevamente la tapa.
2. Vierta All-Season Select u otro aceite aprobado en el orificio de la varilla hasta el nivel indicado en la misma. Véase la preparación para Use la sección para las recomendaciones de uso de lubricantes.
3. Verifique el nivel de aceite del elemento de bombeo cada 50 horas o una vez por semana.
4. Cambie el aceite de conformidad con los siguientes intervalos:  
Aceite mineral = 100 horas o cada 6 meses.  
All Season Select = 300 horas o cada 12 meses.

### INSPECCIÓN DEL TANQUE

La vida útil de un tanque receptor de aire depende de varios factores inclusive, entre otros, condiciones de funcionamiento, condiciones del medio ambiente, y nivel de mantenimiento. El efecto exacto de estos factores en la vida útil del tanque es difícil de predecir; por consiguiente, Ingersoll Rand recomienda que programe una inspección certificada del tanque dentro de los primeros cinco años de servicio del compresor. Para realizar una inspección del tanque, contáctese con el proveedor de servicio autorizado más cercano.

Si el tanque no ha sido inspeccionado dentro de los primeros 10 años de servicio del compresor, el receptor debe dejarse de usar hasta que se apruebe la inspección. Deben reemplazarse los tanques que no reúnen los requisitos.

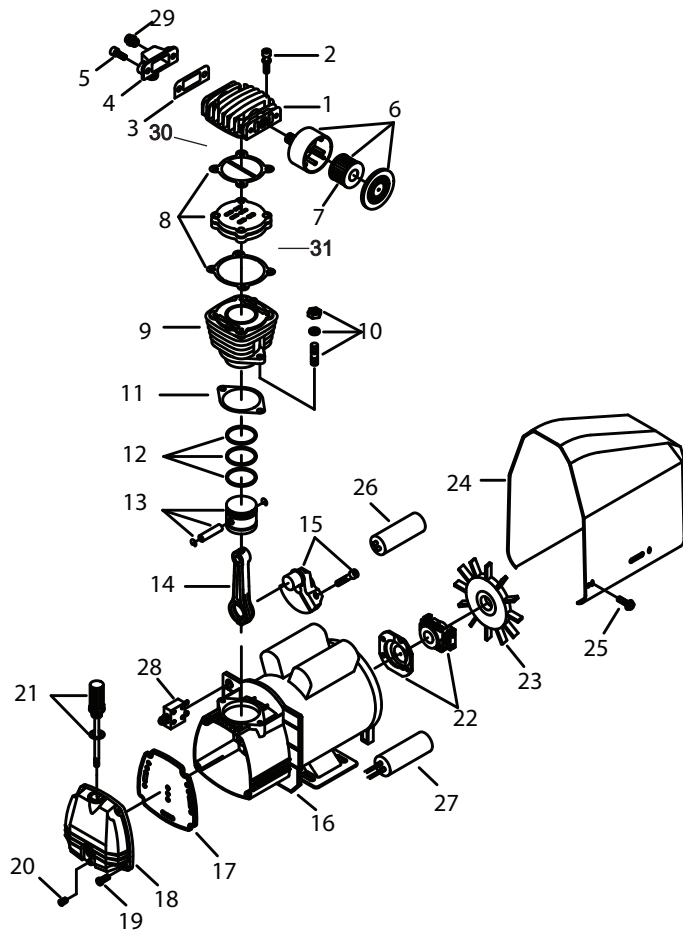
⚠ **ADVERTENCIA** En caso de que no se reemplace un tanque receptor de aire oxidado se puede producir una explosión o rotura del tanque receptor de aire, lo que puede causar un daño importante a su propiedad, lesiones graves o la muerte. Nunca modifique o repare el tanque. Obtenga el reemplazo de un centro de servicio.

### LIMPIEZA DEL FILTRO DE ADMISIÓN

Retire el filtro de admisión cada 50 horas o una vez por semana y limpie el interior del filtro de admisión y el elemento de filtro con aire comprimido. Gire la tuerca de mariposa en sentido contrario al horario para desarmar el filtro de admisión.

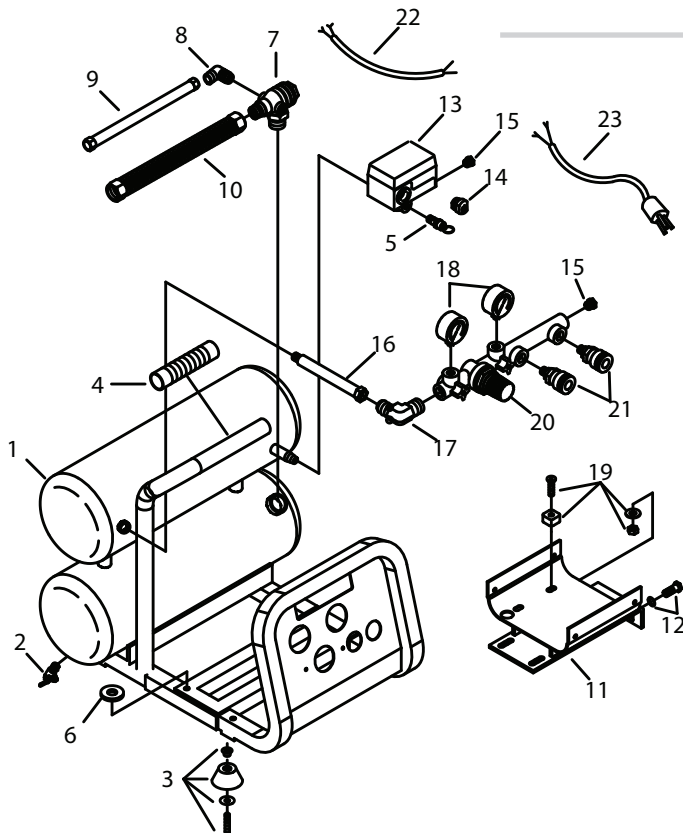


**PARTS LIST**



**BOMBA**

NO. DE REF.	NO DE PARTE	DESCRIPCIÓN	CANT.
1	23360068	HEAD - CYLINDER	1
2	23360084	SET - ALLEN BOLT	4
3	23360092	GASKET - EXHAUST ELBOW	1
4	23360100	ELBOW - EXHAUST	1
5	23360118	BOLT - ALLEN HEAD	2
6	23360126	FILTER - AIR INLET	1
7	23360134	ELEMENT - AIR INLET FILTER	1
8	23360142	ASSEMBLY - INLET & EXHAUST VALVE	1
9	23360159	CYLINDER	1
10	23360167	SET - DOUBLE HEAD SCREW	2
11	23360175	GASKET - CYLINDER	1
12	23360183	SET - PISTON RING	1
13	23360191	SET - PISTON	1
14	23360209	ROD	1
15	23360217	CRANKSHAFT & BALANCER	1
16	23360225	SET - MOTOR	1
17	23360233	GASKET - FRONT COVER	1
18	23360241	COVER - FRONT	1
19	23360258	BOLT	4
20	23360266	PLUG	1
21	23360274	SET - DIPSTICK	1
22	23360282	SET - CENTRIFUGAL SWITCH	1
23	23360290	COOLING FAN	1
24	23360308	SHROUD	1
25	23360316	BOLT	6
26	23360324	STARTING CAPACITOR	1
27	23360332	RUNNING CAPACITOR	1
28	23360340	THERMAL PROTECTOR	1
29	23360357	AUTOMATIC RELIEF VALVE	1
30	23369655	GASKET - HEAD	1
31	23369663	GASKET - VALVE ASSEMBLY/CYLINDER	1



**TANQUE**

NO. DE REF.	NO DE PARTE	DESCRIPCIÓN	CANT.
1	23360365	TANK - AIR	1
2	23360373	VALVE - BALL	1
3	23360381	SET - RUBBER PAD	4
4	23360399	GRIP	1
5	23360407	VALVE - PRESSURE RELIEF	1
6	23360431	BODY SEAT BLOCK	6
7	23360449	VALVE - CHECK	1
8	23360456	ELBOW - UNLOADING	1
9	23360464	TUBE - UNLOADING	1
10	23360472	EXHAUST SOFT TUBE	1
11	23360480	TANK SEATING	1
12	23360498	SET - HEXAGON BOLT	4
13	23360506	SWITCH - PRESSURE	1
14	23360514	BUSHING - STRAIN RELIEF	2
15	23360522	PLUG	3
16	23360530	TUBE - SOFT	1
17	23360548	ELBOW - EXHAUST	1
18	23360555	GAUGE - PRESSURE	2
19	23360563	SET - MOTOR FOOT BOLT	4
20	23360571	REGULATOR	1
21	23360589	COUPLER - QUICK CONNECT (FEMALE)	2
22	23360597	CABLE	1
23	23360605	CABLE - POWER	1

**JUEGOS DE REPARACIÓN**

DESCRIPCIÓN	NO. DE PARTE	CONTENIDOS DE LOS JUEGOS
JUEGO DE JUNTAS	23369739	CANT. (1) DE JUNTA DE CODO DE SALIDA — NO. DE PARTE 23360092 (NO. DE REF. 3) CANT. (1) DE JUNTA DE CILINDRO — NO. DE PARTE 23360175 (NO. DE REF. 11) CANT. (1) DE JUNTA DELANTERA DE CUBIERTA — NO. DE PARTE 23360233 (NO. DE REF. 17) CANT. (1) DE JUNTA DE CABEZAL — NO. DE PARTE 23369655 (NO. DE REF. 30) CANT. (1) DE ENSAMBLE DE VÁLVULA/JUNTA DE CILINDRO — NO. DE PARTE 23369663 (NO. DE REF. 31)
JUEGO DE CONJUNTO DE VÁLVULA	23369754	CANT. (1) DE CONJUNTO DE VÁLVULA DE ADMISIÓN Y ESCAPE PARTE — NO. DE PARTE 23360142 (NO. DE REF. 8) CANT. (1) DE JUNTA DE CABEZAL — NO. DE PARTE 23369655 (NO. DE REF. 30) CANT. (1) DE ENSAMBLE DE VÁLVULA/JUNTA DE CILINDRO — NO. DE PARTE 23369663 (NO. DE REF. 31)
JUEGO DE AROS DE PISTÓN	23369762	CANT. (1) DE JUNTA DE CILINDRO — NO. DE PARTE 23360175 (NO. DE REF. 11) CANT. (1) DE JUEGO DE ARO DE PISTÓN — NO. DE PARTE 23360183 (NO. DE REF. 12) CANT. (2) DE JUNTA DE CABEZAL — NO. DE PARTE 23369655 (NO. DE REF. 30) CANT. (2) DE ENSAMBLE DE VÁLVULA/JUNTA DE CILINDRO — NO. DE PARTE 23369663 (NO. DE REF. 31)
CONJUNTO DE REEMPLAZO DE BOMBA	23369747	NO. DE REF. 1-31

**ALL SEASON SELECT LUBRICANTES SINTÉTICOS**

DESCRIPCIÓN	NO. DE PARTE
BOTELLA DE 0,5 LITROS	97338131

#### GARANTÍA

Ingersoll-Rand Company garantiza que el equipo que se fabrique y entregue según este documento estará libre de defectos tanto de materiales como de mano de obra durante un período de doce (12) meses desde la fecha de entrega al consumidor. Si dentro de dicho período se informa por escrito de algún tipo de incumplimiento de las condiciones de esta garantía, la Compañía a su discreción, corregirá dicho incumplimiento reparando el equipo en forma apropiada, o proporcionará un reemplazo F.O.B. en el punto de embarque, siempre y cuando el comprador haya instalado, mantenido y operado dicho equipo en conformidad con prácticas industriales correctas y haya cumplido con las recomendaciones específicas de la Compañía. Los accesorios o equipos provistos por la Compañía pero fabricados por otros mantendrán todas las garantías traspasadas a Ingersoll-Rand Company Limited por su fabricante y que puedan ser transferidas al Comprador. La Compañía no se hará responsable de reparaciones, reemplazos o ajustes a los Equipos o de ningún tipo de costo por mano de obra en que incurra el Comprador que no cuenten con la previa autorización por escrito de la Compañía.

La Compañía no otorga ningún tipo de garantía de cumplimiento, a menos que se declare específicamente dentro de sus propuestas y esta garantía excluye específicamente los efectos de la corrosión, erosión y el desgaste normal. En aquellos casos donde expresamente se incluyan garantías de cumplimiento, la obligación de la Compañía será efectuar correcciones en la manera y durante el plazo estipulado más arriba.

LA COMPAÑÍA NO HACE NINGÚN OTRO TIPO DE DECLARACIÓN, EXPRESA O IMPLÍCITA, SALVO AQUELLA DE PROPIEDAD Y POR ESTE MEDIO SE DECLINAN TODAS LAS GARANTÍAS IMPLÍCITAS DE COMERCIABILIDAD Y APTITUD PARA UN FIN EN PARTICULAR.

La corrección de los incumplimientos de la Compañía, sean patentes o latentes, en la forma y durante el plazo estipulado más arriba, deberán constituir el cumplimiento de todas las responsabilidades de la Compañía y sus Distribuidores, para aquellos incumplimientos respecto a o que surjan de dichos Equipos.

#### LIMITACIÓN DE RESPONSABILIDADES

LOS RECURSOS DEL COMPRADOR ESTIPULADOS EN ESTE DOCUMENTO SON EXCLUSIVOS Y LA RESPONSABILIDAD TOTAL DE LA COMPAÑÍA, SUS DISTRIBUIDORES Y PROVEEDORES, CON RESPECTO AL CONTRATO O EQUIPOS Y SERVICIOS PROVISTOS, EN RELACIÓN CON LA EJECUCIÓN O SU FALTA DE CUMPLIMIENTO O QUE SURJAN DE LA FABRICACIÓN, VENTA, ENTREGA, INSTALACIÓN, REPARACIÓN O DIRECCIÓN TÉCNICA CUBIERTA O PROVISTA BAJO UN CONTRATO, YA SEA QUE SE BASEN EN UN CONTRATO, GARANTÍA, NEGLIGENCIA, INDEMNIZACIÓN, RESPONSABILIDAD LIMITADA U OTRO, NO PODRÁN EXCEDER EL PRECIO DE COMPRA DE LA UNIDAD O EQUIPO SOBRE LA CUAL SE BASA DICHA RESPONSABILIDAD.

LA COMPAÑÍA, SUS DISTRIBUIDORES Y SUS PROVEEDORES NO SERÁN BAJO NINGUNA CIRCUNSTANCIA RESPONSABLES ANTE EL COMPRADOR, CUALQUIER SUCESOR O BENEFICIARIO O CESIONARIO DEL CONTRATO, POR NINGÚN DAÑO INDIRECTO, ACCIDENTAL, EMERGENTE, ESPECIAL O PUNITIVO QUE SURJA DE ESTE CONTRATO O DE CUALQUIER INCUMPLIMIENTO DE ÉL, O DE CUALQUIER DEFECTO, FALLA O MAL FUNCIONAMIENTO DEL EQUIPO, YA SEA QUE SE BASE DICHO DAÑO O NO EN LA FALTA DE USO, LA PÉRDIDA DE INGRESOS O UTILIDADES, INTERESES, PÉRDIDA DE BUENA REPUTACIÓN, CESE DE TAREAS, DAÑO SOBRE OTROS BIENES, PÉRDIDAS PRODUCTO DEL CIERRE O LA FALTA DE FUNCIONAMIENTO, AUMENTO EN LOS COSTOS DE OPERACIÓN, COSTO DE LA COMPRA DE ENERGÍA DE REEMPLAZO O RECLAMOS DE LOS COMPRADORES O CLIENTES DEL COMPRADOR POR LA INTERRUPCIÓN DEL SERVICIO, SE ORIGINE O NO DICHA PÉRDIDA O DAÑO EN EL CONTRATO, GARANTÍA, NEGLIGENCIA, INDEMNIZACIÓN, RESPONSABILIDAD ABSOLUTA U OTRO.

**Guarde su recibo para las demandas de la garantía.**

**¿Preguntas? Piezas? Servicio?**

**1-800 AIR SERV**





# Manuel de l'utilisateur

## pour le modèle P1IU-A9 Compresseur d'air portatif

INFORMATIONS IMPORTANTES: VEUILLEZ LIRE ET SUIVRE LPRÉSENTE NOTICE ET LA CONSERVER À TITRE DE RÉFÉRENCE.

### SÉCURITÉ

#### DÉFINITIONS

- ⚠ **DANGER** OCCASIONNERA la MORT, DES BLESSURES GRAVES ou des dommages importants à la propriété.
- ⚠ **AVERTISSEMENT** PEUT occasionner LA MORT, DES BLESSURES GRAVES ou des dommages importants à la propriété.
- ⚠ **MISE EN GARDE** POURRA ou PEUT occasionner DES BLESSURES MINEURES ou des dommages à la propriété.

#### MESURES DE SÉCURITÉ GÉNÉRALES

⚠ **DANGER**

##### ADMISSION D'AIR.

- Peut renfermer du monoxyde de carbone ou autres contaminants. Pourra occasionner des blessures graves ou la mort. Les compresseurs d'air de Ingersoll-Rand ne sont pas conçus, destinés ou approuvés pour l'inhalation humaine. L'air comprimé ne doit pas être utilisé pour des applications d'air respirable à moins d'être traité conformément aux codes et lois applicables.
- Ne PAS inhaler directement l'air comprimé.
- Respecter les consignes de sécurité sur les étiquettes du réservoir avant de vaporiser des matériaux comme la peinture, insecticide ou herbicide.
- Porter un masque filtrant et des lunettes de sécurité pendant la vaporisation.

⚠ **AVERTISSEMENT**

##### VAPEURS INFLAMMABLES

- Ne PAS faire fonctionner en présence de liquides ou de vapeurs inflammables ou explosifs comme l'essence, le gaz naturel, les solvants.

##### TENSION DANGEREUSE. Peut occasionner des blessures graves ou la mort.

- Couper l'alimentation électrique et évacuer la pression du réservoir avant de procéder à la réparation. Bloquer et étiqueter l'appareil.
- Le compresseur doit être branché à un circuit de mise à la terre adéquat. Voir les instructions de mise à la terre du manuel.
- Ne PAS faire fonctionner le compresseur dans des conditions humides. Ranger à l'intérieur.

##### PIÈCES MOBILES. Peuvent occasionner des blessures graves.

- Ne PAS faire fonctionner si les protecteurs ne sont pas installés.
- L'appareil peut se mettre en marche automatiquement. Couper l'alimentation électrique avant de procéder à la réparation. Bloquer et étiqueter l'appareil.

##### SURFACES CHAUDES.

- Ne PAS toucher la pompe du compresseur, le moteur ou le tubage d'évacuation pendant ou peu de temps après son utilisation. Ces pièces sont chaudes.

##### AIR À HAUTE PRESSION.

- Ne PAS retirer, régler, dériver, changer, modifier ou substituer les soupapes de vidange de sécurité ou autre dispositif connexe de réglage de pression.
- Ne PAS diriger le flux d'air vers le corps.
- Les réservoirs rouillés peuvent exploser et occasionner des blessures graves ou la mort. Purger le réservoir tous les jours ou après chaque utilisation. Le robinet de vidange est situé au bas du réservoir.
- Ne PAS soumettre le réservoir d'air comprimé ou vaisseau semblable à une pression supérieure aux limites désignées.
- Ne PAS utiliser un réservoir d'air comprimé ou vaisseau semblable qui n'est pas conforme aux exigences de conception du compresseur. Communiquer avec votre distributeur pour obtenir de l'aide.
- Ne PAS forer, souder ou alterner de quelque façon un réservoir d'air comprimé ou vaisseau semblable.
- Ne PAS utiliser d'outils pneumatiques ou accessoires sans avoir préalablement déterminé la pression maximale recommandée pour cet équipement.
- Ne PAS diriger les buses d'air ou vaporisateurs en direction des gens.

⚠ **MISE EN GARDE**

##### RISQUE D'ÉCLATEMENT.

- Utiliser UNIQUEMENT les pièces de traitement d'air destinées pour une pression non inférieure à la pression de service maximale de l'appareil.

##### DÉBRIS DE VOL. Peut causer des dommages sérieux aux yeux.

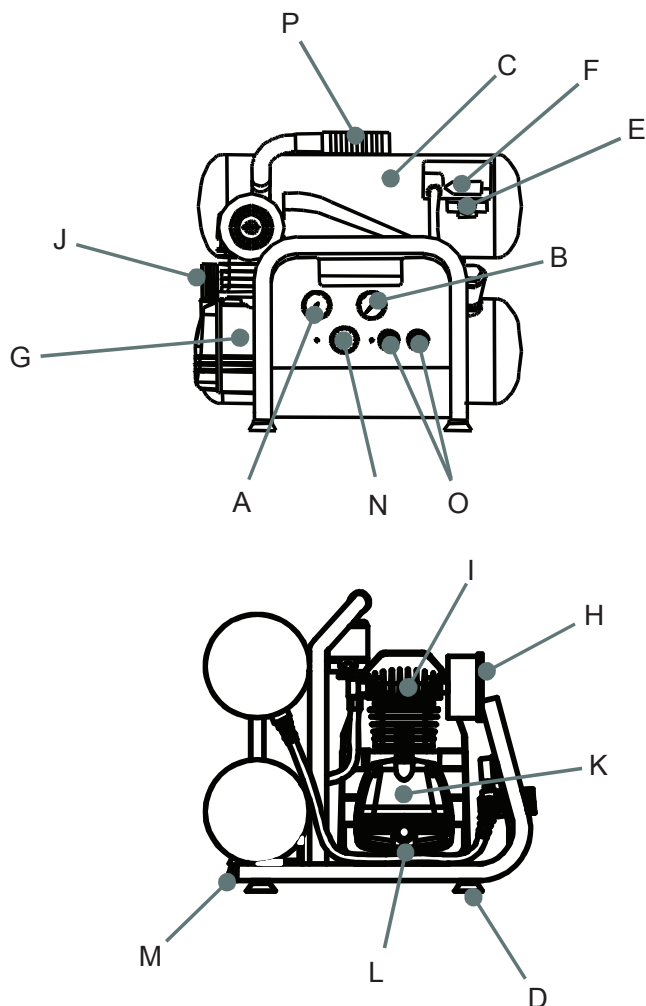
- Protection d'oeil d'usage à tout moment.

##### RISQUE DE BRUIT. Peut causer des dommages sérieux aux oreilles.

- Protection auditive d'usage à tout moment.

NOTE

- Ne PAS retirer la peinture ou défigurer les étiquettes. Remplacer toutes les étiquettes manquantes.



- A MANOMÈTRE DU RÉSERVOIR  
 B JAUGE DE PRESSION DE LIGNE  
 C RÉSERVOIR  
 D BUTOIR EN CAOUTCHOUC  
 E SOUPAPE DE DÉCOMPRESSION  
 F COMMUTATEUR MARCHE/ARRÊT  
 G MOTEUR/POMPE  
 H FILTRE D'ASPIRATION  
 I CYLINDRE  
 J JAUGE D'HUILE  
 K COUVERCLE DE POMPE  
 L BOUCHON DE VIDANGE D'HUILE  
 M DRAIN DU RÉSERVOIR  
 N RÉGULATEUR DE PRESSION  
 O RACCORD RAPIDE  
 P POIGNÉE

## NOTICE TECHNIQUE

Moteur	Moteur asynchrone monophasé	
Source d'alimentation	Monophasé, 120 V, CA, 60 Hz	
Courant électrique	15 A	
Capacité du réservoir	15,1 L (4 gals)	
Pression maximale	135 psi (9,3 bars)	
Pression d'air délivrée	@ 90 PSI (6,2 bars)	4.3 CFM (125 l/min)
	@ 135 PSI (9,3 bars)	3.2 CFM (90 l/min)
Lubrification	Huile	

## PRÉPARATION POUR L'UTILISATION

### CHOIX D'UN EMPLACEMENT

**GÉNÉRAL.** Choisir un endroit propre, sec, bien éclairé, accessible et spacieux pour permettre la ventilation et l'apport d'air frais. Placer l'appareil à au moins 30 cm (12 po) des murs. Assurer adéquatement le niveau de l'appareil. Afin d'éviter les dommages au compresseur d'air, ne PAS incliner l'appareil à plus de 10 degrés vertical et horizontal.

**TEMPÉRATURE.** L'échelle de température idéale de fonctionnement se situe entre 0 et 37,8 °C (32 à 100 °F).

⚠ **MISE EN GARDE** Ne JAMAIS faire fonctionner à des températures inférieures à -6,6 °C (20 °F) ou supérieures à 51 °C (125 °F).

**ENDROITS HUMIDES.** Les utilisations fréquentes dans des endroits humides peuvent entraîner la formation d'humidité sur la pompe nue et produire l'épaississement du lubrifiant et user prématurément les pièces mobiles. L'humidité excessive se formera spécifiquement si l'appareil est placé dans un endroit non chauffé étant ainsi exposé aux grandes variations de température. L'humidité excessive se distingue par deux indices : une condensation à l'extérieur de la pompe nue pendant le refroidissement et l'apparence laiteuse de l'essence contenue dans le lubrifiant du compresseur. Il est possible de prévenir la formation de moisissure de la pompe nue en augmentant la ventilation ou par un fonctionnement prolongé.

### ACCESSOIRES

Suivre les directives suivantes lors du raccordement d'outils ou d'accessoires au compresseur. Communiquer avec le service à la clientèle pour obtenir plus d'information.

⚠ **MISE EN GARDE** Tous les matériaux de tubage en aval et les composants du système doivent être compatibles avec l'utilisation possible d'un lubrifiant synthétique 4 saisons d'ingersoll-Rand. Voir la liste suivante de comptabilité des matériaux. Communiquer avec le service à la clientèle s'il y a présence de matériaux incompatible du système ou une présence de matériaux non répertoriés sur la liste.

#### Recommandés :

Viton, Téflon, résine époxy (verre-époxy), alkyde résistant aux huiles, fluorosilicone hydrocarbures fluorés, polysulfides, uréthane à 2 composants, nylon, Delrin, Celcon, caoutchouc à forte teneur en nitrile (Buna N. NBR contenant plus de 36 % d'acrylonitrile), polyuréthane, polyéthylène, épichlorhydrine du glycérol, polyacrylate, mélamine, polypropylène, dérivés phénoliques, époxy, alkydes modifiés  
 ( indique la marque déposée de Dupont)

#### Non recommandés :

Néoprène, caoutchouc naturel, caoutchouc butadiène-styrène, peinture acrylique, laque, vernis, polystyrène, polychlorure de vinyle, ABS, polycarbonate, acétate de cellulose caoutchouc à faible teneur en nitrile (Buna N. NBR contenant moins de 36 % d'acrylonitrile), EPDM, éthylène-acétate de vinyle latex, caoutchouc éthylène-propylène, acryliques, polysulfone, plastique styrène/acrylonitrile (San), butyle

**EXIGENCES GÉNÉRALES.** Le tubage, adaptateurs, réservoir, etc. doivent être homologués sécuritaires pour la pression de service maximale de l'appareil. Utiliser la soudure forte des tuyaux en acier fileté ou en cuivre, adaptateurs en fonte et boyaux homologués sécuritaires pour la pression d'échappement et la température des appareils. NE PAS UTILISER DE PLASTIQUE FAIT DE POLYCHLORURE DE VINYLE (PVC). Utiliser un calfeutrage de filets sur toute la tuyauterie et bien

serrer les joints afin de prévenir toute fuite d'air.

**REFOULEMENT DE CONDENSAT.** Le condensat doit être rejeté conformément aux lois municipales, provinciales et fédérales et aux règlements.

**NOTE**

Tous les systèmes d'air comprimé génèrent un condensat qui s'accumule dans tous les conduites d'échappement (ex. : réservoirs, filtres, collecteurs, refroidisseurs finaux, sécheurs). Ce condensat renferme de l'huile de lubrification et des substances pouvant être réglémentées et doivent être jetées conformément aux lois municipales, provinciales et fédérales et aux règlements.

## CÂBLAGE ÉLECTRIQUE ET MISE À LA TERRE

**AVERTISSEMENT** Toute installation électrique et les révisions du système électrique doivent être effectuées par un électricien qualifié et informé des lois municipales, provinciales et fédérales et règlements.

**NOTE**

Cet appareil doit être branché à un système de câblage métallique fixe avec mise à la terre.

**NOTE**

Ingersoll-Rand recommande l'utilisation d'une prise murale de 20 A destinée à l'usage exclusif du compresseur d'air. Une prise murale de 15 A peut être utilisée pour certaines applications.

**GÉNÉRAL.** Les caractéristiques nominales du moteur indiquées sur la plaque signalétique du moteur et l'alimentation électrique doivent être compatibles avec les caractéristiques de tension, de phases et de cycles.

**CALIBRE DU CÂBLAGE.** Le câblage électrique entre la source l'alimentation électrique et le moteur électrique varient selon la puissance (ch) du moteur. Les fils conducteurs doivent posséder le calibre requis pour prévenir les chutes de tension excessives lors de la mise en marche. Des renseignements concernant le choix du calibre des fils et l'assujettissement des raccordements devraient avoir été fournis avec le moteur. Autrement, se reporter au Code national de l'électricité ou aux autres lois municipales, provinciales, fédérales et aux règlements. Si d'autres équipements électriques sont branchés sur le même circuit que le compresseur, il faut tenir compte de la charge électrique totale lors de la sélection du calibre des fils. **NE PAS UTILISER DE CÂBLE DE MOINDRE CALIBRE.**

**FUSIBLES.** Se reporter au Code national de l'électricité afin de déterminer les caractéristiques nominales requises du fusible. Au moment de choisir les fusibles, prendre en compte le fait que le courant de démarrage d'un moteur électrique est supérieur au courant de pleine charge. L'usage de fusibles à retardement ou à fusion temporisée est recommandé.

**MISE À LA TERRE.** Cet appareil est doté d'un cordon d'alimentation avec mise à la terre qui doit être branché dans une prise murale avec mise à la terre. La fiche doit être insérée dans la prise préalablement installée et mise à la terre conformément avec les codes et règlements municipaux. La configuration de la prise doit être identique à la fiche. **NE PAS UTILISER D'ADAPTATEUR**

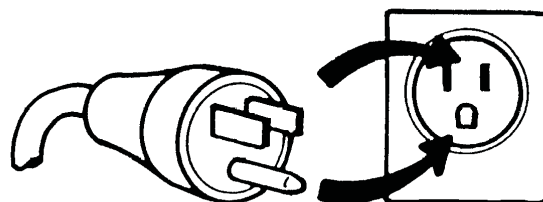
**AVERTISSEMENT** La mise à la terre diminue le risque d'électrocution lors d'un court-circuit en fournissant un chemin pour la fuite du courant. Cet appareil doit être mis à la terre adéquatement.

**DANGER**

Une installation incorrecte de la mise à la terre de la prise peut provoquer un risque d'électrocution. Si une réparation ou un remplacement de cordon ou de prise est nécessaire, ne PAS brancher le fil de mise à la terre à une cosse. Le fil isolé est identifié par une gaine verte, marquée ou non de lignes jaunes définissant le fil de mise à la terre.

Vérifier auprès d'un électricien qualifié ou d'un technicien de service si les instructions de mise à la terre ne sont pas entièrement comprises ou si vous avez des doutes à propos du branchement adéquat de la mise à la terre. Ne PAS modifier la fiche fournie; Si la fiche ne s'insère pas dans la prise, demander à un technicien qualifié d'installer une prise murale adéquate.

Ce produit est conçu pour être utilisé avec un circuit de 115 V nominal et muni d'une prise avec mise à la terre qui ressemble à l'illustration ci-dessous. S'assurer que cet appareil est branché à une prise possédant une configuration identique à la fiche. Aucun adaptateur ne doit être utilisé avec cet appareil.



**RALLONGES.** Il est préférable d'utiliser un boyau d'air supplémentaire à une rallonge électrique pour éviter la chute de tension et une perte de puissance du moteur et prévenir la surchauffe. Si une rallonge doit être utilisée, il faut s'assurer qu'elle ont conformes aux exigences suivantes:

- Cordon à trois brins avec fiche à trois lames dont une pour la mise à la terre et une prise à trois fentes qui acceptera la fiche de l'appareil.
- En bonne condition.
- Longueur inférieure à 15,2 m (50 pi).
- Calibre 12 ou plus élevé.

**NOTE**

La dimension du câble augmente alors que le calibrage diminue. Par exemple, un gabarit de câble (AWG) de 10 et 8 est acceptable alors qu'un gabarit de 14 ou 16 n'est PAS recommandé.

## LUBRIFICATION DU COMPRESSEUR

**MISE EN GARDE** Ne PAS faire fonctionner sans lubrifiant ou un lubrifiant inadéquat. Ingersoll-Rand n'est pas responsable des bris de compresseur provoqués par l'utilisation d'un lubrifiant inadéquat.

**NOTE**

Le carter du moteur ne contient pas d'huile au moment de la livraison du compresseur. Un contenant d'huile est fourni. Suivre les directives de remplissage d'huile de ce manuel.

**NOTE**

Un bouchon de plastique est inséré dans l'orifice de remplissage d'huile. Retirer ce bouchon et placez-le avec la jauge d'huile fournie avant de faire fonctionner l'appareil.

**LUBRIFIANT SYNTHÉTIQUE.** Nous recommandons le lubrifiant synthétique 4 saisons Sélect de Ingersoll-Rand.

**AUTRES LUBRIFIANTS.** Vous pouvez utiliser un lubrifiant à base de pétrole de grande qualité sans détergents, ne renfermant que des agents antirouille, anti-oxydation et agents antimoussants, un point d'étincelle de 227 °C (440 °F) ou plus élevé, et un point de combustion spontanée de 343 °C (650 °F) ou plus élevé.

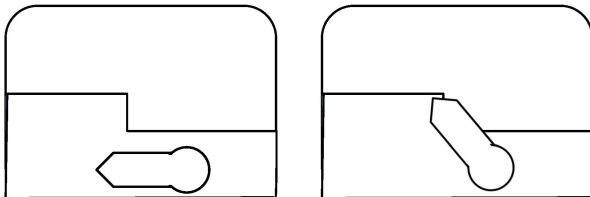
Voir le tableau de viscosité du lubrifiant à base de pétrole ci-dessous. Ce tableau est un guide général uniquement. Les conditions intenses de fonctionnement nécessitent une viscosité plus importante. Consulter votre détaillant pour obtenir tous les renseignements relatifs à des conditions d'opérations spécifiques.

Température Autour de l'appareil °F(°C)	Viscosité à 37,8 °C (100 °F) SUS (Centistokes)	Grade Viscosité ISO (SAE)
<40 (4.4)	150 (32)	32 (10)
40 - 80 (4.4 - 26.7)	500 (110)	100 (30)
80 - 125 (26.7 - 51.0)	750 (165)	150 (40)

Si vous utilisez un lubrifiant pour compresseur à base de pétrole à la mise en marche et que vous choisissez de poursuivre l'opération avec un lubrifiant synthétique 4 saisons Sélect d'Ingersoll-Rand, vous devrez nettoyer tout le carbone des soupapes du compresseur et vider le carter du moteur avant de procéder à la conversion.

**FONCTIONNEMENT****AVANT LA MISE EN MARCHÉ**

1. S'assurer que la source d'alimentation électrique est utilisée conformément avec les exigences spécifiées sur la plaque signalétique de l'appareil. Voir CÂBLAGE ÉLECTRIQUE ET MISE À LA TERRE pour plus d'information.
2. S'assurer que le levier du pressostat est en position OFF. Si la fiche est branchée à une prise murale alors que le bouton est en position ON/AUTO, le compresseur se mettra en marche immédiatement et pourrait causer des blessures graves.



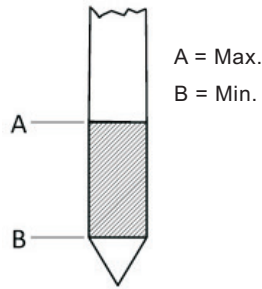
A

B

A = "ON/AUTO"

B = "OFF"

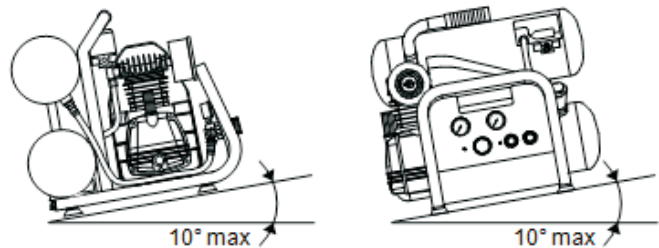
3. Utiliser un tournevis ou un outil semblable pour retirer le capuchon de plastique de protection de l'orifice de remplissage d'huile.



A = Max.

B = Min.

5. Installer la jauge dans l'orifice de remplissage d'huile.
  6. Si le branchement de la fiche à la prise murale est lâche, la prise doit être réparée. Faire réparer en communiquant avec un électricien qualifié. L'utilisation d'une prise défectueuse peut provoquer la surchauffe et occasionner un risque.
- ⚠ AVERTISSEMENT** Évacuer l'air du réservoir pour diminuer la pression avant de retirer la jauge.
- ⚠ AVERTISSEMENT** S'assurer que l'évent de la jauge est libre de tous débris. Si l'évent est bouché, un bâti de pression peut se faire dans le carter du moteur et occasionner des dommages au compresseur et une possibilité de blessures corporelles.
7. Placer le compresseur sur une surface ferme et à niveau dans un endroit bien aéré et loin des vapeurs, gaz ou autres agents potentiellement explosifs. Voir CHOISIR UN EMPLACEMENT pour plus d'information.
- ⚠ MISE EN GARDE** Pour éviter les dommages au compresseur, sécuriser l'appareil pour éviter une inclinaison de plus de 10 degrés pendant le fonctionnement.



- ⚠ MISE EN GARDE** Ne JAMAIS faire fonctionner à des températures inférieures à 0 °C (32 °F) ou supérieures à 40 °C (104 °F).

**MISE EN MARCHÉ**

- ⚠ AVERTISSEMENT** Porter des lunettes de sécurité pendant et des protecteurs de l'audition.
1. Brancher la fiche dans la prise et mettre le compresseur en marche en tournant le levier du pressostat en position ON/AUTO.
- ⚠ MISE EN GARDE** Ne PAS mettre en marche ou arrêter l'appareil en tirant sur la fiche. Utiliser toujours le levier situé sur le pressostat.

Le fonctionnement du compresseur est mécanique et est commandé par le pressostat. Le pressostat arrête le compresseur lorsque la pression d'air du réservoir atteint le niveau maximal et redémarre le compresseur lorsque la pression atteint le niveau de redémarrage.

Le moteur est doté d'un thermorupteur de protection qui arrête le



compresseur lorsque la température est trop élevée. Si le rupteur s'enclenche, le compresseur pourra redémarrer en réinitialisant le bouton. Voir THERMORUPTEUR pour plus d'information.

- Régler la pression au niveau désiré en tournant le bouton de régulateur dans le sens des aiguilles d'une montre pour augmenter la pression et dans le sens contraire des aiguilles d'une montre pour diminuer la pression.

La pression de service requise est indiquée sur le manomètre fourni.

- ⚠ AVERTISSEMENT** Vérifier la pression nominale maximale du fabricant pour les cloueuses, agrafeuses et autres accessoires. La pression de refoulement du compresseur doit être ajustée de manière à ne jamais dépasser la pression nominale maximale des cloueuses, agrafeuses et autres accessoires.

## ARRÊT ET STOCKAGE

- Tourner le levier du pressostat en position OFF.
- Débrancher le cordon de la source d'alimentation.
- Ouvrir doucement le robinet de vidange manuelle pour évacuer toute l'eau accumulée. Garder le visage et les yeux éloignés du robinet de vidange.

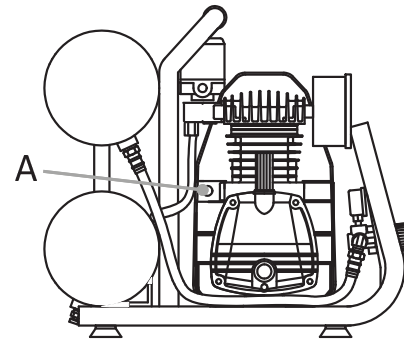
- ⚠ AVERTISSEMENT** Un risque d'éclatement du réservoir peut survenir si ce dernier est rouillé. Si l'évent réservoir n'est pas drainé, l'eau peut provoquer la rouille et affaiblir le réservoir et provoquer un risque de rupture du réservoir d'air. Vidanger le réservoir quotidiennement ou après quatre heures d'utilisation.

- Stockez le compresseur dans un endroit propre et sec.

## THERMORUPTEUR

Le dispositif de surcharge thermique est utilisé pour arrêter le moteur en cas de problème. Si le moteur s'arrête pendant le fonctionnement, effectuer les étapes suivantes.

- Tourner le levier du pressostat en position OFF et débrancher la fiche de la prise murale.
- Si la rallonge n'est pas conforme aux caractéristiques, remplacez-la par une rallonge conforme. Si la capacité énergétique est insuffisante, augmenter la capacité d'alimentation pour éliminer la cause du flux de tension excessif (surintensité).
- Attendre environ 5 minutes puis appuyer sur le bouton de réinitialisation du thermorupteur.
- Appeler le service à la clientèle si le moteur continue de s'arrêter pendant le fonctionnement.



A = Thermorupteur

## ENTRETIEN

- ⚠ AVERTISSEMENT** Débrancher l'appareil, évacuer la pression d'air du réservoir et permettre le refroidissement de l'appareil avant d'effectuer l'entretien.

- ⚠ AVERTISSEMENT** Porter des lunettes de sécurité pendant et des protecteurs de l'audition.

### NOTE

Tous les systèmes d'air comprimé renferment des pièces (ex. : huile de lubrification, filtres, séparateurs) qui doivent être remplacées périodiquement. Ces pièces usagées peuvent renfermer des substances réglementées et doivent être jetées conformément aux lois municipales, provinciales et fédérales et aux règlements.

### NOTE

Noter les positions et emplacements de ces pièces pendant le démontage et vous permettre un ré-assemblage plus facile. Les séquences d'assemblage et les pièces illustrées peuvent être différentes de votre appareil.

### NOTE

Toutes les opérations de service non décrites dans ce chapitre doivent être exécutées par un représentant de service autorisé Ingersoll Rand.

## CALENDRIER D'ENTRETIEN DE ROUTINE

Quotidiennement  
ou avant chaque  
utilisation

- Vérifier le niveau du lubrifiant. Remplir au besoin.
- Vider le condensat du réservoir. Ouvrir le robinet de vidange manuelle, recueillir et jeter le condensat conformément aux exigences.
- Vérifier le bruit inhabituel et la vibration.
- S'assurer que les gardes-courroies et couvercles sont installés et sécuritaires.
- Assurer la zone avoisinante du compresseur en éloignant les tapis, outils, débris et matériaux inflammables et explosifs.

Entretien  
hebdomadaire/50  
heures

- Inspecter l'élément du filtre à air. Nettoyer et remplacer au besoin.

Entretien mensuel

- Inspecter et rechercher les fuites d'air. Vaporiser de l'eau savonneuse autour des joints pendant le fonctionnement du compresseur et rechercher les bulles.
- Vérifier le serrage des vis et boulons. Serrer au besoin.
- Nettoyage externe.

6/100 \*

- Renouveler le lubrifiant à base de pétrole lorsque le carter du moteur est tiède.

12/300 \*

- Renouveler le lubrifiant synthétique lorsque le carter du moteur est tiède.
- Remplacer l'élément du filtre.

\* Indique les mois ou heures de fonctionnement, selon l'échéance du premier.

## NOTE

Remplacer l'élément du filtre lorsqu'il est sale.

## VIDANGE DU RÉSERVOIR

Drainer les deux réservoirs à tous les jours ou après 4 heures d'utilisation. Ouvrir le robinet de vidange et incliner le compresseur pour vider l'eau accumulée.

## VIDANGE D'HUILE

**⚠ MISE EN GARDE** Un trop-plein d'huile peut occasionner un bris prématuré du compresseur. Ne PAS trop remplir.

**⚠ MISE EN GARDE** Le remplissage excessif avec de l'huile causera l'échec de compresseur prématuré. Ne remplissez pas au-dessus du niveau.

1. Dès que le compresseur atteint 50 heures d'utilisation, remplacer complètement l'huile de l'élément de pompage. Dévisser le capuchon de la vidange d'huile du couvercle de pompe, vider toute l'huile et revisser le capuchon en place.
2. Verser l'huile All Season Select ou toute autre huile approuvée dans l'orifice de la jauge jusqu'au niveau indiqué sur la jauge. Voir Préparation pour l'utilisation pour les recommandations de lubrifiant.
3. Vérifier le niveau d'huile de l'élément de pompage toutes les 50 heures ou une fois la semaine.
4. Changer l'huile conformément aux périodes indiquées  
Huile minérale : 100 heures ou tous les six mois.  
All Season Select : 300 heures ou tous les douze mois.

## INSPECTION DU RÉSERVOIR

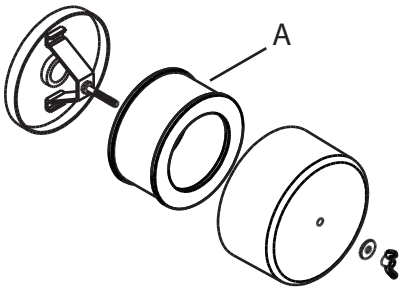
La durée de vie d'un réservoir varie selon plusieurs facteurs, incluant mais sans y être limité, aux conditions de fonctionnement, les environnements ambiants, et la qualité de l'entretien. L'effet précis de ces facteurs sur la durée de vie du réservoir sont difficiles à déterminer; cependant, Ingersoll-Rand recommande de planifier une inspection et une certification du réservoir au cours des cinq premières années de service du compresseur. Pour planifier une inspection du réservoir, communiquer avec le fournisseur de services autorisé le plus près.

Si le compresseur n'a pas été inspecté au cours des dix premières années de service le réservoir ne doit pas être en service, et ce, jusqu'à la réussite de l'essai d'inspection. Les réservoirs qui échouent la rencontre des exigences doivent être remplacés.

**⚠ AVERTISSEMENT** Ne pas remplacer un réservoir d'air rouillé peut provoquer un éclatement ou l'explosion du réservoir et occasionner des dommages importants à la propriété, des blessures graves ou la mort. Ne JAMAIS modifier ou réparer un réservoir. Obtenir un réservoir de remplacement au centre de services.

## ETTOYAGE DU FILTRE D'ASPIRATION D'AIR

Retirer le filtre d'aspiration après 50 heures ou une fois par semaine et nettoyer l'intérieur du filtre et l'élément avec de l'air comprimé. Tourner l'écrou à oreilles dans le sens contraire des aiguilles d'une montre pour démonter le filtre d'aspiration.



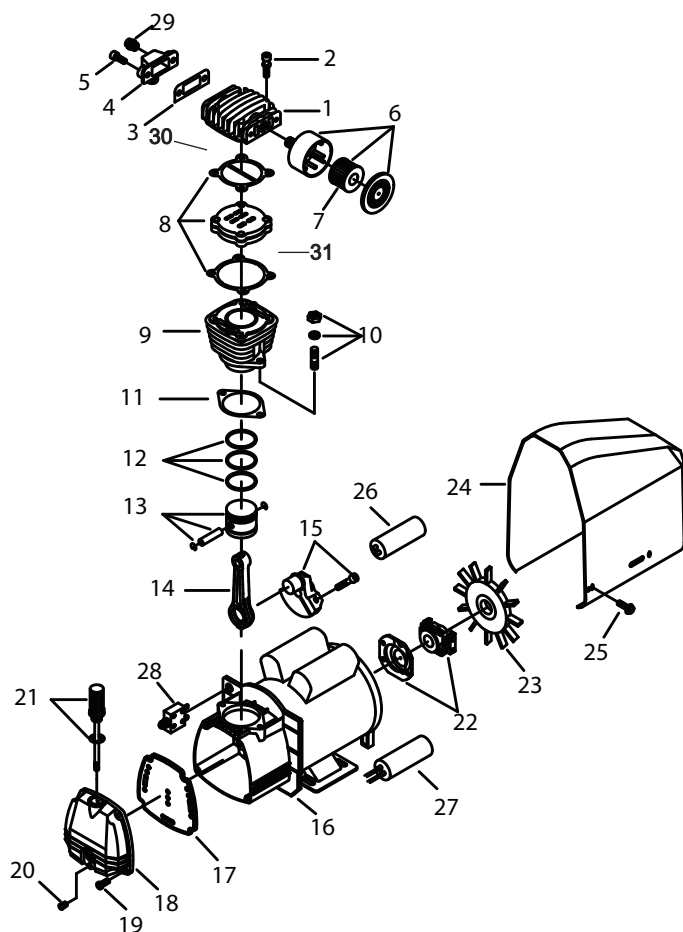
A = élément du filtre

**⚠ AVERTISSEMENT** Ne JAMAIS nettoyer l'élément du filtre avec un produit inflammable ou un solvant.

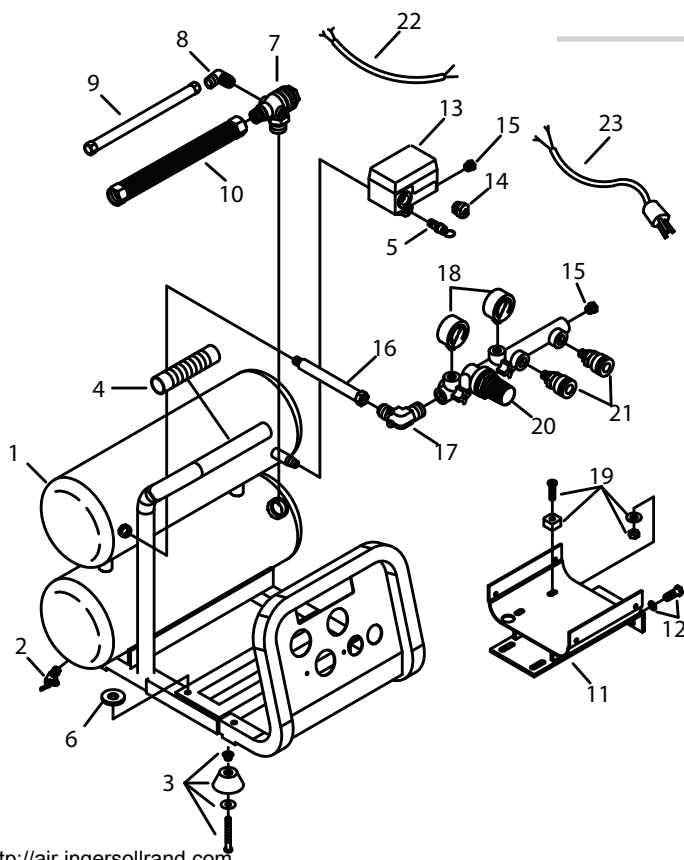
**⚠ MISE EN GARDE** Ne JAMAIS faire fonctionner l'appareil sans filtre d'aspiration.

**LISTE DE PIÈCES**

**POMPE**



NO RÉF.	NO DE PIÈCE	DESCRIPTION	QUAN TITÉ
1	23360068	HEAD - CYLINDER	1
2	23360084	SET - ALLEN BOLT	4
3	23360092	GASKET - EXHAUST ELBOW	1
4	23360100	ELBOW - EXHAUST	1
5	23360118	BOLT - ALLEN HEAD	2
6	23360126	FILTER - AIR INLET	1
7	23360134	ELEMENT - AIR INLET FILTER	1
8	23360142	ASSEMBLY - INLET & EXHAUST VALVE	1
9	23360159	CYLINDER	1
10	23360167	SET - DOUBLE HEAD SCREW	2
11	23360175	GASKET - CYLINDER	1
12	23360183	SET - PISTON RING	1
13	23360191	SET - PISTON	1
14	23360209	ROD	1
15	23360217	CRANKSHAFT & BALANCER	1
16	23360225	SET - MOTOR	1
17	23360233	GASKET - FRONT COVER	1
18	23360241	COVER - FRONT	1
19	23360258	BOLT	4
20	23360266	PLUG	1
21	23360274	SET - DIPSTICK	1
22	23360282	SET - CENTRIFUGAL SWITCH	1
23	23360290	COOLING FAN	1
24	23360308	SHROUD	1
25	23360316	BOLT	6
26	23360324	STARTING CAPACITOR	1
27	23360332	RUNNING CAPACITOR	1
28	23360340	THERMAL PROTECTOR	1
29	23360357	AUTOMATIC RELIEF VALVE	1
30	23369655	GASKET - HEAD	1
31	23369663	GASKET - VALVE ASSEMBLY/CYLINDER	1



**RÉSERVOIR D'AIR**

NO RÉF.	NO DE PIÈCE	DESCRIPTION	QUAN TITÉ
1	23360365	TANK - AIR	1
2	23360373	VALVE - BALL	1
3	23360381	SET - RUBBER PAD	4
4	23360399	GRIP	1
5	23360407	VALVE - PRESSURE RELIEF	1
6	23360431	BODY SEAT BLOCK	6
7	23360449	VALVE - CHECK	1
8	23360456	ELBOW - UNLOADING	1
9	23360464	TUBE - UNLOADING	1
10	23360472	EXHAUST SOFT TUBE	1
11	23360480	TANK SEATING	1
12	23360498	SET - HEXAGON BOLT	4
13	23360506	SWITCH - PRESSURE	1
14	23360514	BUSHING - STRAIN RELIEF	2
15	23360522	PLUG	3
16	23360530	TUBE - SOFT	1
17	23360548	ELBOW - EXHAUST	1
18	23360555	GAUGE - PRESSURE	2
19	23360563	SET - MOTOR FOOT BOLT	4
20	23360571	REGULATOR	1
21	23360589	COUPLER - QUICK CONNECT (FEMALE)	2
22	23360597	CABLE	1
23	23360605	CABLE - POWER	1

## REPAIR KITS

DESCRIPTION	No DE PIÈCE	CONTENU
TROUSSE DE JOINTS STATIQUES	23369739	QUANTITÉ (1) JOINT STATIQUE POUR COUDE D'ÉVACUATION No DE PIÈCE 23360092 (No RÉF. POMPE - 3) QUANTITÉ (1) JOINT STATIQUE POUR CYLINDRE No DE PIÈCE 23360175 (No RÉF. POMPE - 11) QUANTITÉ (1) JOINT STATIQUE DE COUVERCLE FRONTAL No DE PIÈCE 23360233 (No RÉF. POMPE - 17) QUANTITÉ (1) JOINT STATIQUE DE TÊTE No DE PIÈCE 23369655 (No RÉF. POMPE - 30) QUANTITÉ (1) JOINT STATIQUE D'ASSEMBLAGE DE SOUPAPE/CYLINDRE No DE PIÈCE 23369663 (No RÉF. POMPE - 31)
ASSEMBLAGE DE SOUPAPE	23369754	QUANTITÉ (1) ENSEMBLE DE SOUPAPES D'ADDITION ET ÉVACUATION No DE PIÈCE 23360142 (No RÉF. POMPE - 8) QUANTITÉ (1) JOINT STATIQUE DE TÊTE No DE PIÈCE 23369655 (No RÉF. POMPE - 30) QUANTITÉ (1) JOINT STATIQUE D'ASSEMBLAGE DE SOUPAPE/CYLINDRE No DE PIÈCE 23369663 (No RÉF. POMPE - 31)
TROUSSE DE GARNITURE DE PISTON	23369762	QUANTITÉ (1) JOINT STATIQUE POUR CYLINDRE No DE PIÈCE 23360175 (No RÉF. POMPE - 11) QUANTITÉ (1) ENSEMBLE DE GARNITURE DE PISTON No DE PIÈCE 23360183 (No RÉF. POMPE - 12) QUANTITÉ (2) JOINT STATIQUE DE TÊTE No DE PIÈCE 23369655 (No RÉF. POMPE - 30) QUANTITÉ (2) JOINT STATIQUE D'ASSEMBLAGE DE SOUPAPE/CYLINDRE No DE PIÈCE 23369663 (No RÉF. POMPE - 31)
TROUSSE DE REMPLACEMENT DE POMPE	23369747	No RÉF. POMPE 1 -31

## LUBRIFIANT SYNTHÉTIQUE ALL SEASON SELECT

DESCRIPTION	No DE PIÈCE
BOUEILLE DE 0,5 L	97338131

#### GARANTIE

La société Ingersoll-Rand garantit que l'équipement fabriqué et livré par la présente ne comporte aucun défaut de matériel ou de main d'œuvre et ce pour une période de douze (12) mois à partir de la date de livraison au client. Si la société est avisée par écrit d'une violation des dispositions de la présente garantie à l'intérieur de la période requise, alors la société s'engage, à son gré, à y remédier soit en réparant correctement l'équipement, soit en fournissant une pièce de rechange FAB du point d'origine, pourvu que l'acheteur ait installé, exploité et entretenu l'équipement conformément aux pratiques acceptées de l'industrie et qu'il ait suivi les recommandations particulières de la société. Les accessoires et les équipements fournis par la société mais fabriqués par un tiers seront protégés par la garantie obtenue du tiers par Ingersoll-Rand et ayant pu être cédée à l'acheteur. La société ne sera en aucun cas tenue responsable des réparations, des remplacements ou des réglages effectués à l'équipement ou du coût de main-d'œuvre engagé par l'acheteur sans l'autorisation écrite préalable de la société.

La société ne fait aucune garantie quant à la performance, exception faite des déclarations particulières faites dans sa proposition. Les effets de la corrosion, de l'érosion ainsi que de l'usure normale sont explicitement exclus des protections assurées par la garantie. Si des garanties de performance ont été explicitement incluses, alors les obligations de la société seront limitées à assurer un correctif de la manière et durant la période précisés ci-dessus.

LA SOCIÉTÉ NE FAIT AUCUNE AUTRE GARANTIE OU DÉCLARATION DE QUELQUE SORTE QUE CE SOIT, DE NATURE IMPLICITE OU EXPLICITE, SAUF EN CE QUI CONCERNE LE TITRE, ET ELLE RENONCE PAR LES PRÉSENTES À TOUTE GARANTIE IMPLICITE DE QUALITÉ LOYALE ET MARCHANDE.

La correction par la société de tout vice, qu'il soit apparent ou caché, de la manière et pendant la période établis ci-dessus, constituera l'accomplissement de toutes les responsabilités de la société et de ses distributeurs en vertu de tout vice qui concerne l'équipement ou qui en découle.

#### LIMITATION DE RESPONSABILITÉ

LES RECOURS DE L'ACHETEUR EN VERTU DE LA PRÉSENTE SONT EXCLUSIFS ET LA RESPONSABILITÉ TOTALE DE LA SOCIÉTÉ, DE SES DISTRIBUTEURS ET DE SES FOURNISSEURS EN CE QUI CONCERNE L'EXÉCUTION OU LA VIOLATION DU CONTRAT OU DE L'ÉQUIPEMENT ET DES SERVICES FOURNIS, OU EN CE QUI CONCERNE LA FABRICATION, LA VENTE, LA LIVRAISON, L'INSTALLATION, LA RÉPARATION OU LA DIRECTION TECHNIQUE PRÉVUE AU CONTRAT OU FOURNIE EN VERTU DE CE DERNIER, QUE CE SOIT EN VERTU D'UN CONTRAT, D'UNE GARANTIE, DE LA NÉGLIGENCE, D'UNE INDEMNISATION, DE LA RESPONSABILITÉ STRICTE OU AUTREMENT, NE POURRA PAS DÉPASSER LE PRIX D'ACHAT DE L'UNITÉ D'ÉQUIPEMENT SUR LAQUELLE LA RESPONSABILITÉ EST FONDÉE.

LA SOCIÉTÉ, SES DISTRIBUTEURS ET SES FOURNISSEURS NE SERONT DANS AUCUNE ÉVENTUALITÉ TENUS RESPONSABLES ENVERS L'ACHETEUR, SES AYANTS DROIT, SES BÉNÉFICIAIRES OU SES CESSIONNAIRES EN VERTU D'UN CONTRAT DES DOMMAGES-INTÉRÊTS INDIRECTS, ACCESSOIRES, FORTUITS, PARTICULIERS OU EXEMPLAIRES SURVENANT EN VERTU DU PRÉSENT CONTRAT OU DE SA VIOLATION OU D'UN DÉFAUT, D'UNE DÉFECTUOSITÉ OU D'UNE ANOMALIE DE L'ÉQUIPEMENT, QU'ILS SOIENT FONDÉS SUR LA PERTE DE JOUISSANCE, LA PERTE DE PROFITS OU DE REVENUS, L'INTÉRÊT, LA PERTE D'ACHALANDAGE, L'ARRÊT DU TRAVAIL, LES DOMMAGES À D'AUTRES BIENS, LES PERTES EN RAISON D'UN ARRÊT DE FONCTIONNEMENT, L'ACCROISSEMENT DES DÉPENSES D'EXPLOITATION, LE COÛT D'ACHAT D'UNE ALIMENTATION DE RECHANGE OU LES RÉCLAMATIONS DE CLIENTS OU D'ACHETEURS DE CLIENTS EN RAISON D'UNE INTERRUPTION DE SERVICE, PEU IMPORTE QUE TELLE PERTE OU QUE DE TELS DOMMAGES SOIENT FONDÉS SUR UN CONTRAT, UNE GARANTIE, UNE NÉGLIGENCE, UNE INDEMNITÉ, UNE RESPONSABILITÉ STRICTE OU AUTREMENT.

**Gardez votre reçu pour des réclamations de garantie.**

**Questions ? Pièces ? Service ?  
1-800 AIR SERV**





