



SS5L5
SS5N5

Owner's Manual With Parts List

- EN** Owner's Manual With Parts List
- ES** Manual del propietario con la lista de piezas
- FR** Manuel du propriétaire avec liste des pièces



Save These Instructions



CONTENTS

SAFETY	4	MAINTENANCE	10
GENERAL SAFETY PRECAUTIONS	4	FILTER REPLACEMENT (SS5)	10
GENERAL INFORMATION	4	OIL CHANGE	10
RECEIPT & INSPECTION	5	BELT ADJUSTMENT	11
INSTALLATION	6	TANK INSPECTION	11
SELECTING A LOCATION	6	TROUBLESHOOTING	12
GENERAL	6	WARRANTY AND LIMITATION OF LIABILITY	16
TEMPERATURE	6	WARRANTY	16
HUMID AREAS	6	LIMITATION OF LIABILITY	16
NOISE CONSIDERATIONS	6	PARTS LIST	20
PERMANENT MOUNTING	6	KITS & ACCESSORIES	22
TYPICAL PERMANENT MOUNTING (CUSTOMER -SUP- PLIED HARDWARE)	6	EXTENDED WARRANTY KIT	22
INSTALLING REMOTE AIR INLET PIPING	6	INGERSOLL RAND SYNTHETIC LUBRICANT	22
INSTALLING DISCHARGE PIPING	6	ELEMENTO DE FILTRO DE ALRE	22
GENERAL REQUIREMENTS	7	STEP SAVER KITS	22
CONDENSATE DISCHARGE PIPING	7	CRANKCASE HEATER KIT	22
ELECTRICAL WIRING	7	MULTIPURPOSE AIR HOSES	22
GENERAL	7	Y - STRAINERS	22
WIRE SIZE	7		
FUSES	7		
COMPRESSOR LUBRICATION	7		
SYNTHETIC COMPRESSOR LUBRICANT	7		
ALTERNATE LUBRICANTS	7		
FILLING PROCEDURES:	8		
INITIAL START-UP	8		
PRESSURE SWITCH	8		
OPERATION	9		
GENERAL	9		
NORMAL START-UP	9		
WHEN YOU ARE FINISHED:	9		

INGERSOLL-RAND[®]

AIR COMPRESSORS

Ingersoll-Rand Company
800-B Beaty Street
P. O. Box 1803
Davidson, NC 28036

1-800-AIR SERV
(1-800-247-7378)
www.air.ingersoll-rand.com

CONSUMER INFORMATION SHEET

Thank you for purchasing an Ingersoll-Rand product. We trust that it will offer you many years of trouble-free service. If you encounter any problems or need assistance, please refer to the information provided in this sheet.

INSTALLATION, OPERATION, MAINTENANCE & TROUBLESHOOTING ISSUES

Read the owner's manual first. Often this will clarify your understanding. If you still have problems, please call the toll-free hotline.

MISSING PARTS

If parts are missing call the toll free hotline. Have the serial number, part number, model number and parts list (with missing parts circled) handy when you call. Your parts will be shipped immediately.

SHIPPING DAMAGE OR DEFECTIVE PARTS

Each new product is inspected and in good condition prior to shipment from the factory. If your product was received in a condition that was less than satisfactory, or if you discover a defect that requires service or adjustment by qualified personnel, please contact your nearest authorized service representative.

DO NOT RETURN THE PRODUCT TO YOUR RETAILER!

**NOTE REGARDING
EXTENSION CORDS**

To avoid power loss and
overheating, use additional air
hose instead of an extension
cord.

PARTS & SERVICE HOTLINE:
1-800-AIR SERV
(1-800-247-7378)

SAFETY

DANGER

Indicates an imminently hazardous situation which, if not avoided, will result in death or serious injury.

WARNING

Indicates a potentially hazardous situation which, if not avoided, could result in death or serious injury.

CAUTION

Indicates a potentially hazardous situation which, if not avoided, may result in minor or moderate injury or property damage.

NOTICE

Indicates information or a company policy that relates directly or indirectly to the safety of personnel or protection of property.

■ GENERAL SAFETY PRECAUTIONS

DANGER

Intake air can contain carbon monoxide or other contaminants. Will cause serious injury or death. Ingersoll Rand air compressors are not designed, intended or approved for breathing air. Compressed air should not be used for breathing air applications unless treated in accordance with all applicable codes and regulations.

WARNING

A hazardous voltage can cause serious injury or death. Disconnect power and bleed pressure from the tank before servicing. Lockout/tagout machine. Compressor must be connected to properly grounded circuit. See grounding instructions in manual. Do not operate compressor in wet conditions. Store indoors.

Moving parts. Can cause serious injury. Do not operate with guards removed. Machine may start automatically. Disconnect power before servicing. Lockout/tagout machine.

Hot surfaces. Can cause serious injury. Do not touch. Allow to cool before servicing. Do not touch hot compressor or tubing.

High pressure air. Bypassing, modifying or removing safety/relief valves can cause serious injury or death. Do not bypass, modify or remove safety/relief valves. Do not direct air stream at body. Rusted tanks can cause explosion and severe injury or death. Drain tank daily or after each use. Drain valve located at bottom of tank.

CAUTION

A caution risk of bursting. Use only suitable air handling parts acceptable for pressure of not less than the maximum allowable working pressure of the machine.

GENERAL INFORMATION

Your air compressor unit is suitable for operating air tools, caulking guns, grease guns, sandblasters, etc. Depending on your application, the following accessories may be required:

- An air pressure regulator to adjust the air pressure entering the tool or accessory.
- An air line filter for removal of moisture and oil vapour in compressed air.
- An in-line lubricator to prolong the life of air tools.

- Separate air transformer which combine the functions of air regulation and/or moisture and dirt removal.

Contact your nearest authorized dealer or call 1-800-AIR-SERV for more information on air tools and accessories for your application.

RECEIPT & INSPECTION

Ensure adequate lifting equipment is available for unloading and moving the compressor to the installation site.

NOTICE

Lifting equipment must be properly rated for the weight of the unit.

Lift the unit by the shipping skid only. Use straps to prevent tipping.



CAUTION

Do not work on or walk under the compressor while it is suspended.

Before signing the delivery receipt, inspect for damage and missing parts. If damage or missing parts are apparent, make the appropriate notation on the delivery receipt, then sign the receipt. Immediately contact the carrier for an inspection. All material must be held in the receiving location for the carrier's inspection. Delivery receipts that have been signed without a notation of damage or missing parts are considered to be delivered 'clear.' Subsequent claims are then considered to be concealed damage claims. Settle damage claims directly with the transportation company.

If you discover damage after receiving the unit (concealed damage), the carrier must be notified within 15 days of receipt and an inspection must be requested by telephone with confirmation in writing. On concealed damage claims, the burden of establishing that the unit was damaged in transit reverts back to the claimant.

Read the unit specification label to verify it is the model ordered, and read the motor nameplate to verify it is compatible with your electrical conditions. Make sure electrical enclosures and components are appropriate for your application.

INSTALLATION

■ SELECTING A LOCATION

■ GENERAL

Select a clean, dry, well-lighted indoor area with plenty of space for proper cooling air flow and accessibility. Locate the unit at least 12 inches (30 cm) from walls, and make sure the main power supply is clearly identified and accessible.

■ TEMPERATURE

Ideal operating temperatures are between 32°F and 100°F (0°C and 37.8°C). If temperatures consistently drop below 32°F (0°C), locate the unit inside a heated building. If this is not possible, you must protect safety relief valves and drain valves from freezing.



CAUTION

Never operate in temperatures below 20°F (-6.6°C) or above 125°F (51.0°C).

■ HUMID AREAS

In frequently humid areas, moisture may form in the bare pump and produce sludge in the lubricant, causing running parts to wear out prematurely. Excessive moisture is especially likely to occur if the unit is located in an unheated area that is subject to large temperature changes. Two signs of excessive humidity are external condensation on the pump when it cools down and a "milky" appearance in petroleum compressor lubricant. You may be able to prevent moisture from forming in the bare pump by increasing ventilation, operating for longer intervals or installing an external crankcase heater kit.

■ NOISE CONSIDERATIONS

Consult local officials for information regarding acceptable noise levels in your area. To reduce excessive noise, use vibration isolator pads or intake silencers, relocate the unit or construct total enclosures or baffle walls.

■ PERMANENT MOUNTING

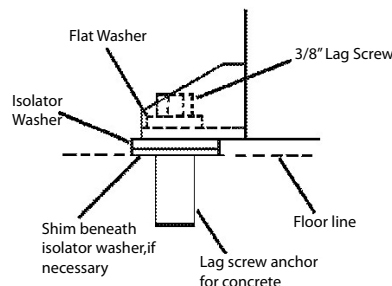


WARNING

Remove the unit from the skid before mounting.

The unit must be permanently mounted. When mounting the unit, bolt the feet to a firm, level foundation (such as a concrete floor). Do not bolt uneven feet tightly to the foundation, as this will cause excessive stress on the receiver tank. Use metal shims under the "short" feet if necessary.

■ TYPICAL PERMANENT MOUNTING (CUSTOMER -SUPPLIED HARDWARE)



■ INSTALLING REMOTE AIR INLET PIPING



CAUTION

Do not operate the unit without air inlet filter(s).

If the air around the unit is relatively free of dirt, install the air inlet filter(s) at the inlet connection at the bare pump. If remote air inlet piping or heavy duty filtration is required, contact your dealer for information.

■ INSTALLING DISCHARGE PIPING

If it is necessary to install air discharge and condensate discharge piping, adhere to the following general guidelines. Contact your dealer for more information.



WARNING

Do not use plastic pipe, rubber hose, or lead-tin soldered joints anywhere in the compressed air system.



WARNING

If an aftercooler, check valve, block valve, or any other restriction is added to the compressor discharge, install a properly-sized ASME approved safety/relief valve between the compressor discharge and the restriction.



CAUTION

If you will be using Ingersoll Rand synthetic compressor lubricant, all downstream piping material and system components must be compatible. Refer to the following material compatibility list. If there are incompatible materials present in your system, or if there are materials not included in the list, contact Ingersoll Rand for recommendations.

SYNTHETIC COMPRESSOR LUBRICANT MATERIAL COMPATIBILITY LIST

COMPATIBILITY LIST SUITABLE :

FKM (Fluoroclastomer), PTFE, Epoxy (Glass Filled), Oil Resistant Alkyd, Fluorosilicone, Fluorocarbon, Polysulfide, 2-Component Urethane, Nylon, POM (Polyoxymethylene/Polyacetal), High Nitrile Rubber (Buna N. NBR more than 36% Acrylonitrile), Polyurethane, Polyethylene, Epichlorohydrin, Polyacrylate, Melamine, Polypropylene, Baked Phenolics, Epoxy, Modified Alkyds (* indicates trademark of DuPont Corporation).

NOT RECOMMENDED :

Neoprene, Natural Rubber, SBR Rubber, Acrylic Paint, Lacquer, Varnish, Polystyrene, PVC, ABS, Polycarbonate, Cellulose Acetate, Low Nitrile Rubber (Buna N. NBR less than 36% Acrylonitrile), EPDM, Ethylene Vinyl Acetate, Latex, EPR, Acrylics, Phenoxy, Polysulfones, Styrene Acrylonitrile (San), Butyl.

GENERAL REQUIREMENTS

The piping, fittings, air receiver tank, etc. must be certified safe for at least the maximum working pressure of the unit. Use hard-welded or threaded steel or copper pipes and cast iron fittings that are certified safe for the unit's discharge pressure and temperature. DO NOT USE PVC PLASTIC. Use pipe thread sealant on all threads, and make up joints tightly to prevent air leaks.

CONDENSATE DISCHARGE PIPING

If installing a condensate discharge line, the piping must be at least one size larger than the connection, as short and direct as possible, secured tightly and routed to a suitable drain point. Condensate must be disposed of in accordance with local, state, and federal laws and regulations.

NOTICE

All compressed air systems generate condensate which accumulates in any drain point (e.g. tanks, filters, drip legs, aftercoolers, dryers). This condensate contains lubricating oil and/or substances which may be regulated and must be disposed of in accordance with local, state, and federal laws and regulations.

ELECTRICAL WIRING

WARNING

Electrical installation and service should be performed by a qualified electrician who is familiar with all applicable local, state and federal laws and regulations.

NOTICE

This product should be connected to a grounded, metallic, permanent wiring system, or an equipment-grounding terminal or lead on the product.

GENERAL

The motor rating, as shown on the motor nameplate, and the power supply must have compatible voltage, phase and hertz characteristics.

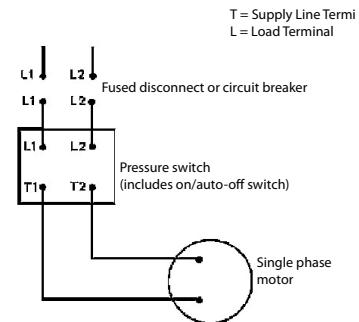
WIRE SIZE

The electrical wiring between the power supply and electric motor varies according to motor horsepower. Power leads must be adequately sized to protect against excessive voltage drop during start-up. Information for selecting the proper wire size and securing connections should be provided with the motor. If not, refer to the National Electric Code (NEC) or applicable local, state and federal laws and regulations. If other electrical equipment is connected to the same circuit, the total electrical load must be considered in selecting the proper wire size. DO NOT USE UNDERSIZE WIRE.

FUSES

Refer to the National Electric Code to determine the proper fuse or circuit breaker rating required. When selecting fuses, remember the momentary starting current of an electric motor is greater than its full load current. Time-delay or "slow-blow" fuses are recommended.

Single-Phase Wiring



COMPRESSOR LUBRICATION

CAUTION

Do not operate without lubricant or with inadequate lubricant. Ingersoll Rand is not responsible for compressor failure caused by inadequate lubrication.

SYNTHETIC COMPRESSOR LUBRICANT

We recommend Ingersoll Rand synthetic compressor lubricant from start-up. See the WARRANTY section for extended warranty information.

ALTERNATE LUBRICANTS

You may use XL-300 or a comparable petroleum-based lubricant that is premium quality, does not contain detergents, contains only anti-rust, anti-oxidation, and anti-foam agents as additives, has a flashpoint of 440°F (227°C) or higher, and has an auto-ignition point of 650°F (343°C) or higher.

See the petroleum lubricant viscosity table below. The table is intended as a general guide only. Heavy duty operating conditions require heavier viscosities. Refer specific operating conditions to **Ingersoll Rand** for recommendations.

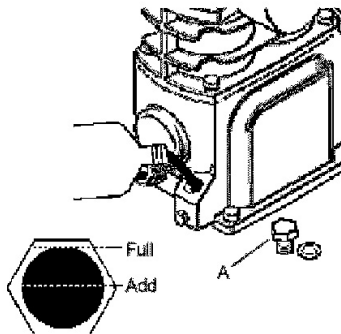
Temperature Around Compressor		Viscosity at 100°F (37.8 °C)		Viscosity Grade	
°F	°C	SUS	Centistokes	ISO	SAE
40 & below	4.4 & below	150	32	32	10
40-80	4.4-26.7	500	110	100	30
80-125	26.7-51.0	750	165	150	40

If you use a petroleum-based compressor lubricant at start-up and decide to convert to **Ingersoll Rand** synthetic compressor lubricant later on, the compressor valves must be thoroughly decarbonized and the crankcase must be flushed before conversion.

■ **FILLING PROCEDURES:**

1. Unscrew and remove the oil fill plug (A).
2. Slowly fill the crankcase with lubricant until the lubricant reaches the top thread of the oil fill opening and the top of the sight glass. Crankcase capacity for the SS3 is one-half (0.5) liter. Crankcase capacity for the SS5 is one (1) liter.
3. Replace the oil fill plug **HAND TIGHT ONLY**.

Filling Procedures



■ **INITIAL START-UP**

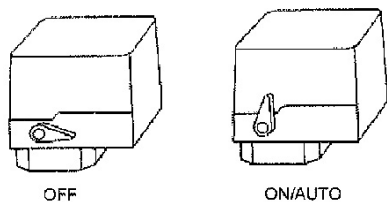
■ **PRESSURE SWITCH**

The Pressure Switch is Pre-set at the required pressure. The range and differential settings ARE NOT adjustable. The Pressure Switch should not be tampered with in any way and no attempt should be made to adjust the pressure settings as this could damage the Switch to the point of failure and/or void any warranty for the Pressure Switch.

Follow this procedure before putting the unit into service for the first time:

1. Set the pressure switch lever to "OFF".

• **Pressure Switch Lever**



2. Open the service valve fully to prevent air pressure from building in the tank. (A=Open, B=Closed).

• **Service Valve**

3. Move the pressure switch lever to "ON/AUTO" The unit will start.
4. Run the unit for 30 minutes. Ensure the service valve is fully open and there is no tank pressure build up.

⚠ CAUTION

Unusual noise or vibration indicates a problem. Do not continue to operate until you identify and correct the source of the problem. IF EMERGENCY CONDITIONS ARE ENCOUNTERED. SHUT OFF THE MAIN POWER IMMEDIATELY.

5. After 30 minutes, close the service valve fully. The air receiver will fill to cut-out pressure and the motor will stop. The unit is now ready for use.

OPERATION

■ GENERAL

Your air compressor was designed for 100% continuous duty operation with the use of **Ingersoll Rand** synthetic compressor lubricant and 60% continuous duty operation with the use of petroleum lubricant. In other words synthetic lubricant allows the compressor to pump continuously without cycling. Petroleum lubricant limits the compressor to a maximum of 36 minutes of pumping time per hour. The compressor should not cycle more than 10 times per hour.

1. Close the service valve.
2. Release any remaining tank pressure by slowly opening the manual drain valve.
3. Close the manual drain valve and apply power to the compressor. If the pressure switch is equipped with an "ON/ AUTO-OFF" lever, flip the switch to the "ON/AUTO" position. If the unit is equipped with a control panel "ON/OFF" switch, move the switch to the "ON" position.

■ NORMAL START-UP

1. Set the pressure switch lever to 'OFF'.
2. Close the service valve.
3. Attach hose and accessory.
4. Move the pressure switch lever to 'ON/AUTO'. The unit will start.
5. Allow tank pressure to build. The motor will stop when tank pressure reaches cut-out pressure.
6. Open the service valve. The unit is now ready for use.

■ WHEN YOU ARE FINISHED:

1. Set the pressure switch lever to 'OFF'.
2. Close the service valve fully.
3. Remove the air tool or accessory
4. Slowly open the service valve to bleed air pressure down to 20 psig.
5. Slowly open the manual drain valve at the bottom of the tank to drain all condensate (water).
6. Close the drain valve and the service valve for the next use.

NOTICE

When the receiver tank pressure drops below the factory pre-set minimum, the pressure switch resets and restarts the unit.

MAINTENANCE

⚠ WARNING

Disconnect, lock and tag the main power supply and release air pressure from the system before performing maintenance.

NOTICE

All compressed air systems contain maintenance parts (e.g. lubricating oil, filters, separators) which are periodically replaced. These used parts may be, or may contain, substances that are regulated and must be disposed of in accordance with local, state, and federal laws and regulations.

NOTICE

Take note of the positions and locations of parts during disassembly to make reassembly easier. The assembly sequences and parts illustrated may differ for your particular unit.

NOTICE

Any service operations not explained in this manual should be performed by an authorized service representative.

ROUTINE MAINTENANCE SCHEDULE

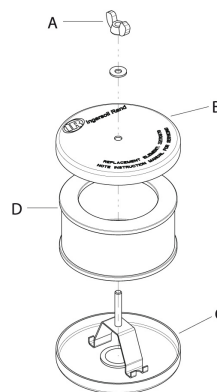
Daily or Before Each Operation	Check lubricant level. Fill as needed.
	Drain receiver tank condensate. Open manual drain valve and collect and dispose of condensate accordingly.
	Check for unusual noise and vibration.
	Ensure beltguards and covers are securely in place.
	Ensure area around compressor is free from rags, tools, debris, and flammable or explosive materials.
Weekly	Inspect air filter element(s). Clean or replace if necessary.
Monthly	Inspect for air leaks. Squirt soapy water around joints during compressor operation and watch for bubbles.
	Check tightness of screws and bolts. Tighten as needed.
	Inspect drive belts. Adjust if necessary. Clean exterior.
3/500 "	Change petroleum lubricant while crankcase is warm.
12/2000 "	Change synthetic lubricant while crankcase is warm.
	Replace filter element.
" indicates months/operating hours, whichever occurs first.	

■ FILTER REPLACEMENT (SS5)

1. Unscrew and remove the wing nut (A) securing the filter housing (B) to its base (C).
2. Remove the filter busing and withdraw the old filter element (D). Clean the element with a jet of air or vacuum.
3. Replace the filter element and housing, securing it in place with the wing nut previously removed.

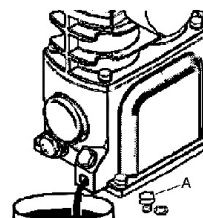
NOTICE

The air intake holes in the baffle and cover must be staggered 180°. When reinstalling the assembly at the inlet connection, ensure the intake hole in the cover is on the bottom to minimize the entry of foreign matter from the air.



■ OIL CHANGE

1. Remove the oil drain plug (A) and allow the lubricant to drain into suitable container.
2. Replace the oil drain plug.
3. Follow the filling procedures in OPERATION section.



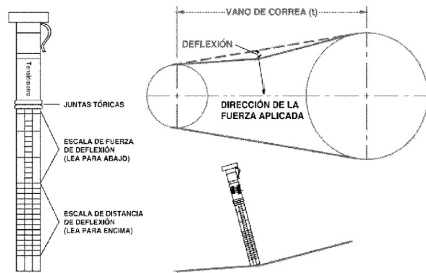
■ BELT ADJUSTMENT

• CHECKING BELT TENSION

Check belt tension should be occasionally, especially if looseness is suspected. A quick check to determine if adjustment is proper may be made by observing the slack side of the belt for a slight bow when the unit is in operation. If a slight bow is evident, the belt is usually adjusted satisfactorily.

• TENSIONING BELTS

Belt tensioning can be achieved by loosening the motor anchor screws, pushing the motor away from the pump, and retightening the motor anchor screws. The motor can be easily moved by placing a prying tool beneath it. A commercially available spreader or other belt tensioning device can also be helpful should tensioning be necessary.



Follow the procedures outlined below to correctly set and measure belt tension.

1. Lay a straight edge across the top outer surface of the belt drive from pulley to sheave.
2. At the center of the span, perpendicular to the belt, apply pressure to the outer surface of the belt with a tension gauge. Force the belt to the deflection indicated in the table at right. Compare the reading on the tension gauge to the table.

Deflection In Inches	Min. Tension (Lbs.)	Max. Tension (Lbs.)
0.17	3.0	6.0

Ensure the pulley and sheave are properly aligned and the motor anchor screws are adequately retightened prior to restarting the compressor.

⚠ CAUTION

Improper pulley/sheave alignment and belt tension can result in motor overload, excessive vibration, and premature belt and/or bearing failure.

To prevent these problems from occurring, ensure the pulley and sheave are aligned and belt tension is satisfactory after installing new belts or tensioning existing belts.

■ TANK INSPECTION

The life of an air receiver tank is dependent upon several factors including, but not limited to, operating conditions, ambient environments, and the level of maintenance. The exact effect of these factors on tank life is difficult to predict; therefore, **Ingersoll Rand** recommends that you schedule a certified tank inspection within the first five years of compressor service. To arrange a tank inspection, contact the nearest IR Air Center or distributor, or call 1-800-AIR SERV.

If the tank has not been inspected within the first 10 years of compressor service, the receiver must be taken out of service until it has passed inspection. Tanks that fail to meet requirements must be replaced.

⚠ WARNING

Failure to replace a rusted air receiver tank could result in air receiver tank rupture or explosion, which could cause substantial property damage, severe personal injury, or death. Never modify or repair tank. Obtain replacement from service center.

TROUBLESHOOTING

PROBLEM	POSSIBLE CAUSE	POSSIBLE SOLUTION
Abnormal piston, ring or cylinder wear.	Lubricant viscosity too low	Drain existing lubricant and refill with proper lubricant.
	Lubricant level too low	Add lubricant to crankcase to proper level.
	Detergent type lubricant being used	Drain existing lubricant and refill with proper lubricant
	Cylinder(s) or piston(s) scratched worn or scored.	Repair or replace as required
	Extremely dusty atmosphere.	Install remote air inlet piping and route to source of cleaner air. Install more effective filtration.
	Worn cylinder finish	Deglaze cylinder with 180 grit flex-hone.
Air delivery drops off	Clogged or dirty inlet and / or discharge line filter	Clean or replace
	Air leaks in air discharge piping.	Check tubing and connections.
	Lubricant viscosity too high.	Drain existing lubricant and refill with proper lubricant.
	Compressor valves leaky, broken, carbonized or loose.	Inspect valves. Clean or replace as required. Install valve kit.
	Piston rings damaged or worn (broken, rough or scratched). Excessive end gap or side clearance.	Install ring kit.
	Piston rings not seated, are stuck in grooves or end gaps not staggered.	Adjust piston rings
	Cylinder(s) or piston(s) scratched, worn or scored.	Repair or replace as required
	Defective safety/relief valve.	Replace
Unit does not come up to speed	Loose beltwheel or motor pulley, excessive end play in motor shaft or loose drive belts.	Check beltwheel, motor pulley, crankshaft, drive belt tension and alignment. Repair or replace as required.
	Lubricant viscosity too high	Drain existing lubricant and refill with proper lubricant.
	Improper line voltage	Check line voltage and upgrade lines as required. Contact electrician.
	Compressor valves leaky, broken, carbonized or loose.	Inspect valves. Clean or replace as required. Install valve kit.
	Defective ball bearings on crankshaft or motor shaft.	Inspect bearings and replace crankshaft assembly if required.
Unit is slow to come up to speed	Lubricant viscosity too high	Drain existing lubricant and refill with proper lubricant.
	Leaking check valve or check valve seat blown out.	Replace check valve.
	Ambient temperature too low.	Relocate unit to warmer environment. Install crankcase heater kit.
	Bad motor.	Replace.
Unit runs excessively hot	Inadequate ventilation around beltwheel.	Relocate unit for better air flow
	Drive belts too tight or misaligned	Adjust belts to proper tension and alignment.
	Compressor valves leaky, broken, carbonized or loose	Inspect valves. Clean or replace as required. Install valve kit.
	Wrong beltwheel direction of rotation	Check motor wiring for proper connections. Reverse two leads on three-phase motors.

PROBLEM	POSSIBLE CAUSE	POSSIBLE SOLUTION
Excessive noise during operation	Loose beltwheel or motor pulley, excessive end play in motor shaft or loose drive belts.	Check beltwheel, motor pulley, crankshaft, drive belt tension and alignment. Repair or replace as required.
	Lubricant viscosity too high	Drain existing lubricant and refill with proper lubricant
	Lubricant level too low	Add lubricant to crankcase to proper level
	Compressor valves leaky, broken, carbonized or loose.	Inspect valves. Clean or replace as required. Install valve kit
	Carbon build-up on top of piston(s).	Clean piston(s). Repair or replace as required.
	Defective ball bearings on crankshaft or motor shaft.	Inspect bearings and replace crankshaft assembly if required
	Leaking check valve or check valve seat blown out.	Replace check valve.
Excessive starting and stopping	Air leaks in air discharge piping.	Check tubing and connections
	Leaking check valve or check valve seat blown out.	Replace check valve
	Excessive condensate in receiver tank	Drain receiver tank with manual drain valve
High oil consumption	Clogged or dirty inlet and/or discharge line filter.	Clean or replace
	Lubricant viscosity too low	Drain existing lubricant and refill with proper lubricant
	Detergent type lubricant being used	Drain existing lubricant and refill with proper lubricant
	Piston rings damaged or worn (broken, rough or scratched). Excessive end gap or side clearance	Install ring kit
	Piston rings not seated, are stuck in grooves or end gaps not staggered	Adjust piston rings
	Cylinder(s) or piston(s) scratched, worn or scored	Repair or replace as required
	Connecting rod, piston pin or crankpin bearings worn or scored	Inspect all. Repair or replace as required
	Crankshaft seal worn or crankshaft scored	Replace seal air crankshaft assembly
	Worn cylinder finish	Deglaze cylinder with 180 grit flex-hone
Knocking or rattling	Loose beltwheel or motor pulley, excessive end play in motor shaft or loose drive belts.	Check beltwheel, motor pulley, crankshaft, drive belt tension and alignment. Repair or replace as required.
	Compressor valves leaky, broken, carbonized or loose.	Inspect valves. Clean or replace as required. Install valve kit
	Carbon build-up on top of piston(s).	Clean piston(s). Repair or replace as required.
	Cylinder(s) or piston(s) scratched, worn or scored	Repair or replace as required
	Connecting rod, piston pin or crankpin bearings worn or scored	Inspect all. Repair or replace as required
	Defective ball bearings on crankshaft or motor shaft.	Inspect bearings and replace crankshaft assembly if required

PROBLEM	POSSIBLE CAUSE	POSSIBLE SOLUTION
Lights flicker or dim when running	Improper line voltage	Check line voltage and upgrade lines as required. Contact electrician.
	Wiring or electric service panel too small	Install properly sized wire or service box. Contact electrician.
	Poor contact on motor terminals or starter connections	Ensure good contact on motor terminals or starter connections
	Improper starter overload heaters	Install proper starter overload heaters. Contact electrician
	Poor power regulation (unbalanced line)	Contact power company
Moisture in crankcase or "milky" appearance in petroleum lubricant or rusting in cylinders	Detergent type lubricant being used	Drain existing lubricant and refill with proper lubricant
	Extremely light duty cycles	Run unit for longer duty cycles
	Unit located in damp or humid location	Relocate unit
Motor overload trips or draws excessive current	Lubricant viscosity too high	Drain existing lubricant and refill with proper lubricant
	Improper line voltage	Check line voltage and upgrade lines as required. Contact electrician.
	Wiring or electric service panel too small	Install properly sized wire or service box. Contact electrician.
	Poor contact on motor terminals or starter connections	Ensure good contact on motor terminals or starter connections
	Improper starter overload heaters	Install proper starter overload heaters. Contact electrician
	Poor power regulation (unbalanced line)	Contact power company
	Drive belts too tight or misaligned	Adjust belts to proper tension and alignment.
	Compressor valves leaky, broken, carbonized or loose	Inspect valves. Clean or replace as required. Install valve kit
	Cylinder(s) or piston(s) scratched, worn or scored	Repair or replace as required
	Connecting rod, piston pin or crankpin bearings worn or scored	Inspect all. Repair or replace as required
	Defective ball bearings on crankshaft or motor shaft.	Inspect bearings and replace crankshaft assembly if required
	Leaking check valve or check valve seat blown out.	Replace check valve.
	Ambient temperature too low.	Relocate unit to warmer environment. Install crankcase heater kit.
	Bad motor.	Replace.
Motor will not start	Improper line voltage	Check line voltage and upgrade lines as required. Contact electrician.
	Wiring or electric service panel too small	Install properly sized wire or service box. Contact electrician.
	Poor contact on motor terminals or starter connections	Ensure good contact on motor terminals or starter connections
	Improper starter overload heaters	Install proper starter overload heaters. Contact electrician
	Bad motor	Replace

PROBLEM	POSSIBLE CAUSE	POSSIBLE SOLUTION
Oil in discharge air (oil pumping)	Lubricant viscosity too low	Drain existing lubricant and refill with proper lubricant
	Detergent type lubricant being used	Drain existing lubricant and refill with proper lubricant
	Piston rings damaged or worn (broken, rough or scratched). Excessive end gap or side clearance	Install ring kit
	Piston rings not seated, are stuck in grooves or end gaps not staggered	Adjust piston rings
	Cylinder(s) or piston(s) scratched, worn or scored	Repair or replace as required
	Worn cylinder finish	Deglaze cylinder with 180 grit flex-hone
	Excessive condensate in receiver tank	Drain receiver tank with manual drain valve
Oil leaking from shaft seal	Crankshaft seal worn or crankshaft scored	Replace seal air crankshaft assembly
Safety/relief valve "pops"	Clogged or dirty inlet and / or discharge line filter	Clean or replace
	Compressor valves leaky, broken, carbonized or loose.	Inspect valves. Clean or replace as required. Install valve kit
	Defective safety/relief valve	Replace

WARRANTY AND LIMITATION OF LIABILITY

■ WARRANTY

Ingersoll Rand company warrants that the equipment manufactured by it and delivered hereunder shall be free of defects in material and workmanship for a period of twelve (12) months from the date of placing the equipment in operation or eighteen (18) months from the date of shipment, whichever shall occur first. The foregoing warranty period shall apply to all equipment, except the following:

1. Compressors purchased with an accompanying Extended Warranty Kit that are operated solely on the included **Ingersoll Rand** synthetic lubricant will have their bare compressor warranted for the earlier of twenty-four (24) months from the date of initial operation or thirty (30) months from the date of shipment.
2. Replacement parts will be warranted for six (6) months from the date of shipment.

Should any failure to confirm this warranty be reported in writing to the company within said period, the company shall, at its option, correct such non-conformity by suitable repair to such equipment, or furnish a replacement part F.O.B point of shipment, provided the purchaser has installed, maintained and operated such equipment in accordance with good industry practice and has complied with specific recommendations of the company. Accessories or equipment furnished by the company, but manufactured by others, shall carry whatever warranty the manufacturer conveyed to **Ingersoll Rand** Company and which can be passed on to the purchaser. The company shall not be liable for any repairs, replacements, or adjustments to the equipment or any costs of labour performed by the purchaser without company's prior written approval.

The company makes no performance warranty unless specifically stated within its proposal and the effects of corrosion, erosion and normal wear and tear are specifically excluded from the company's warranty. In the event performance warranties are expressly included, the company's obligation shall be to correct in the manner and for the period of time provided above.

THE COMPANY MAKES NO OTHER WARRANTY OF REPRESENTATION OF ANY KIND WHATSOEVER, EXPRESSED OR IMPLIED, EXPECT THAT OF TITLE, AND ALL IMPLIED WARRANTIES OF MERCHANTABILITY AND FITNESS FOR A PARTICULAR PURPOSE, AND HEREBY DISCLAIMED.

Correction by the company of non-conformities, whether patent or latent, in the manner and for the period of time provided above, shall constitute fulfillment of all liabilities of the company and its distributors for such non-conformities with respect to or arising out of such equipment.

■ LIMITATION OF LIABILITY

THE REMEDIES OF THE PURCHASER SET FORTH HEREIN ARE EXCLUSIVE, AND THE TOTAL LIABILITY OF THE COMPANY, ITS DISTRIBUTORS AND SUPPLIERS WITH RESPECT TO CONTRACT OR THE EQUIPMENT AND SERVICES FURNISHED, IN CONNECTION WITH THE PERFORMANCE OR BRANCH THEREOF, OR FROM THE MANUFACTURE, SALE, DELIVERY, INSTALLATION, REPAIR OR TECHNICAL DIRECTION COVERED BY OR FURNISHED UNDER CONTRACT, WHETHER BASED ON CONTRACT, WARRANTY, NEGLIGENCE, INDEMNITY, STRICT LIABILITY OR OTHERWISE SHALL NOT EXCEED THE PURCHASE PRICE OF THE UNIT OF EQUIPMENT UPON WHICH SUCH LIABILITY IS BASED.

THE COMPANY, ITS DISTRIBUTORS AND ITS SUPPLIERS SHALL IN NO EVENT BE LIABLE TO THE PURCHASER, ANY SUCCESSORS IN INTEREST OR ANY BENEFICIARY OR ASSIGNEE OF THE CONTRACT FOR ANY CONSEQUENTIAL, INCIDENTAL, INDIRECT, SPECIAL OR PUNITIVE DAMAGES ARISING OUT OF THIS CONTRACT OR ANY BREACH THEREOF, OR ANY DEFECT IN, OR FAILURE OF, OR MALFUNCTION OF THE EQUIPMENT, WHETHER OR NOT BASED UPON LOSS OF USE, LOSS PROFITS OR REVENUE, INTEREST, LOST GOODWILL, WORK STOPPAGE, IMPAIRMENT OF THE OTHER GOODS, LOSS BY REASON OF SHUTDOWN OR NON-OPERATION, INCREASED FOR SERVICE INTERRUPTION WHETHER OR NOT SUCH LOSS OR DAMAGE IS BASED ON CONTRACT, WARRANTY, NEGLIGENCE, INDEMNITY, STRICT LIABILITY OR OTHERWISE.

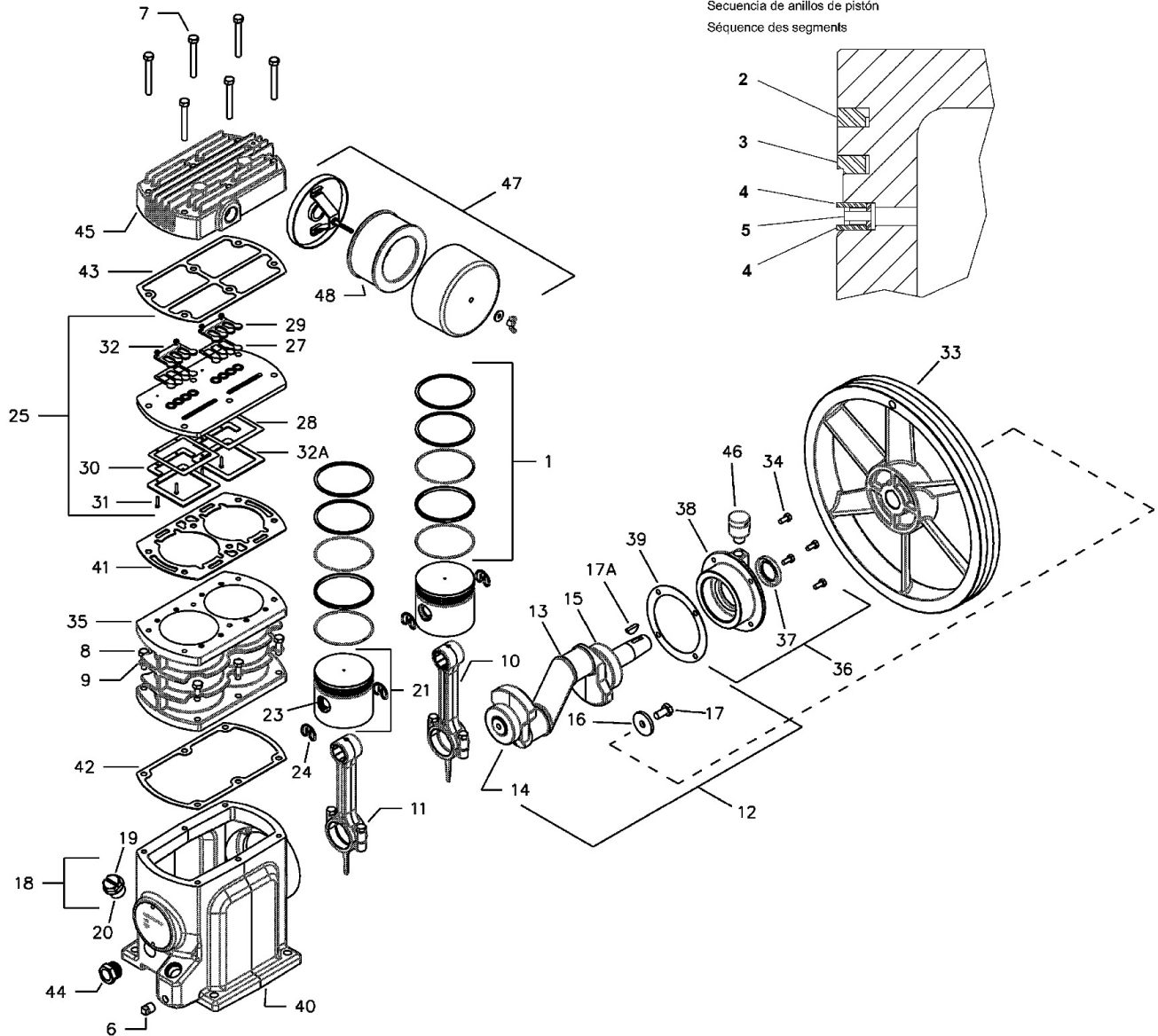
INGERSOLL-RAND®
AIR COMPRESSORS

Ingersoll-Rand Company
800-B Beaty Street
P. O. Box 1803
Davidson, NC 28036
1-800 AIR SERV
www.air.ingersoll-rand.com

**PARTS LIST
FOR MODEL SS5
BARE COMPRESSOR PUMP**

**LISTA DE PIEZAS
PARA MODELO SS5
BOMBA COMPRESORA SIN
ACCESORIOS**

**LISTE DE PIÈCES
POUR COMPRESSEUR NU,
MODÈLE SS5**



© Ingersoll-Rand Company
Printed in U.S.A.

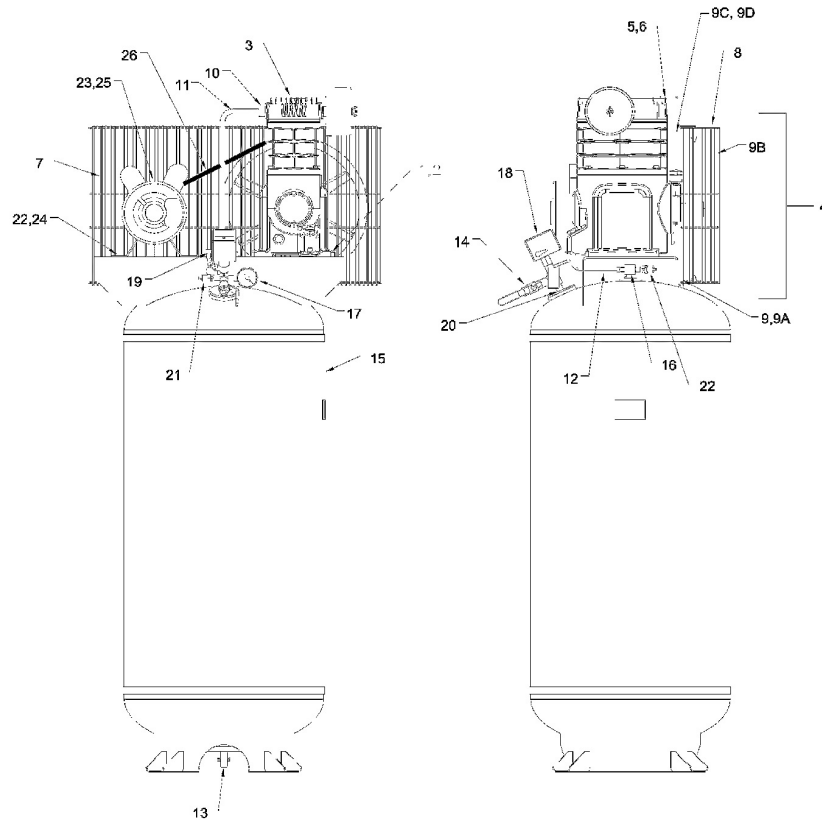
Form SCD-876
December 1999

	REF. NO.	PART NO.	DESCRIPTION	QTY. CANT. QTÉ.
	REF.	97334148	PUMP, BARE COMPRESSOR	-
X	1	20102703	SET, PISTON RING	2
	2	NSS	●RING, COMPRESSION	1
	3	NSS	●RING, SCRAPER	1
	4	NSS	●RING, OIL CONTROL SPACER	2
	5	NSS	●RING, OIL CONTROL	1
	6	95033593	PLUG, OIL DRAIN	1
	7	96706874	CAPSCREW. M8X65 (HEAD BOLT)	6
	8	96702253	CAPSCREW. M8 X25 (CYLINDER BOLT)	6
	9	96728316	WASHER. SPRING- M8	6
	10	97333173	ASSEMBLY. CONNECTING ROD	2
	11	96705876	●CAPSCREW, M8 X 25	2
	12	20102711	ASSEMBLY, CRANKSHAFT - SERVICE	1
	13	NSS	●CRANKSHAFT	1
	14	NSS	●BEARING, MAIN	1
	15	NSS	●BEARING, BALL	1
	16	54423504	●WASHER	1
	17	96730437	●CAPSCREW, M8 X 20 - LEFT HAND THREAD	1
	17A	95245494	●KEY, WOODRUFF	
	18	97334254	ASSEMBLY, OIL FILL PLUG	1
	19	NSS	●PLUG. OIL FILL	1
	20	97334288	●O-RING, OIL FILL PLUG	1
	21	97333389	ASSEMBLY, PISTON & PIN	2
	22	NSS	●PISTON	1
	23	NSS	●PIN, PISTON	1
	24	NSS	●RING, LOCK	2
□	25	97335061	ASSEMBLY VALVE	1
	26	NSS	●PLATE, VALVE	1
	27	NSS	●VALVE, DISCHARGE	2
	28	NSS	●VALVE, INLET	2
	29	NSS	●STOP, DISCHARGE	2
	30	NSS	●RETAINER, INLET	2
	31	NSS	●SCREW, HEX HEAD - M3 X 16	4
	32	NSS	●NUT, HEX - M3 W/LOCKWASHER	4
	32A	NSS	●STOP, INLET	2
	33	97335756	BELTWHEEL	1
	34	97330500	CAPSCREW, M6 X 14 (END COVER BOLTS)	4
	35	97333488	CYLINDER	1
	36	20102729	ASSEMBLY, END COVER - SERVICE	1
	37	97335624	●SEAL, SHAFT	1
	38	NSS	●COVER END	1
	39	97333843	●GASKET, END COVER	1
	40	97334171	FRAME, COMPRESSOR	1

EN

<input type="checkbox"/>	41	54429600	GASKET, VALVE PLATE	1
<input checked="" type="checkbox"/>	42	97333546	GASKET, CYLINDER	1
<input type="checkbox"/>	43	54410667	GASKET, HEAD	1
	44	97334270	GLASS, SIGHT	1
	45	54410683	HEAD	1
	46	70243936	ASSEMBLY, VENT	1
	47	54406640	FILTER, INLET	1
	48	32170979	●ELEMENT, FILTER	1
NSS NOT SOLD SEPARATELY <input type="checkbox"/> AVAILABLE INDIVIDUALLY OR IN VALVE KIT 20100277 <input checked="" type="checkbox"/> AVAILABLE INDIVIDUALLY OR IN PISTON RING KIT 20100285				

PARTS LIST



REF. NO.	PART NO.	DESCRIPTION	QTY.
1	84G03724	CAPSCREW	4
2	95750394	WASHER SPRING LOCK	4
3	97334148	PUMP. BARE COMPRESSOR	1
BELTGUARD GROUP			
4	-	ASSEMBLY COMPLETE BELTGUARD	1
5	32188518	BRACE, BELTGUARD	1
6	56280159	SCREW, HEX- SERRATED FLANGE- M6-1.0X 12MM	1
7	54416730	BELTGUARD, FRONT	1
8	54416748	BELTGUARD, BACK	1
9	97173595	CAPSCREW, SELF TAP -1/4-20X1/2	4
9A	95916078	WASHER, FLAT 1/4 ZINC	4
9B	32496093	CLIP, PVC COATED	4
9C	32241200	FASTENER, U TYPE	1
9D	32175564	CAPSCREW, SERRATED WASHER HEAD - 1/4X3/4	1
NI	54461108	GUARD, COMPRESSOR END	1
TUBING & FITTINGS GROUP			
10	95031795	ELBOW, TUBE 5/8 X 1/2	1
11	97339303	ASSY, DISCHARGE TUBE -SS5L5	1
11	22090112	ASSY, DISCHARGE TUBE -SS5N5	1

AIR RECEIVER TANK GROUP			
12	97339311	ASSY, VENT TUBE -t/4	1
13	32027120	VALVE, MANUAL DRAIN	1
14	32106551	VALVE, BALL- 1/2 F/F (SERVICE VALVE)	1
15	56291412	TANK, AIR RECEIVER -SS5L5	1
15	22108781	TANK, AIR RECEIVER - SS5N5	1
16	85582229	VALVE, CHECK- SS5L5	1
16	97333165	VALVE, CHECK-SS5N5	1
17	56269608	GAUGE, PRESSURE - SS5L5	1
17	32499816	GAUGE, PRESSURE - SS5N5	1
18	54372834	SWITCH, PRESSURE-SS5L5	1
18	54627104	SWITCH, PRESSURE:-SS5N5	1
19	97004030	CONNECTOR CABLE	1
20	56269624	FITTING, MANIFOLD	1
21	97171664	VALVE, SAFETY/RELIEF	1
22	54442041	VALVE, SAFETY/RELIEF-SS5L5	1
22	97010094	VALVE, SAFETY/RELIEF- SS5N5	1
NI	95417507	NIPPLE,% X 1-118 -SS5N5	1
MOTOR GROUP			
22	32175556	CAPSCREW SERRATED WASHER HEAD	4
23	32117996	SET,SHEAVE	1
24	39128566	NUT, WHIZ-LOCK-5116-18	4
25	47669474001	MOTOR	1
26	95099453	BELT, V-A58	1
NI = NOT ILLUSTRATED			

KITS & ACCESSORIES

■ EXTENDED WARRANTY KIT

Each extended warranty kit contains air filters and all season select lubricant sufficient for two years operation.

Part No.	Description
20100251	Kit, Extended Warranty

■ INGERSOLL RAND SYNTHETIC LUBRICANT

Part No.	Description
32318875	Lubricant, 5L Bottle
32318883	Lubricant, 6 Pack of .5L Bottles.

■ ELEMENTO DE FILTRO DE ALRE

Part No.	Description
32170979	Element, Air Filter

■ STEP SAVER KITS

Step Saver Kits provide all of the parts required to perform common repair tasks such as piston ring replacement or valve replacement.

Part No.	Description	Contents
20100277	Kit, Valve/Gasket	Valve wearing park and head gaskets that are destroyed in replacing valve park.
20100285	Kit, Ring/Gasket.	Complete set of piston rings, a crankshaft seal, and gaskets that are destroyed in breaking the unit down to replace the rings.

■ CRANKCASE HEATER KIT

Crankcase heaters are recommended when ambient temperatures are consistently below 32°F (0°C). An easy-to-Install external crankcase heater kit is intended for aftermarket use.

Part No.	Description
97330385	Kit, Crankcase Heater

■ MULTIPURPOSE AIR HOSES

These air hose assemblies are heavy duty, light weight hoses designed for 300 PSIG working pressure.

Part No.	Description
32323750	Hose, Air- 3/8" x 25' (1/4" Male NPT)
32323768	Hose, Air - 8" x 50' (1/4" Male NPT)
32323776	Hose, Air- 8" x 100' (1/4" Male NPT)

■ Y - STRAINERS

Y-strainers are designed to prevent foreign particles from moving downstream.

Part No.	Description
32323628	Y-Strainer, 1/4"
32323636	Y-Strainer, 1/2"



A series of horizontal lines spanning the width of the page, providing a template for writing.





SS5L5
SS5N5

Manual del propietario con la lista de piezas

ES Manual del propietario con la lista de piezas



Guarde estas instrucciones

IR *Ingersoll Rand*[®]

ÍNDICE

SEGURIDAD	4	MANTENIMIENTO	10
PRECAUCIONES GENERALES DE SEGURIDAD	4	RECAMBIO DEL FILTRO (SS5)	10
INFORMACIONES GENERALES	4	CAMBIO DE ACEITE	10
RECIBO E INSPECCIÓN	5	AJUSTE DE LA CORREA.....	11
INSTALACIÓN	6	INSPECCIÓN DEL TANQUE RECEPTOR	11
SELECCIÓN DE UNA UBICACIÓN	6	LOCALIZACIÓN DE FALLAS	12
GENERALIDADES	6	GARANTÍA Y LIMITACIÓN DE RESPONSABILIDAD	16
TEMPERATURA.....	6	16
ÁREAS HÚMEDAS	6	GARANTÍA	16
CONSIDERACIONES SOBRE EL RUIDO	6	LIMITACIÓN DE RESPONSABILIDAD	16
INSTALACIÓN PERMANENTE.....	6	LISTADO DE COMPONENTES	20
MONTAJE PERMANENTE TÍPICO (FERRETERÍA SUMINISTRADA POR EL CLIENTE)	6	JUEGOS Y ACCESORIOS	22
INSTALACIÓN DE L FILTRO DE ENTRADA DE AIRE	6	KIT DE GARANTÍA AMPLIADA	22
INSTALACIÓN DE TUBERÍA DE DESCARGA	6	LUBRICANTE SINTETICO INGERSOLL RAND PARA COMPRESORES	22
REQUISITOS GENERALES	7	ELEMENTO DE FILTRO DE ALRE.....	22
TUBERÍA DE DESCARGA DE LÍQUIDO CONDENSADO	7	JUEGOS AHORRAPASOS	22
CABLEADO ELÉCTRICO	7	JUEGOS DE CALEFACTOR DEL CARTER	22
GENERALIDADES	7	CONDUCTOS DE ALRE PARA VARLOS USOS	22
DIÁMETRO DEL CABLE	7	DEPURADORES EN Y.....	22
FUSIBLES	7		
LUBRICACIÓN DEL COMPRESOR	7		
LUBRICANTE SINTÉTICO	7		
OTROS LUBRICANTES	7		
PROCEDIMIENTOS DE LLENADO:.....	8		
ARRANQUE INICIAL.....	8		
OPERACIÓN	9		
GENERALIDADES	9		
ARRANQUE NORMAL	9		
PARADA:.....	9		

INGERSOLL-RAND[®]

AIR COMPRESSORS

Ingersoll-Rand Company
800-B Beaty Street
P. O. Box 1803
Davidson, NC 28036

1-800-AIR SERV
(1-800-247-7378)
www.air.ingersoll-rand.com

CONSUMER INFORMATION SHEET

Thank you for purchasing an Ingersoll-Rand product. We trust that it will offer you many years of trouble-free service. If you encounter any problems or need assistance, please refer to the information provided in this sheet.

INSTALLATION, OPERATION, MAINTENANCE & TROUBLESHOOTING ISSUES

Read the owner's manual first. Often this will clarify your understanding. If you still have problems, please call the toll-free hotline.

MISSING PARTS

If parts are missing call the toll free hotline. Have the serial number, part number, model number and parts list (with missing parts circled) handy when you call. Your parts will be shipped immediately.

SHIPPING DAMAGE OR DEFECTIVE PARTS

Each new product is inspected and in good condition prior to shipment from the factory. If your product was received in a condition that was less than satisfactory, or if you discover a defect that requires service or adjustment by qualified personnel, please contact your nearest authorized service representative.

DO NOT RETURN THE PRODUCT TO YOUR RETAILER!

**NOTE REGARDING
EXTENSION CORDS**

To avoid power loss and
overheating, use additional air
hose instead of an extension
cord.

**PARTS & SERVICE HOTLINE:
1-800-AIR SERV
(1-800-247-7378)**

SEGURIDAD

⚠ PELIGRO	Indica una situación peligrosa inminentemente la cual, si no se evita, resultará en la muerte o en lesiones graves.
⚠ ADVERTENCIA	Indica una situación potencialmente peligrosa la cual, si no se evita, resultará en la muerte o en lesiones graves.
⚠ PRECAUCIÓN	Indica una situación potencialmente peligrosa la cual, si no se evita, puede generar una lesión menor o moderada o daños a la propiedad.
AVISO	Indica información o una política de la compañía que se relaciona directa o indirectamente con la seguridad del personal o la protección de la propiedad.

■ PRECAUCIONES GENERALES DE SEGURIDAD

⚠ PELIGRO
AIRE DE ADMISIÓN. Puede contener monóxido de carbono u otros contaminantes. Causará lesiones graves o la muerte. Los compresores de aire Ingersoll Rand no están diseñados, destinados o aprobados para respirar aire. No se debe usar el aire comprimido para aplicaciones de aire respirable, a menos que se trate de acuerdo con todas las normas y reglamentos aplicables.

⚠ ADVERTENCIA
VOLTAJE PELIGROSO. Puede causar lesiones graves o la muerte. Desconecte la energía y purgue la presión del tanque antes de hacer mantenimiento. Bloquee/etiquete la máquina. El compresor se debe conectar a un circuito debidamente conectado a tierra. Vea las instrucciones de conexión a tierra en el manual. No opere el compresor en condiciones húmedas. Almacene en interiores.
PARTES MÓVILES. Pueden causar lesiones graves. No opere la máquina si se ha retirado el protector. La máquina puede empezar a funcionar automáticamente. Desconecte la energía antes de hacer mantenimiento. Bloquee/etiquete la máquina.
SUPERFICIES CALIENTES. Pueden causar lesiones graves. No tocar. Deje enfriar antes de hacer mantenimiento. No toque el compresor o la tubería caliente.
AIRE DE ALTA PRESIÓN. La derivación, modificación o retiro de las válvulas de seguridad/alivio puede causar lesiones graves o la muerte. No derive, modifique o retire las válvulas de seguridad/desahogo. No apunte el flujo de aire a las personas. Los tanques oxidados pueden causar una explosión y lesiones graves o la muerte. Vacíe el tanques diariamente o después cada uso. Válvula de drenaje ubicada al fondo del tanque.

⚠ PRECAUCIÓN
RIESGO DE EXPLOSIÓN. Utilice solamente piezas de manipulación de aire adecuadas que sean aceptables para presiones no inferiores a la presión máxima de trabajo admisible de la máquina.

INFORMACIONES GENERALES

Su compresor de aire esta adecuado para la operación de herramientas neumáticas, pistolas de calefatear, pistolas engrasadoras, chorreadoras de arena, etc. Se necesitan los siguientes accesorios según la aplicación:

- Un regulador de la presión de aire para ajustar la presión de aire entrante la herramienta o accesorio.
- Un filtro de la línea de aire para eliminar la humedad y el vapor de aceite del aire comprimido.
- Un lubricador en línea para prolongar la vida de las herramientas neumáticas.

- Transformadores de aire separados combinando las funciones de regulación de aire y/o la eliminación de la humedad y suciedad.

Comuníquese con su representante autorizado o llame al 1-800-AIR-SERV para informaciones adicionales de las herramientas neumáticas y los accesorios de aplicaciones individuales.

RECIBO E INSPECCIÓN

Asegúrese de disponer de equipos de levantamiento adecuados para descargar y trasladar su compresor al sitio de instalación.

AVISO

El equipo de levantamiento debe estar calibrado adecuadamente para el peso de la unidad.

Levante la unidad sólo por los patines de embarque.. Use straps to prevent tipping.



PRECAUCIÓN

No trabaje ni transite bajo la unidad mientras se encuentra suspendida.

Antes de firmar el recibo de entrega, asegúrese de que no falten piezas ni hayan piezas dañadas. Si hay evidencia de daños o de que faltan piezas, haga la anotación respectiva en el recibo de entrega y luego fírmelo. Comuníquese inmediatamente con el transportista para que realice una inspección.

Todo el material se debe mantener en el lugar de recepción para la inspección del transportista.

Los recibos de entrega firmados que no tienen anotación de daños o piezas faltantes se consideran como prueba de una entrega "sin

problemas". Cualquier reclamo posterior se considerará como demanda por daños ocultos. Liquide cualquier demanda por daños con la empresa de transporte.

Si descubre algún daño después de recibir la unidad (daño oculto), debe notificar al transportista dentro de un plazo de 15 días después del recibo y solicitar por teléfono una inspección, con una confirmación por escrito. En las demandas por daños ocultos, la responsabilidad de establecer que la unidad se dañó durante el transporte recae en la persona que hace el reclamo.

Lea la placa de identificación del compresor para verificar que corresponde al modelo solicitado y lea la placa del motor para verificar que es compatible con sus condiciones eléctricas. Asegúrese de que las cajas y componentes eléctricos sean los adecuados para el entorno de instalación.

INSTALACIÓN

■ SELECCIÓN DE UNA UBICACIÓN

■ GENERALIDADES

Seleccione un área interior relativamente limpia y bien iluminada, con suficiente espacio para permitir una adecuada ventilación, flujo de aire de enfriamiento y accesibilidad. Ubique la unidad a una distancia de por lo menos 12 pulgadas (30 cm) de las paredes y asegúrese de que la alimentación principal está claramente identificada y sea accesible.

■ TEMPERATURA

Las temperaturas de operación ideales fluctúan entre los 32°F y los 100°F (0°C y 37,8°C). Si las temperaturas bajan sistemáticamente a menos de 32°F (0°C), ubique el compresor dentro de un área calefaccionada. Si esto no es posible, se deben proteger las válvulas de desahogo/seguridad y de drenaje contra el congelamiento.

⚠ PRECAUCIÓN

No haga funcionar el compresor a temperaturas inferiores a -15°F (-26,1°C) o superiores a 125°F (51,0°C).

■ ÁREAS HÚMEDAS

En áreas frecuentemente húmedas, se puede acumular humedad en la bomba y producir sedimentos en el lubricante. Esto causará el desgaste prematuro de las piezas móviles. Es muy probable que se produzca un exceso de humedad si la unidad está ubicada en un área sin calefacción sujeta a grandes cambios de temperatura.

Dos signos de exceso de humedad son la condensación externa en la bomba cuando ésta se enfría y un aspecto "lechoso" del lubricante de petróleo.

Evite que se acumule humedad en la bomba aumentando la ventilación, operando la máquina durante periodos más prolongados o instalando calefactores en el cárter.

■ CONSIDERACIONES SOBRE EL RUIDO

Consulte a las autoridades locales sobre los niveles aceptables de ruido en su área. Para reducir el exceso de ruido, use silenciadores en la admisión o almohadillas aislantes de la vibración, ubique la unidad en otro lugar o construya recintos totalmente cerrados o paredes acústicas.

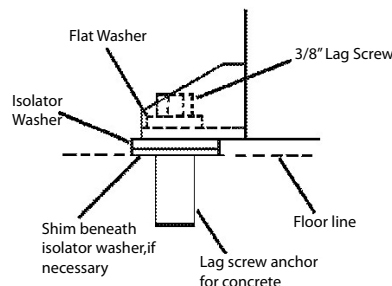
■ INSTALACIÓN PERMANENTE

⚠ ADVERTENCIA

Antes del montaje, retire la unidad de los patines.

El compresor debe ser montado permanentemente. Emperne la compresor a una base nivelada y firme (como un piso de concreto). No apriete excesivamente las patas desniveladas a la base, ya que esto causará una excesiva tensión sobre el tanque receptor. Si es necesario, use cuñas de metal bajo las patas más cortas.

■ MONTAJE PERMANENTE TÍPICO (FERRETERÍA SUMINISTRADA POR EL CLIENTE)



■ INSTALACIÓN DEL FILTRO DE ENTRADA DE AIRE

⚠ PRECAUCIÓN

No haga funcionar la unidad sin un filtro de entrada de aire.

Si el aire que rodea el compresor está relativamente libre de basura, instale el filtro para entrada de aire en las conexiones de entrada al compresor. Si se requiere tubería de entrada de aire remota o para filtración pesada, comuníquese con su distribuidor para más información.

■ INSTALACIÓN DE TUBERÍA DE DESCARGA

Para la instalación de la tubería de descarga de aire o de líquido condensa, observe las siguientes recomendaciones. Comuníquese con su distribuidor para más información.

⚠ ADVERTENCIA

No use tubería plástica, accesorios de cobre soldados, manguera de caucho o uniones soldadas con plomo-estaño en ninguna parte del sistema de aire comprimido.

⚠ ADVERTENCIA

Si se añade un posenfriador, válvula de retención, válvula de bloqueo o cualquier otra restricción a la descarga del compresor, se debe instalar una válvula de seguridad/ desahogo adecuadamente dimensionada y aprobada por ASME entre la descarga del compresor y la restricción.

⚠ PRECAUCIÓN

Si usa el lubricante sintético para compresores, todo el material de la tubería descendente y los componentes del sistema deben ser compatibles. Consulte la lista de compatibilidad de materiales que se indica a continuación. Si hay materiales incompatibles en su sistema o si hay materiales que no aparecen en la lista, comuníquese con su distribuidor o llame al 1-800-AIR-SERV.

LUBRICANTE SINTÉTICO PARA COMPRESORES**LISTA DE COMPATIBILIDAD DE MATERIALES****ADECUADOS :**

FKM (Fluoroclastomer), PTFE, epoxia (relleno con vidrio), alquid existente al aceite, fluorosilicona, fluorocarbono, polisulfuro, uretano de dos componentes, nilón, Delrin®, Celcon®, goma con alto contenido de nitrilo (Buna N. NBR con más de un 36% de acrilonitrilo), poliuretano, polietileno, epíclorhidrina, poliacrilato, melamina, polipropileno, fenólicos secados, epoxias, alquidos modificados (® indica una marca registrada de DuPont Corporation).

NO RECOMENDADOS :

Neoprén, goma natural, goma SBR, pintura acrílica, laca, barniz, poliestireno, PVC, ABS, policarbonatos, acetato de celulosa, goma con bajo contenido de nitrilo (BUNA N. NBR con menos de un 36% de acrilonitrilo), EPDM, acetato de vinilo etileno, látex, EPR, acrílicos, fenoxi, polisulfones, acrilonitrilo estireno (San), butilo

REQUISITOS GENERALES

Las tuberías, accesorios, tanque receptor, etc., deben ser de seguridad certificada para al menos la presión de trabajo de la unidad. Use tuberías y accesorios de cobre o hierro fundido de acero roscado o soldadura dura que tengan seguridad certificada para la presión y temperatura de descarga del compresor. **NO USE PLÁSTICO PVC**. Use sellante de roscas en todas las roscas y junte herméticamente las uniones para evitar fugas de aire.

TUBERÍA DE DESCARGA DE LÍQUIDO CONDENSADO

Caso de que si instala un tubo de descarga de líquido condensado, la tubería debe tener ser de al menos un tamaño más grande que la conexión, debe ser tan corta y directa como sea posible y debe estar adecuadamente encaminada a un punto de drenaje o. Se debe desechar el líquido condensado en conformidad con las leyes y normativas locales, federales y estatales.

AVISO

Todos los sistemas de aire comprimido producen líquido condensado que se acumula en todos los puntos de drenaje (por ejemplo, tanques, filtros, tubos de goteo, posenfriadores, secadores, etc.). Este líquido condensado contiene aceite lubricante y/o otras materias que pueden estar sujetos a regulaciones y se deben desechar en conformidad con las leyes y normativas locales, federales y estatales.

CABLEADO ELÉCTRICO**PRECAUCIÓN**

La instalación y el servicio eléctrico deben ser realizados por un electricista calificado que esté familiarizado con todas las leyes y normativas locales, estatales y federales correspondientes.

AVISO

Este compresor debe ser conectado a un sistema de cableado permanente, metálico, de conexión a tierra o una conductor de conexión a tierra del compresor.

GENERALIDADES

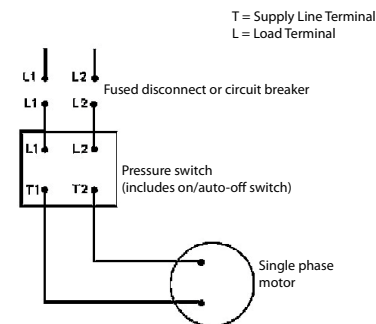
La capacidad nominal del motor indicada en la placa del motor y la fuente de energía deben tener características compatibles de voltaje, fase y hertzios.

DIÁMETRO DEL CABLE

El cableado eléctrico entre la fuente de energía y el motor eléctrico varía de acuerdo con los caballos de fuerza del motor y otros factores. Instale conductores de corriente del tamaño adecuado como protección contra una excesiva caída de voltaje durante la puesta en marcha. Consulte el Código Eléctrico Nacional (NEC) para obtener información sobre la selección del tamaño apropiado del cable y la fijación de las conexiones eléctricas. Si conecta otros equipos eléctricos al mismo circuito, considere la carga eléctrica total cuando seleccione el tamaño apropiado de cable. **NO USE CABLES DE DIÁMETRO INSUFICIENTE.**

FUSIBLES

Consulte el Código Eléctrico Nacional para determinar la capacidad nominal adecuada de los fusibles e interruptores automáticos que se requieren. Al seleccionar los fusibles, recuerde que la corriente de arranque momentánea de un motor eléctrico es mayor que su corriente a plena carga. Se recomiendan fusibles temporizados o de acción retardada.

Cableado monofásico**LUBRICACIÓN DEL COMPRESOR****PRECAUCIÓN**

No haga funcionar el compresor sin lubricante o con un lubricante inadecuado. Ingersoll-Rand no se hace responsable en caso de fallas del compresor causadas por una lubricación inadecuada.

LUBRICANTE SINTÉTICO

Se recomienda usar el lubricante sintético **Ingersoll Rand** el sintético para compresores desde el inicio de las operaciones. Consulte la sección GARANTÍA para obtener información respecto a la garantía ampliada.

OTROS LUBRICANTES

Puede usar o un lubricante basado en petróleo comparable que sea de primera calidad, que no contenga detergentes, que contenga sólo agentes anticorrosivos, antioxidantes y antiespumantes como aditivos, con un punto de inflamación de 440°F (227°C) o superior y una temperatura de ignición de 650°F (343°C) o superior.

Consulte la tabla de viscosidad de lubricantes de petróleo a continuación. La tabla pretende servir sólo como guía general. Las condiciones de operación de uso intensivo requieren una mayor viscosidad. Para obtener recomendaciones, consulte a su Distribuidor sobre sus condiciones de operación específicas.

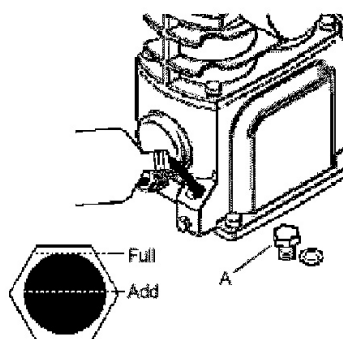
Temperatura alrededor del compresor		Viscosidad a 100°F (37.8°C)		Grado de viscosidad	
°F	°C	SUS	Centistokes	ISO	SAE
40 & below	4.4 & below	150	32	32	10
40-80	4.4-26.7	500	110	100	30
80-125	26.7-51.0	750	165	150	40

Si usa un lubricante en base a petróleo para compresores durante la puesta en marcha y posteriormente decide cambiar a **Ingersoll Rand**, the Select, se debe descarbonizar y lavar la bomba antes de la conversión.

■ PROCEDIMIENTOS DE LLENADO:

1. Destornille y saque el tapón de llenado de aceite (A).
2. lentamente llene el cárter con lubricante hasta que el lubricante alcanza el hilo superior de la abertura de llenado de aceite y la parte superior de la mirilla. Capacidad del cárter para la SS3 es la mitad (0,5) litros. Capacidad del cárter para el SS5 es de un (1) litro.
3. Vuelva a poner el tapón del aceite y **APRIETE ÚNICAMENTE A MANO**.

Procedimientos de llenado



■ ARRANQUE INICIAL

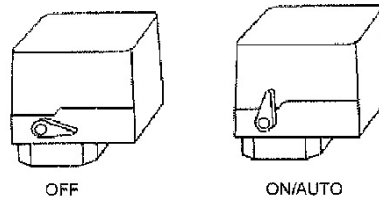
INTERRUPTOR DE PRESIÓN:

El interruptor de presión se preestablece en la presión requerida. Los ajustes de la gama y del diferencial **NO SON** ajustables. El interruptor de presión no se debe tratar de forzar con de ninguna manera y ninguna tentativa no se debe hacer para ajustar los ajustes de la presión pues ésta podría dañar el interruptor al punto de la falta y/o anular cualquier garantía para el interruptor de presión.

Observe este procedimiento para poner en servicio la unidad por primera vez:

1. Ponga la palanca del disyuntor neumático en la posición "OFF".

• Palanca del disyuntor neumático



2. Abra lentamente la válvula de servicio para evitar que la presión de aire de la construcción en el tanque. (A=Abierta, B=Cerrada).

• Válvula de servicio

3. Ponga la palanca del disyuntor neumático en "ON / AUTO". La unidad se arranque.
4. Opere la unidad por 30 minutos. Asegúrese de que la válvula de servicio está completamente abierta y que no hay acumulación de presión dentro del tanque receptor.

⚠ PRECAUCIÓN

Los ruidos o vibraciones poco comunes indican que hay un problema. No continúe con la operación hasta después de identificar y solucionar la causa del problema. EN CASE CONDICIONES DE EMERGENCIA, APAGUE INMEDIATAMENTE LA ALIMENTACIÓN PRINCIPAL.

5. Después de 30 minutos, cierre la válvula de servicio completamente. El tanque receptor de aire se llena hasta la presión y el motor se para. La unidad está lista para operación.

OPERACIÓN

■ GENERALIDADES

El compresor fue diseñado para funcionar a un régimen continuo de 100% con el uso del lubricante sintético **Ingersoll Rand** para compresores y un régimen continuo de 60% con el uso de otros lubricantes de petróleo. O sea, el uso de un lubricante sintético permite al compresor de bombear continuamente sin ciclación. Un lubricante de petróleo limita al compresor de funcionar un máximo de 36 minutos de tiempo de bombeo por hora. El compresor no debe ciclar más de 10 veces por hora.

■ ARRANQUE NORMAL

1. Ponga la palanca del disyuntor neumático en la posición "OFF".
2. Cierre la válvula de servicio.
3. Conecte el tubo y los accesorios.
4. Ponga la palanca del disyuntor neumático en 'ON/AUTO. La unidad se arranca.
5. Permite que la presión del tanque receptor aumenta. El motor se para cuando la presión del tanque receptor se llenará a la presión de corte.
6. Abre la válvula de servicio. La unidad está lista para operación.

■ PARADA:

1. Ponga la palanca del disyuntor neumático en la posición "OFF".
2. Cierre la válvula de servicio completamente.
3. Saque la herramienta neumática o los accesorios.
4. Lentamente abra la válvula de servicio para purgar la presión de aire a 20 psig.
5. Lentamente abra la válvula de drenaje manual al fondo del tanque receptor para drenar todo el condensado (agua).
6. Cierre la válvula de drenaje y la válvula de servicio para su uso futuro.

AVISO

Cuando la presión del tanque receptor baja a menos del mínimo preestablecido en la fábrica, el disyuntor neumático se ponga a cero y rearranque la unidad.

MANTENIMIENTO

⚠ ADVERTENCIA

Antes de realizar actividades de mantenimiento, desconecte, bloquee y ponga las etiquetas correspondientes en la fuente principal de energía y libere la presión de aire del sistema.

AVISO

Todos los sistemas de aire comprimido contienen componentes sujetos a mantenimiento (por ejemplo, aceite lubricante, filtros, separadores) que se deben reemplazar periódicamente. Estos componentes usados pueden o no contener sustancias sujetas a regulación y se deben desechar en conformidad con las leyes y normativas locales, federales y estatales.

AVISO

Tome nota de las posiciones y ubicaciones de las piezas durante el desmontaje para facilitar el reensamblaje. Las secuencias del montaje y las piezas ilustradas pueden diferir para su unidad particular.

AVISO

Cualquier operación de servicio que no se incluya en esta sección debe ser ejecutada por un representante autorizado.

PROGRAMA DE MANTENIMIENTO DE RUTINA

Diariamente o antes de cada operación	Revise el nivel del lubricante. Rellene según sea necesario.
	Drene el líquido condensado del tanque receptor. Abra la válvula de drenaje manual, recoja y disponga del líquido condensado según corresponda.
	Verifique si hay vibraciones y ruidos inusuales.
	Asegúrese de que los guardabandas y las cubiertas estén bien sujetos en su lugar.
	Asegurese de que el área alrededor del compresor esté libre de trapos, herramientas, escombros y materiales inflamables o explosivos.
Semanalmente	Revise el elemento del filtro de aire. Limpie o reemplace si es necesario.
Mensualmente	Verifique si hay fugas de aire. Ponga agua jabonosa alrededor de las juntas mientras el compresor está funcionando y observe si se producen burbujas.
	Revise el apriete de los tornillos y pernos. Vuelva a apretar si es necesario.
	Revise las correas de transmisión. Ajuste si es necesario.
	Limpie el exterior.
3/500 *	Cambie el lubricante sintético mientras el cárter esté tibio.

12/2000 *

Cambie el lubricante sintético mientras el cárter esté tibio.

Reemplace el elemento de filtro.

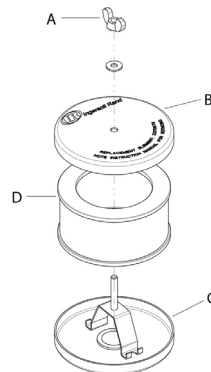
* indica meses/horas de operación, lo que ocurra primero.

■ RECAMBIO DEL FILTRO (SS5)

1. Destornille y saque la tuerca mariposa (A) que fija la caja del filtro (B) a su base (C).
2. Saque la caja del filtro y retire el elemento de filtro antiguo (D). Limpie el elemento con un chorro de aire o un aspirador.
3. Reinstale el elemento de filtro y la caja apretando la tuerca mariposa.

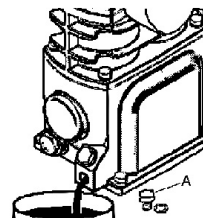
AVISO

Las aperturas de aspiración de aire en el deflector y la cubierta deben alternarse a 180°. Durante la reinstalación del conjunto a la conexión de entrada, asegúrese de que la apertura de aspiración está al fondo para minimizar la entrada de materias extrañas desde el aire.



■ CAMBIO DE ACEITE

1. Saque el tapón de drenaje de aceite (A) y deje que el lubricante se vacíe en un contenedor adecuado.
2. Vuelva a poner el tapón de drenaje de aceite.
3. Siga los procedimientos de llenado de la sección OPERACIÓN.



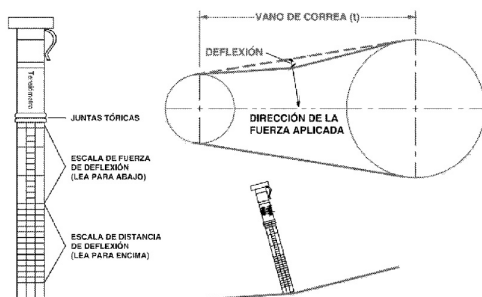
■ AJUSTE DE LA CORREA

• COMPROBACIÓN DE LA TENSIÓN DE LA CORREA

Compruebe ocasionalmente la tensión de la correa, especialmente si sospecha aflojamiento. Se puede hacer una comprobación rápida para determinar si el ajuste es apropiado, observando si hay un leve arco en el lado flojo de la correa cuando la unidad está en operación. Si hay un leve arco, por lo común la correa está satisfactoriamente ajustada.

• TENSADO DE CORREAS

El tensado de la correa se puede lograr mediante el aflojamiento los tornillos de anclaje del motor, alejando el motor de la bomba y volviendo a apretar los tornillos de anclaje del motor. Algunas unidades están provistas de un perno de tensado de correa que, cuando se gira, aleja el motor de la bomba. Si no lo tienen, el motor se puede mover fácilmente colocando bajo él una herramienta de palanca. Si es necesario el tensado, también puede ser útil un separador comercial u otro dispositivo de tensado de correas.



Sigue los procedimientos a continuación para fijar y medir la tensión de las correas correctamente.

1. Apoye un borde recto en la superficie exterior superior de la transmisión de la correa, desde la polea a la roldana.
2. Al centro del tramo, en forma perpendicular a la correa, aplique presión a la superficie exterior de la correa con un medidor de tensión. Fuerce la correa a la flexión indicada en la tabla de tensión de correa en la sección diagramas y tablas. Compare la lectura del medidor de tensión con la siguiente tabla.

Flexión en pulgadas	Tensión mín. (Lbs.)	Tensión máx. (Lbs.)
0.17	3.0	6.0

Antes de volver a poner en marcha el compresor, compruebe que la polea y la roldana estén adecuadamente alineadas y que los tornillos de anclaje del motor se vuelvan a apretar adecuadamente.

⚠ PRECAUCIÓN

La alineación inadecuada de la polea y la roldana y la tensión inadecuada de la correa puede tener como resultado sobrecarga del motor, exceso de vibración y falla prematura de la correa y/o el rodamiento.

Para evitar estos problemas, compruebe que la polea y la roldana estén alineadas y que la tensión de la correa sea satisfactoria después de instalar correas nuevas o de tensar correas existentes.

■ INSPECCIÓN DEL TANQUE RECEPTOR

La vida útil de un tanque receptor de aire depende de varios factores, incluyendo, entre otras cosas, condiciones operativas, ambientales y nivel de mantenimiento. El efecto preciso de estos factores sobre la vida útil del tanque es difícil de predecir; por lo tanto, **Ingersoll Rand** le recomienda programar una inspección certificada del tanque durante los primeros cinco años de uso del compresor. Para concertar una inspección de tanque, comuníquese con IR Air Center or distributor, or call 1-800-AIR SERV.

Si el tanque no se ha inspeccionado dentro de los primeros 10 años de uso del compresor, el receptor se debe dejar fuera de servicio hasta que haya pasado la inspección. Los tanques que no cumplen con los requisitos deben ser reemplazados.

⚠ ADVERTENCIA

El no reemplazar un estanque receptor de aire oxidado, el resultado puede ser la ruptura o explosión de dicho tanque, lo que podría provocar importantes daños a la propiedad y graves lesiones a las personas o incluso la muerte. Nunca modifique ni repare el tanque. Consiga su reemplazo en el centro de servicio técnico.

LOCALIZACIÓN DE FALLAS

PROBLEMA	CAUSA POSIBLE	SOLUCION POSIBLE
Desgaste anormal del cilindro, anillo o piston.	Lubricante poco viscoso.	Drene el lubricante y vuelva a llenar con uno adecuado.
	Muy poco lubricante.	Agregue lubricante al carter hasta el nivel adecuado.
	Se esta usando lubricante tlp0 detergente.	Drene el lubricante y vuelva a llenar con uno adecuado.
	Cilindros o pistones rayados, gastados o cortados.	Repere o reemplace segun sea necesario.
	Atmosfera extremadamente polvorienta.	Instale tuberla y acceso de aire remoto a una fuente de aire mas limpio. Instale un filtro mas eficaz.
	Capa superficial del cilindro desgastada.	Limpie el cilindro con flex-hone de 180 granulos.
La entrega de aire disminuye	Entrada y/o filtro del tubo de descarga sucio o atascado.	Limpie o reemplace.
	Filtraciones de aire en la tuberia de descarga de aire.	Revise la tuberia y las conexiones.
	Lubricante demasiado viscoso.	Drene el lubricante y vuelva a llenar con uno adecuado.
	Valvulas del compresor rotas, carbonizadas, sueltas o con filtraciones.	Inspeccione las valvulas. Limpie o reemplace segun sea necesario. Instale el Juego de valvulas.
	Anillos del piston danados o gastados (rotos, rugosos o rayados). Espacio final o separacion lateral excesiva.	Instale el Juego de anillos.
	Los anillos del piston no estan asentados, estan pegados a las ranuras o los espacios finales no estan escalonados.	Ajuste los anillos del piston.
	Cilindros o pistones rayados, gastados o cortados.	Repere o reemplace segun sea necesario.
	Valvula de seguridad/descarga defectuosa.	Reemplace.
El compresor no llega a la velocidad deseada	Rueda de la banda o polea del motor de partida sueltas, juego excesivo en el eje del motor o bandas de la transmisidn sueltas.	Revise la tension y alineacion de la rueda de la banda, polea del motor de partida, ciguenal, y banda de transmision. Repere o reemplace segun sea necesario.
	Lubricante demasiado viscoso.	Drene el lubricante y vuelva a llenar con uno adecuado.
	Voltaje de linea incorrecta.	Revise el voltaje de linea y mejore segun necesario. Comuniquese con un electricista.
	Valvulas del compresor rotas, carbonizadas, sueltas o con filtraciones.	Inspeccione las valvulas. Limpie o reemplace segun sea necesario. Instale el Juego de valvulas.
	Cojinetes de bolas defectuosos en el ciguenal o eje del motor de partida.	Inspeccione los cojinetes y reemplace el ensamblaje del ciguenal si es necesario.
El wmpresor tarda en llegar a la velocidad deseada	Lubricante demasiado viscoso.	Drene el lubricante y vuelva a llenar con uno adecuado.
	Valvula de retencion con filtraciones o asiento de la valvula fundido.	Reemplace la vdlvula de retencion.
	Temperatura ambiente demasiado baja.	Ubique el compresor en un ambiente mds cdlido. Instale juego calefactor del cdrter..
	Motor danado.	Reemplace.
El compresor se vuelve excesivamente caliente durante el funcionamiento	Ventilation inadecuada en la rueda de la banda.	Ubique el compresor en una posicion con mejor ventilacion.
	Bandas de transmision muy apretadas o mal alineadas.	Ajuste las bandas a la tension y alineacion adecuadas.
	Valvulas del compresor rotas, carbonizadas, sueltas o con filtraciones.	Inspeccione las valvulas. Limpie o reemplace segun sea necesario. Instale el Juego de valvulas.
	Sentido erroneo de rotacion de la rueda de banda.	Revise el cableado del motor para conexiones adecuadas. Invierte dos conductores de motores trifasicos.

Ruido excesivo durante la operacion	Rueda de la banda o polea del motor de partida sueltas, juego excesivo en el eje del motor o bandas de la transmision sueltas.	Revise la tension y alineacion de la rueda de la banda, polea del motor de partida, cigueial, y banda de transmision. Repare o reemplace segun sea necesario.
	Lubricante demasiado viscoso.	Drene el lubricante y vuelva a llenar con uno adecuado.
	Muy poco lubricante.	Agregue lubricante al carter hasta el nivel adecuado.
	Valvulas del compresor rotas, carbonizadas, sueltas o con filtraciones.	Inspeccione las valvulas. Limpie o reemplace segun sea filtraciones necesario. Instale el Juego de valvulas.
	Acumulacion de carbono sobre el o los pistones.	Limpie el o los pistones. Repare o reemplace segun sea necesario.
	Cojinetes de bolas defectuosos en el ciguenal o eje del motor de partida.	Inspeccione los cojinetes y reemplace el ensamblaje del cigueial si es necesario.
	Valvula de retencion con filtraciones o asiento de la valvula fundido.	Reemplace la valvula de retencion.
Demasiadas partidas y paradas	Filtraciones de aire en la tuberia de descarga de aire.	Revise la tuberia y las conexiones.
	Diferencial del disyuntor neumatico demasiado estrecho.	Ajuste el disyuntor neumatico para aumentar el diferencial si hay ajuste de diferencial. Instale un disyuntor neumatico con caracteristica de ajuste de diferencial, si se desea ajuste de diferencial.
	Condensacion excesiva en tanque receptor.	Drene el tanque receptor con la valvula de drenaje manual.
Consumo alto de aceite	Entrada y/o filtro del tubo de descarga sucio o atascado.	Limpie o reemplace.
	Lubricante poco viscoso.	Drene el lubricante y vuelva a llenar con uno adecuado.
	Se esta usando lubricante tipo detergente.	Drene el lubricante y vuelva a llenar con uno adecuado.
	Anillos del piston danados o gastados (rotos, rugosos o rayados). Espacio final o separacion lateral excesiva.	Instale el Juego de anillos.
	Los anillos del piston no estan asentados, estan pegados a las ranuras o los espacios finales no estan escalonados.	Ajuste los anillos del piston.
	Cilindros o pistones rayados, gastados o cortados.	Repare o reemplace segun sea necesario.
	Cojinetes de la varilla de union, pasador del piston o del munon gastados o cortados.	Inspeccione todo. Repare o reemplace segun sea necesario.
	Reten del ciguenal gastado o ciguenal cortado.	Reemplace el reten o ensamblaje del ciguenal.
	Capa superficial del cilindro desgastada.	Limpie el cilindro con flex-hone de 180 granulos.
Golpea o tintinea	Rueda de la banda o polea del motor de partida sueltas, juego excesivo en el eje del motor o bandas de la transmision sueltas.	Revise la tension y alineacion de la rueda de la banda, polea juego excesivo en el eje del motor o bandas de la del motor de partida, cigueial, y banda de transmision. Repare o reemplace segun sea necesario.
	Valvulas del compresor rotas, carbonizadas, sueltas o con filtraciones.	Inspeccione las valvulas. Limpie o reemplaze segun sea filtraciones necesario. Instale el Juego de valvulas.
	Acumulacion de carbono sobre el o los pistones.	Limpie el o los pistones. Repare o reemplace segun sea necesario.
	Cilindros o pistones rayados, gastados o cortados.	Repare o reemplace segun sea necesario.
	Cojinetes de la varilla de union, pasador del piston o del munon gastados o cortados.	Inspeccione todo. Repare o reemplace segun sea necesario.
	Cojinetes de bolas defectuosos en el ciguenal o eje del motor de partida.	Inspeccione los cojinetes y reemplace el ensamblaje del cigueial si es necesario.

Lamparas destellantes o debiles durante la operacdn	Voltaje de linea incorrecta.	Revise el voltaje de linea y rnejore segtin necesario. required. Comuniquese con un electricista.
	Cableado o panel de servicio demasiado pequeiio.	Instale cableado o caja de servicio correctamente dimensionado. Comunlquese con un electricista.
	Contacto incorrecto de los terminales del motor o conexiones del arrancador.	Provee bueno wntacto de los terminales del motor o conexiones del arrancador.
	Calefactores incorrectos de sobrecarga del arrancador.	Instale calefactores correctos de sobrecarga del arrancador. Comunlquese con un electricista.
	Deficiente regulaci3n de la potencia (linea desbalanceada).	Consulte a la cornpafla elktrlca.
Humedad en el carter o apariencia "lechosa" en el lubricante de petrbleo o herrllrnhre en lns cilndrns	Se esta usando lubricante tipo detergente.	Drene el lubricante y vuelva a llenar con uno adecuado.
	Ciclos de operacion muy cortos.	Opere el compresor con ciclos de operaci3n mls largos.
	Compresor ublcado en area humeda o rnojada.	Ublque el compresor en otra parte.
Sobrecarga del motor se desccnecta o consume corriente excesivo.	Lubricante demasiado viscoso.	Drene el lubricante y vuelva a llenar con uno adecuado.
	Voltaje de linea incorrecta.	Revise el voltaje de llinea y mejore seglln necesario. Comuniquese con un electricista..
	Cableado o panel de servicio demasiado pequeiio.	Instale cableado o caja de servicio correctamente. dlmensionado. Comunlquese con un electricista.
	Contacto incorrecto de los terminales del motor o conexlones del arrancador.	Provee bueno contact0 de los terminales del motor o conexlones del arrancador.
	Calefactores incorrectos de sobrecarga del arrancador.	Instale calefactores correctos de sobrecarga del arrancador. Comunlquese con un electricista.
	Deficiente regulacibn de la potencia (linea desbalanceada).	Consulte a la cornpania electrica.
	Bandas de transmisi3n muy apretadas o ma1 allneadas.	Ajuste las bandas a la tension y alineacion adecuadas.
	Valvulas del compresor rotas, carbonizadas, sueltas o con filtraciones.	Inspeccione las valvulas. Limpie o reemplace segdn sea necesario. Instale el Juego de valvulas.
	Cilindros o pistones rayados, gastados o cortados.	Repare o reemplace segrln sea necesario.
	Cojinetes de la varilla de uni3n, pasador del pist3n o del munon gastados o cortados.	lInspeccione todo. Repare o reemplace segrln sea necesario.
	CoJlnetes de bolas defectuosos en el ciguenal o eje del motor de partida.	Inspeccione los cojinetes y reemplace el ensamblaje del cigileiial si es necesario.
	Valvula de retencidn con filtraciones o asiento de la vllvula fundido.	Reemplace la valvula de retenci3n.
	Temperatura ambiente demaslado baja.	Ubique el compresor en un ambiente mas calido. Instale juego calefactor del clrter. Convierta a lubricante sintetico.
	Motor dafiado.	Reemplace.
Motor no arranque	Voltaje de linea incorrecta.	Revise el voltaje de linea y mejore segtin necesario. Comuniquese con un electricista.
	Cableado o panel de servicio demasiado pequeno.	Instale cableado o caja de servicio correctamente dlmensionado. Comunlquese con un electricista.
	Contacto incorrect0 de los terminales del motor o conexlones del arrancador.	Provee bueno contacto de los terminales del motor o conexiones del arrancador.
	Calefactores incorrectos de sobrecarga del arrancador.	Instale calefactores correctos de sobrecarga del arrancador. Comuniquese con un electrclista.
	Motor dafiado.	Reemplace.

Aceite en descarga de aire (bombeo de aceite)	Lubricante pow viswso.	Drene el lubricante y vuelva a llenar wn uno adecuado.
	Se est6 usando lubricante tipo detergente.	Drene el lubricante y vuelva a llenar wn uno adecuado.
	Anillos del pistdn danados o gastados (rotos, rugosos o rayados). Espacio final o separacids lateral excesiva.	Instale el Juego de anillos.
	Los anillos del pistdn no esun asentados, estln pegados a las ranuras o los espacios finales no estan escalonados.	Ajuste los anillos del pist6n.
	Cilindros o pistones rayados, gastados o cortados.	Repare o reemplace segtin sea necesario.
	Capa superficial del cilindro desgastada.	Limpie el cilindro con flex-hone de 180 grhnulos.
	Condensacids excesiva en tanque receptor.	Drene el tanque receptor con la vdlvula de drenaje manual.
Escape de aceite del reten del ria	Reten del cigileiial gastado o ciguenial cortado.	Reemplace el reten o ensamblaje del ciglleiial.
La valvula de seguridad/descarga 'salta'	Entrada y/o filtro del tubo de descarga sucio o atascado.	Limpie o reemplace.
	Valvulas del cornpresor rotas, carbonizadas, sueltas o con filtraciones.	Inspeccione las valvulas. Limpie o reernplace segun sea necesario. Instale el Juego de valvulas.
	Valvula de seguridad/descarga defectuosa.	Reemplace

GARANTÍA Y LIMITACIÓN DE RESPONSABILIDAD

■ GARANTÍA

Ingersoll Rand Company garantiza que los equipos que fabrica y distribuye conforme a este documento estarán libres de defectos tanto en sus materiales como en su fabricación, durante un período de doce (12) meses desde la fecha en que los Equipos se ponen en operación o de dieciocho (18) meses desde el momento del embarque, lo que suceda primero. Este período de garantía se aplicará a todos los Equipos, salvo los siguientes:

1. Para los compresores adquiridos con un kit de garantía ampliada que funcionan únicamente con el lubricante sintético de **Ingersoll Rand** incluido, el compresor solo estará cubierto por una garantía de veinticuatro (24) meses desde la fecha de puesta en funcionamiento inicial o de treinta (30) meses desde la fecha de envío.
2. Los repuestos tendrán una garantía de seis (6) meses desde la fecha de embarque.

Si dentro de dicho período se informa por escrito a la Compañía de algún tipo de incumplimiento de las condiciones de esta Garantía, la Compañía a su discreción corregirá dicho incumplimiento reparando el Equipo en forma apropiada o proporcionará un reemplazo F.O.B. en el punto de embarque, siempre y cuando el comprador haya instalado, mantenido y operado dicho Equipo en conformidad con prácticas industriales correctas y haya cumplido con las recomendaciones específicas de la Compañía. Los accesorios o equipos provistos por la Compañía pero fabricados por otros mantendrán todas las garantías traspasadas a **Ingersoll Rand** Company por su fabricante y que puedan ser transferidas al Comprador. La Compañía no se hará responsable de reparaciones, reemplazos o ajustes a los Equipos o de ningún tipo de costo por mano de obra en que incurra el Comprador que no cuenten con la previa autorización por escrito de la Compañía.

La Compañía no otorga ningún tipo de garantía de buena ejecución, a menos que se estipule específicamente dentro de sus propuestas, y esta Garantía excluye específicamente los efectos de la corrosión, erosión y el desgaste normal. En aquellos casos donde expresamente se incluyan garantías de buena ejecución, la obligación de la Compañía será efectuar correcciones en la manera y durante el plazo estipulado más arriba.

LA COMPAÑÍA NO HACE NINGÚN OTRO TIPO DE DECLARACIÓN, EXPRESA O IMPLÍCITA, SALVO AQUELLA DE PROPIEDAD Y POR ESTE MEDIO SE DECLINAN TODAS LAS GARANTÍAS IMPLÍCITAS DE COMERCIABILIDAD Y APTITUD PARA UN FIN EN PARTICULAR.

La corrección de los incumplimientos de la Compañía, sean patentes o latentes, en la forma y durante el plazo estipulado más arriba, deberá constituir el cumplimiento de todas las responsabilidades de la Compañía y sus Distribuidores, para aquellos incumplimientos respecto a o que surjan de dichos Equipos.

■ LIMITACIÓN DE RESPONSABILIDAD

LOS RECURSOS DEL COMPRADOR ESTIPULADOS EN ESTE DOCUMENTO SON EXCLUSIVOS Y LA RESPONSABILIDAD TOTAL DE LA COMPAÑÍA, SUS DISTRIBUIDORES Y PROVEEDORES, CON RESPECTO AL CONTRATO O EQUIPOS Y SERVICIOS PROVISTOS, EN RELACIÓN CON LA EJECUCIÓN O SU FALTA DE CUMPLIMIENTO O QUE SURJAN DE LA FABRICACIÓN, VENTA, ENTREGA, INSTALACIÓN, REPARACIÓN O DIRECCIÓN TÉCNICA CUBIERTA O PROVISTA BAJO UN CONTRATO, YA SEA QUE SE BASEN EN UN CONTRATO, GARANTÍA, NEGLIGENCIA, INDEMNIDAD, RESPONSABILIDAD LIMITADA U OTRO, NO PODRÁN EXCEDER EL PRECIO DE COMPRA DE LA UNIDAD O EQUIPO EN LOS CUALES SE BASA DICHA RESPONSABILIDAD.

LA COMPAÑÍA, SUS DISTRIBUIDORES Y SUS PROVEEDORES NO SERÁN RESPONSABLES BAJO CIRCUNSTANCIA ALGUNA ANTE EL COMPRADOR, CUALQUIER SUCESOR O BENEFICIARIO O CESIONARIO DEL CONTRATO, POR NINGÚN DAÑO INDIRECTO, INCIDENTAL, ESPECIAL O PUNITORIO QUE SURJA DE ESTE CONTRATO O DE CUALQUIER INCUMPLIMIENTO DE ÉL, O DE CUALQUIER DEFECTO, FALLA O MAL FUNCIONAMIENTO DEL EQUIPO, YA SEA QUE SE BASE DICHO DAÑO O NO EN LA FALTA DE USO, LA PÉRDIDA DE INGRESOS O UTILIDADES, INTERESES, PÉRDIDA DE BUENA REPUTACIÓN, CESE DE TAREAS, DAÑO SOBRE OTROS BIENES, PÉRDIDAS PRODUCTO DEL CIERRE O LA FALTA DE FUNCIONAMIENTO, AUMENTO EN LOS COSTOS DE OPERACIÓN, COSTO DE LA COMPRA DE ENERGÍA DE REEMPLAZO O DEMANDAS DE LOS COMPRADORES O CLIENTES DEL COMPRADOR POR LA INTERRUPCIÓN DEL SERVICIO, SE ORIGINE O NO DICHA PÉRDIDA O DAÑO EN EL CONTRATO, GARANTÍA, NEGLIGENCIA, INDEMNIZACIÓN, RESPONSABILIDAD ABSOLUTA U OTRO.

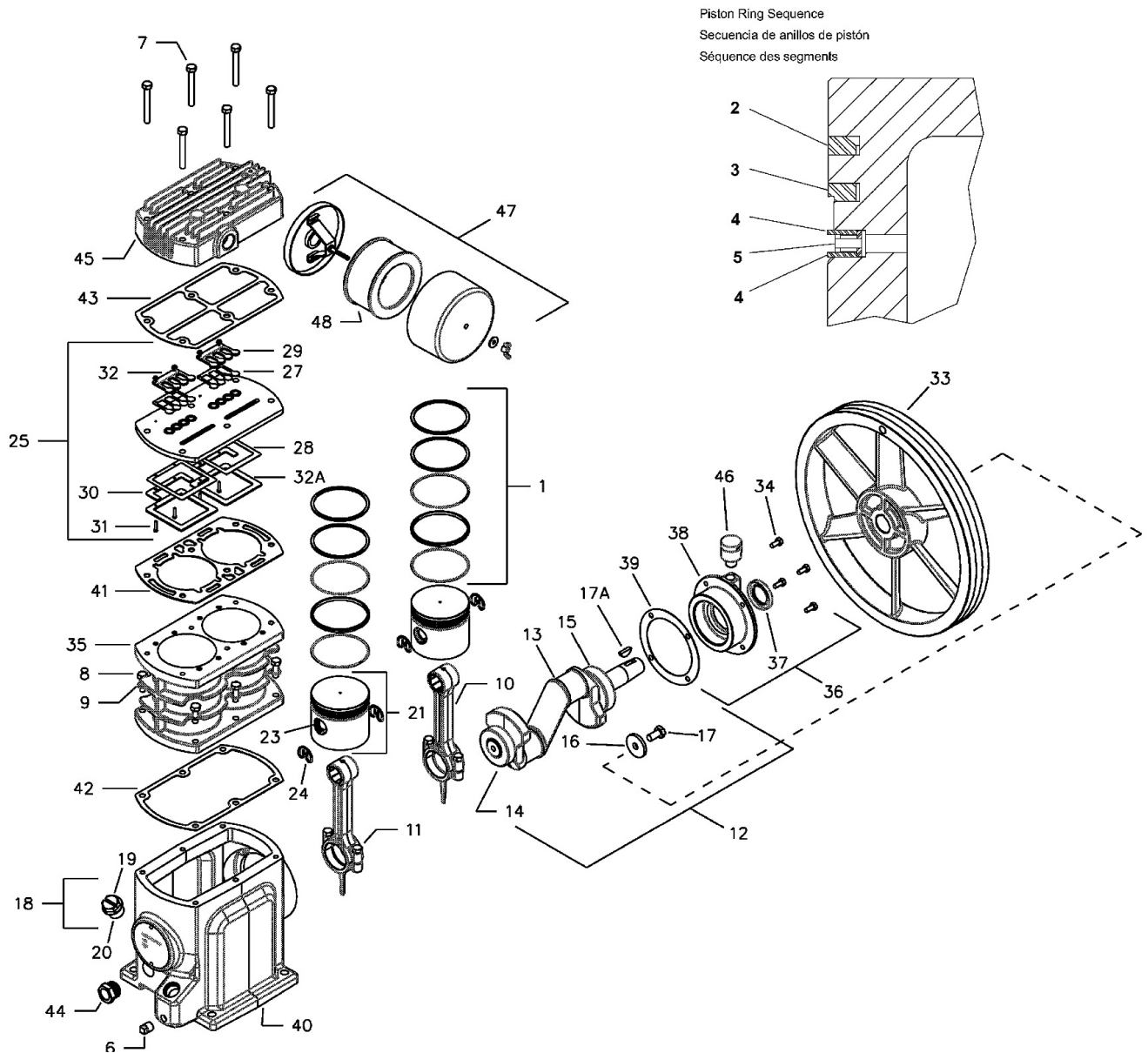
INGERSOLL-RAND
AIR COMPRESSORS

Ingersoll-Rand Company
 800-B Beatty Street
 P. O. Box 1803
 Davidson, NC 28036
 1-800 AIR SERV
 www.air.ingersoll-rand.com

**PARTS LIST
 FOR MODEL SS5
 BARE COMPRESSOR PUMP**

**LISTA DE PIEZAS
 PARA MODELO SS5
 BOMBA COMPRESORA SIN
 ACCESORIOS**

**LISTE DE PIÈCES
 POUR COMPRESSEUR NU,
 MODÈLE SS5**

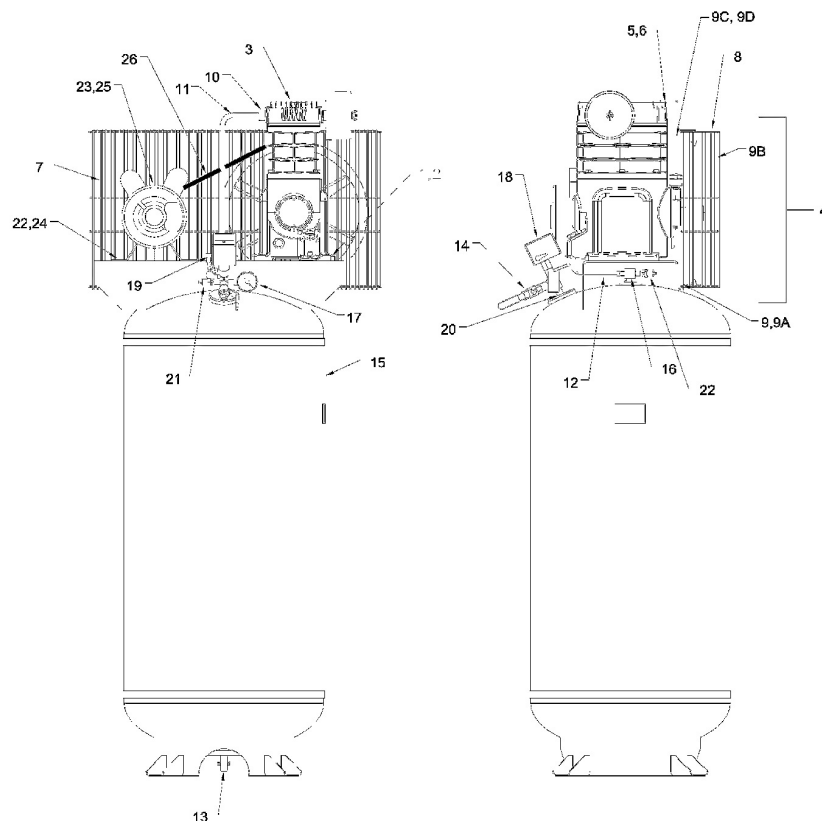


	Nº DE REF.	Nº DE PIEZA	DESCRIPCIÓN	CANT.
	REF.	97334148	BOMBACOMPRESORA SINACCESORIOS	-
X	1	20102703	CONJUNTO DEANILLOS DE PISTON	2
	2	NSS	●ANILLO DE COMPRESIÓN	1
	3	NSS	●ANILLO RASCADOR	1
	4	NSS	●ANILLO ESPACIADOR REGULADOR DE ACEITE	2
	5	NSS	●ANILLO REGULADOR DE ACEITE	1
	6	95033593	TAPON ROSCADO DE PURGA DEL	1
	7	96706874	TORNILLO DE CABEZA, M6X55 (PERNO DE CULATA)	6
	8	96702253	TORNILLO DE CABEZA, M8 X20 (PERNO DE CILINDRO)	6
	9	96728316	ARANDELA DE MUELLE	6
	10	97333173	CONJUNTO DE BELA	2
	11	96705876	●TORNILLO DE CABEZA, M6 X 35	2
	12	20102711	CONJUNTO DE CIGÜEÑAL - SERVICIO	1
	13	NSS	●CIGÜEÑAL	1
	14	NSS	●COJINETE PRINCIPAL	1
	15	NSS	●COJINETE DE BOLAS	1
	16	54423504	●ARANDELA, M8	1
	17	96730437	●TORNILLO DE CABEZA, M8 X 14 - ROSCA IZQUIERDA	1
	17A	95245494	●CHAVETA DE MEDIA LUNA	
	18	97334254	CONJUNTO DE TAPON ROSCADO PARA RELLENO DE LUBRICANTE	1
	19	NSS	●TAPON ROSCADO PARA RELLENO DE LUBRICANTE	1
	20	97334288	●JUNTA TORICA, TAPON ROSCADO PARA RELLENO DE LUBRICANTE	1
	21	97333389	CONJUNTO DE PISTON Y PASADOR	2
	22	NSS	●PISTON	1
	23	NSS	●PASADOR DE PISTON	1
	24	NSS	●ANILLO DE FIJACION	2
□	25	97335061	CONJUNTO DE VALVULA	1
	26	NSS	●PLATILLO DE VALVULA	1
	27	NSS	●VALVULA DE DESCARGA	2
	28	NSS	●VALVULA DE ADMISION	2
	29	NSS	●DETENEDOR DE DESCARGA	2
	30	NSS	●RETEN, ADMISION	2
	31	NSS	●TORNILLO DE CABEZA HEXAGONAL-M3 X 16	4
	32	NSS	●TUERCA HEXAGONAL - M3 C/ARANDELA DE BLOQUEO	4
	32A	NSS	●DETENEDOR DE ADMISION	2
	33	97335756	RUEM DE POLEA	1
	34	97330500	TORNILLO DE CABEZA, M6X 14 (PERNOS DE TAPA EXTREMA)	4
	35	97333488	CILINDRO	1
	36	20102729	CONJUNTO DE TAPA EXTREMA-SERVICIO	1
	37	97335624	●OBTURADOR PARAEJES	1
	38	NSS	●TAPA EXTREMA	1
	39	97333843	●EMPAQUETADURA, TAPA DE EXTREMA	1
	40	97334171	BATIENTE, COMPRESOR	1
□	41	54429600	EMPAQUETADURA, PLATILLO DE VALVULA	1

ES

<input checked="" type="checkbox"/>	42	97333546	EMPAQUETADURA, CILINDRO	1
<input type="checkbox"/>	43	54410667	EMPAQUETADURA DE CULATA	1
	44	97334270	VISOR DE NIVEL	1
	45	54410683	CULATA	1
	46	70243936	CONJUNTO DE PURGA	1
	47	54406640	FILTRO DE ENTRADA	1
	48	32170979	●ELEMENTO DEL FILTRO	1
NSS NO SE VENDE POR SEPARADO <input type="checkbox"/> DISPONIBLE INDIVIDUALMENTE O EN CONJUNTO DE VALVULA 20100277 <input checked="" type="checkbox"/> DISPONIBLE INDIVIDUALMENTE O EN CONJUNTO DE ANILLOS DE PISTON 20100285				

LISTADO DE COMPONENTES



Nº DE REF.	Nº DE PIEZA	DESCRIPCIÓN	CANT.
1	84G03724	TORNILLO	4
2	95750394	ARANDELA MUELLE BLOQUEO	4
3	97334148	COMPRESOR SOLO	1
GRUPO PROTECCIÓN DE LA CORREA			
4	-	ASAMBLEA GUARDACORREA COMPLETO	1
5	32188518	ABRAZADERA DE LA PROTECCIÓN DE LA CORREA	1
6	56280159	TORNILLO, HEX- BRIDA SERRADO - M6-1.0X 12MM	1
7	54416730	PROTECTOR DE LA CORREA, DELANTERO	1
8	54416748	PROTECTOR DE LA CORREA, VOLVER	1
9	97173595	TORNILLO, TAP AUTO-1/4-20X1/2	4
9A	95916078	ARANDELA, PLANA CUARTO ZINC	4
9B	32496093	SUJETADOR, RECUBIERTO DE PVC	4
9C	32241200	PERNO EN U	1
9D	32175564	TORNILLO, CABEZA DE ARANDELA DENTADA - 1/4X3/4	1
NI	54461108	GUARDIA, COMPRESOR FIN	1
GRUPO TUBOS Y MONTAJE			
10	95031795	CODO, TUBO 5/8 X 1/2	1
11	97339303	CONJUNTO DEL TUBO DE DESCARGA -SS5LS	1
11	22090112	CONJUNTO DEL TUBO DE DESCARGA -SS5N5	1

ES

GRUPO DEL DEPÓSITO DE AIRE			
12	97339311	MONTAJE DEL TUBO DE VENTILACIÓN -t/4	1
13	32027120	VÁLVULA DE DRENAJE MANUAL	1
14	32106551	VÁLVULA DE BOLA- 1/2 F/F (SERVICE VALVE)	1
15	56291412	DEPÓSITO DE AIRE -SSSL5	1
15	22108781	DEPÓSITO DE AIRE - SS5N5	1
16	85582229	VÁLVULA DE RETENCIÓN- SS5L5	1
16	97333165	VÁLVULA DE RETENCIÓN-SS5N5	1
17	56269608	MANÓMETRO - SS5L5	1
17	32499816	MANÓMETRO - SS5N5	1
18	54372834	INTERRUPTOR DE PRESIÓN-SS5L5	1
18	54627104	INTERRUPTOR DE PRESIÓN:-SS5N5	1
19	97004030	CONECTOR, DE CABLE	1
20	56269624	HERRAMIENTA, COLECTOR	1
21	97171664	VÁLVULA, DE SEGURIDAD/DE ALIVIO	1
22	54442041	VÁLVULA, DE SEGURIDAD/DE ALIVIO-SS5L5	1
22	97010094	VÁLVULA, DE SEGURIDAD/DE ALIVIO- SS5N5	1
NI	95417507	NIPLE,1/2 X 1-1/8 -SS5N5	1
GRUPO DEL MOTOR			
22	32175556	CABEZA DE ARANDELA DENTADA TORNILLO DE CABEZA PLANA	4
23	32117996	JUEGO,POLEA	1
24	39128566	TUERCA, WHIZ-LOCK-5/16-18	4
25	47669474001	MOTOR	1
26	95099453	CORREA, EN V-A58	1
NI = NO ILUSTRADO			

JUEGOS Y ACCESORIOS

■ KIT DE GARANTÍA AMPLIADA

Cada kit de garantía ampliada contiene los filtros de aire y todo el lubricante All Season Select necesario para dos años de funcionamiento.

Nº DE PIEZA	DESCRIPCIÓN
20100251	KIT DE GARANTÍA AMPLIADA

■ LUBRICANTE SINTETICO INGERSOLL RAND PARA COMPRESORES

Nº DE PIEZA	DESCRIPCIÓN
32318875	LUBRICANTE BOTELLA DE 0.5L
32318883	LUBRICANTE, PAQUETE DE BOTELLAS DE 0,5L

■ ELEMENTO DE FILTRO DE ALRE

Nº DE PIEZA	DESCRIPCIÓN
32170979	ELEMENTO. FILTRO DE AIRE

■ JUEGOS AHORRAPASOS

Los juegos ahorrapasos proporcionan todas las piezas que se necesitan para realizar reparaciones corrientes, como el reemplazo de anillos de pistón o el reemplazo de válvulas.

Nº DE PIEZA	DESCRIPCIÓN	CONTENIDOS
20100277	JUEGO VALVULA/ EMPAQUETADURA	Piezas que se desgastan en las válvulas y empaquetaduras de culata que se destruyen al reemplazar las piezas de las válvulas.
20100285	JUEGO ANILLO/ EMPAQUETADURA	Juego completo de anillos de pistón, un sello de cigüeñal y empaquetaduras que se destruyen al desarmar la unidad para reemplazar los anillos.

■ JUEGOS DE CALEFACTOR DEL CARTER

Se recomienda usar calefactores del cárter cuando las temperaturas ambiente suelen estar por debajo de los 32°F (0°C). Un juego de calefactor externo del cárter, de fácil instalación, está destinado a su uso de postventa.

Nº DE PIEZA	DESCRIPCIÓN
97330385	JUEGO, CALEFACTOR DEL CARTER

■ CONDUCTOS DE ALRE PARA VARLOS USOS

Estos ensamblajes de conductos de aire son conductos para cargas pesadas, livianos destinados para una presión efectiva de 300 PSIG

Nº DE PIEZA	DESCRIPCIÓN
32323750	CONDUCTO DE AIRE- 3/8" x 25' (1/4" MACHO NPT)
32323768	CONDUCTO DE AIRE - 3/8" x 50' (1/4" MACHO NPT)
32323776	CONDUCTO DE AIRE- 3/8" x 100' (1/4" MACHO NPT)

■ DEPURADORES EN Y

Los depuradores en Y son destinados para prevenir el movimiento de aguas abajo de las partículas extrañas.

Nº DE PIEZA	DESCRIPCIÓN
32323628	DEPURADOR EN Y, DE, 1/4"
32323636	DEPURADOR EN Y, DE, 1/2"



A series of horizontal lines spanning the width of the page, providing a template for writing.





SS5L5
SS5N5

Manuel du propriétaire avec liste des pièces

FR Manuel du propriétaire avec liste des pièces



Veillez conserver ces instructions

IR *Ingersoll Rand*®

SOMMAIRE

SÉCURITÉ	4	ENTRETIEN	10
PRÉCAUTIONS DE SÉCURITÉ GÉNÉRALES	4	REMPACEMENT DU FILTRE (SS5)	10
INFORMATIONS GÉNÉRALES	4	VIDANGE D'HUILE	10
RÉCEPTION ET INSPECTION	5	AJUSTEMENT DE LA COURROIE	11
INSTALLATION	6	INSPECTION DU RÉSERVOIR	11
PRÉPARATION POUR L'EMPLOI	6	DÉPANNAGE	12
GÉNÉRALITÉS	6	GARANTIE ET LIMITATION DE RESPONSABILITÉ ..	16
TEMPÉRATURE	6	GARANTIE	16
LIEUX HUMIDES	6	LIMITATION DE RESPONSABILITÉ	16
CONSIDERATIONS EN MATIERE DE BRUIT	6	LISTE DES PIÈCES	20
MONTAGE PERMANENT	6	TROUSSES ET ACCESSOIRES	22
MONTAGE PERMANENT TYPIQUE (QUINCAILLERIE FOURNIE PAR LE CLIENT)	6	GARANTIE ÉTENDUE KIT	22
INSTALLATION DU FILTRE D'ASPIRATION	6	LUBRIFIANT SYNTHÉTIQUE INGERSOLL RAND POUR COMPRESSEURS	22
INSTALLATION DE LA CANALISATION DE REFOULE- MENT	6	ELEMENT DE FILTRE D'AIR	22
GÉNÉRALITÉS	7	TROUSSES D'ENTRETIEN RAPIDE	22
CANALISATIONS DE REFOULEMENT DU CONDENSAT	7	TROUSSE DE CHAUFFAGE DU CARTER PRINCIPAL	22
CÂBLAGE ÉLECTRIQUE	7	TUYAUX D'AIR A FONCTION MULTIPLE	22
GÉNÉRALITÉS	7	FILTRES EN Y	22
CALIBRE DES FILS	7		
FUSIBLES	7		
LUBRIFICATION DU COMPRESSEUR	7		
LUBRIFIANT SYNTHÉTIQUE	7		
LUBRIFIANTS DE RECHANGE	7		
PROCÉDURES DE REMPLISSAGE:	8		
MISE EN MARCHÉ INITIALE	8		
MANO-CONTACT	8		
OPÉRATION	9		
GÉNÉRALITÉS	9		
DÉMARRAGE NORMAL	9		
LORSQUE VOUS AVEZ FINI:	9		

INGERSOLL-RAND[®]

AIR COMPRESSORS

Ingersoll-Rand Company
800-B Beaty Street
P. O. Box 1803
Davidson, NC 28036

1-800-AIR SERV
(1-800-247-7378)
www.air.ingersoll-rand.com

CONSUMER INFORMATION SHEET

Thank you for purchasing an Ingersoll-Rand product. We trust that it will offer you many years of trouble-free service. If you encounter any problems or need assistance, please refer to the information provided in this sheet.

INSTALLATION, OPERATION, MAINTENANCE & TROUBLESHOOTING ISSUES

Read the owner's manual first. Often this will clarify your understanding. If you still have problems, please call the toll-free hotline.

MISSING PARTS

If parts are missing call the toll free hotline. Have the serial number, part number, model number and parts list (with missing parts circled) handy when you call. Your parts will be shipped immediately.

SHIPPING DAMAGE OR DEFECTIVE PARTS

Each new product is inspected and in good condition prior to shipment from the factory. If your product was received in a condition that was less than satisfactory, or if you discover a defect that requires service or adjustment by qualified personnel, please contact your nearest authorized service representative.

DO NOT RETURN THE PRODUCT TO YOUR RETAILER!

**NOTE REGARDING
EXTENSION CORDS**

To avoid power loss and
overheating, use additional air
hose instead of an extension
cord.

**PARTS & SERVICE HOTLINE:
1-800-AIR SERV
(1-800-247-7378)**

SÉCURITÉ

DANGER

Indique une situation dangereuse imminente qui, si non évitée, résultera en un décès ou des blessures sérieuses.

AVERTISSEMENT

Indique une situation potentiellement dangereuse qui, si non évitée, pourrait résulter en des blessures sérieuses ou même la mort.

ATTENTION

Indique une situation potentiellement dangereuse qui, si non évitée, pourrait résulter en des blessures mineures ou des dommages à la propriété.

AVIS

Indique une information ou une politique de l'entreprise reliée directement ou indirectement à la sécurité du personnel ou la protection de la propriété.

AVERTISSEMENT

TENSION DANGEREUSE. Peut causer des blessures graves ou la mort. Débrancher l'alimentation et purger la pression du réservoir avant de réparer. Verrouiller/étiqueter la machine. Le compresseur doit être branché sur un circuit correctement mis à la terre. Reportez-vous aux instructions de la mise à terre dans ce manuel. Ne pas faire fonctionner le compresseur dans des conditions humides. Stocker à l'intérieur.

PIÈCES TOURNANTES. Peut causer des blessures graves. Ne pas utiliser sans les dispositifs de protection. La machine peut démarrer automatiquement. Débrancher avant le service. Verrouiller/étiqueter la machine.

SURFACE CHAUDE. Peut causer des blessures graves. Ne pas toucher. Attendre le refroidissement avant de réparer. Ne pas toucher le compresseur ou la tuyauterie chaude.

AIR SOUS PRESSION ÉLEVÉE. Le contournement, la modification ou le retrait de soupapes de sécurité/décharge peut causer des blessures graves ou la mort. Ne pas contourner, modifier ou retirer les soupapes de sécurité/décharge. Ne pas diriger les ajutages d'air sur une personne. Les réservoirs corrodés peuvent occasionner une explosion et des blessures graves ou la mort. Vidanger le réservoir quotidiennement ou après chaque utilisation. La soupape de vidange se trouve au fond du réservoir.

ATTENTION

RISQUE DE DÉCLATEMENT. Utiliser seulement des pièces à manipulation d'air pouvant accepter des pressions non inférieures à la pression maximale de travail consentie par la machine.

■ PRÉCAUTIONS DE SÉCURITÉ GÉNÉRALES

DANGER

AIR D'ADMISSION. Peut contenir du monoxyde de carbone ou d'autres contaminants. Cause des blessures ou la mort. Les compresseurs Ingersoll-Rand n'ont été conçus, ni destinés, ni approuvés pour la compression d'air respirable. L'air comprimé ne doit pas être utilisé pour la respiration à moins qu'il ait été traité d'après les normes et règlements en vigueur pour cette application.

INFORMATIONS GÉNÉRALES

Votre compresseur d'air est approprié pour l'emploi d'outils à air pistolets de calfatage, pistolets graisseurs, sableuses, etc. Selon votre application, les accessoires suivants sont requis:

- Un régulateur de la pression d'air pour ajuster la pression d'air air pressure admis à l'outil ou l'accessoire.
- Un filtre de la ligne d'air pour l'élimination de l'humidité et la vapeur d'huile dans l'air comprimé.
- Un graisseur en ligne pour prolonger la vie des outils pneumatiques.

- Des transformateur à air séparée combinant les fonctions de régulation d'air et / ou à l'humidité et l'élimination de la saleté.

Veuillez communiquer avec votre distributeur ou appeler le 1-800-AIR-SERV pour plus d'informations sur les outils pneumatiques et accessoires pour votre application.

RÉCEPTION ET INSPECTION

S'assurer qu'un équipement de levage approprié sera disponible pour décharger le compresseur et le déplacer là où il sera installé.

AVIS

L'équipement de levage doit avoir la capacité requise pour soulever le poids du compresseur.

Lever le compresseur seulement à l'aide de la palette d'expédition.



ATTENTION

Ne pas travailler ou marcher sous le compresseur pendant qu'il est suspendu.

Avant de signer le bon de livraison, inspecter l'équipement afin de s'assurer qu'il ne comporte pas de dommages ou de pièces manquantes. Si des dommages sont apparents ou des pièces sont manquantes, le noter sur le bon de livraison, puis le signer. Communiquer immédiatement avec le transporteur pour lui demander d'effectuer une inspection.

Tout le matériel doit rester au lieu de livraison pour être inspecté par le transporteur.

Les bons de livraison qui ont été signés sans notation de dommage ou pièces manquantes sont considérés comme faisant état d'une livraison

parfaite. Toute demande d'indemnité ultérieure sera alors considérée comme une demande d'indemnité pour dommages dissimulés. Régler toute demande d'indemnité directement avec le transporteur.

Si des dommages sont découverts après réception du compresseur (dommages dissimulés), en aviser le transporteur dans les 15 jours suivant la date de livraison et effectuer une demande d'inspection par téléphone avec confirmation par écrit. Lors d'une demande d'indemnité pour dommages dissimulés, c'est le demandeur qui doit établir que le compresseur a été endommagé en transit.

Lire la plaquette signalétique du compresseur afin de vérifier qu'il correspond bien au modèle commandé. Lire la plaquette signalétique du moteur pour vérifier qu'il est bien compatible avec les équipements électriques. S'assurer que les boîtiers et les composants électriques sont appropriés.

INSTALLATION

■ PRÉPARATION POUR L'EMPLOI

■ GÉNÉRALITÉS

Choisir un endroit intérieur, bien éclairé, sec et propre avec beaucoup d'espace de manière à assurer un accès facile aussi bien qu'une ventilation et circulation d'air suffisante pour le refroidissement. Situer le compresseur au moins à 12 pouces (30 cm) des murs.

■ TEMPÉRATURE

La température de marche idéale se situe entre 0 °C et 37,8 °C (32 °F et 100 °F). Si la température baisse souvent sous 0 °C (32 °F), situer l'unité à l'intérieur d'un bâtiment chauffé. Si cela n'est pas possible, il est essentiel de protéger les soupapes de sécurité/décharge et les soupapes de vidange contre le gel.



ATTENTION

Ne pas faire fonctionner l'appareil à une température inférieure à -26,1°C (-15°F) ou supérieure à 51,0 °C (125 °F).

■ LIEUX HUMIDES

Dans un lieu qui est souvent humide, il est possible que de l'humidité se forme dans la pompe, entraînant la formation de boues dans le lubrifiant et l'usure prématurée des pièces mobiles. Une quantité excessive d'humidité aura tendance à se former si le compresseur est situé dans un lieu non chauffé qui est exposé à de grandes variations de température. Voici deux signes d'humidité excessive : la formation de condensation sur la paroi extérieure du compresseur qui refroidit et un lubrifiant à base de pétrole dont l'aspect est laiteux. On pourra empêcher la formation d'humidité dans la pompe en augmentant la ventilation, en faisant fonctionner l'appareil plus longtemps lors de chaque cycle ou en installant une trousse de chauffage du carter principal.

■ CONSIDÉRATIONS EN MATIÈRE DE BRUIT

Pour connaître la réglementation en vigueur concernant les niveaux de bruit acceptables, consulter les autorités locales. Pour réduire le bruit excessif, utiliser des amortisseurs de vibration (sauf sur les Modèles 2000 et 2000P) ou un silencieux d'aspiration, déplacer le compresseur ou construire des enceintes totales ou des murs déflecteurs.

■ MONTAGE PERMANENT

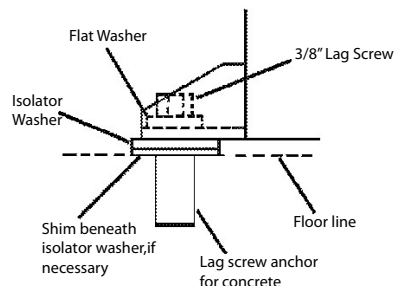


AVERTISSEMENT

Avant du montage, enlever le compresseur de la cale.

Le compresseur doit être monté en permanence. Lors du montage du compresseur, verrouiller les pieds à une base solide, nivelée (comme un plancher en béton). Ne pas verrouiller des pieds non-nivelés solidement à la base, cela peut provoquer une tension excessive au réservoir. Utilisez des cales métalliques sous les pieds au besoin.

■ MONTAGE PERMANENT TYPIQUE (QUINCAILLERIE FOURNIE PAR LE CLIENT)



■ INSTALLATION DU FILTRE D'ASPIRATION



ATTENTION

Ne pas utiliser l'appareil sans filtre d'aspiration.

Si l'air autour du dispositif est relativement libre de poussières, installer le filtre d'aspiration au raccord d'admission de la pompe. Communiquer avec votre distributeur pour des informations sur l'installation de canalisation de refoulement ou des filtres de grande puissance.

■ INSTALLATION DE LA CANALISATION DE REFOULEMENT

Pour l'installation de canalisations de refoulement d'air et de condensat, observer les suivantes lignes guides générales. Communiquer avec votre distributeur pour des informations additionnelles.



AVERTISSEMENT

N'utiliser nulle part dans le circuit d'air comprimé des tuyaux de plastique, des raccords soudés en cuivre, des tubes de caoutchouc ou des joints soudés à l'étain au plomb.



AVERTISSEMENT

Si un refroidisseur de sortie, un clapet anti retour, un robinet de sélection ou toute autre restriction est ajoutée au circuit de refoulement du condensat, installer entre cette restriction et le compresseur une soupape de sûreté/décharge homologuée ASME ayant le format qui convient.



ATTENTION

Si le lubrifiant utilisé est du lubrifiant synthétique pour compresseur, la tuyauterie et les composants en aval du circuit doivent être composés d'un matériau compatible. Se reporter à la liste de matériaux compatibles ci-dessous. Si votre système contient des matériaux incompatibles, ou pour des matériaux non inclus dans la liste, communiquer avec le distributeur ou appeler le 1-1800-AIR-SERV.

LUBRIFIANT SYNTHÉTIQUE POUR COMPRESSEUR**LISTE DE COMPATIBILITÉ MATÉRIELLE****ACCEPTABLES :**

FKM (Fluoroclastomer), PTFE, époxydes (chargés à la fibre de verre), alkydes résistants aux huiles, fluorosilicones, hydrocarbures fluorés, polysulfides, uréthanes à 2 composants, nylon, Delrin®, Celcon®, caoutchoucs à forte teneur en nitrile (Buna-N. NBR de plus de 36 % d'acrylonitrile), polyuréthane, polyéthylène, épichlorhydrine, polyacrylate, mélamine, polypropylène, résines phénoliques cuites, époxydes, alkydes modifiés (® Marque déposée de DuPont Corporation).

NON RECOMMANDÉS :

Néoprène, caoutchouc naturel, caoutchouc SBR, peintures acryliques, laques, vernis, polystyrène, PVC, ABS, polycarbonates, acétate de cellulose, caoutchoucs à faible teneur en nitrile (Buna N. NBR de moins de 36 % d'acrylonitrile), EPDM, acétate de vinyle et d'éthylène, latex, caoutchoucs éthylène-propylène (EPR), acryliques, résines phénoxy, polysulfones (PSF), styrène-acrylonitrile, butyle.

■ GÉNÉRALITÉS

La tuyauterie, les raccords, le réservoir, etc. doivent être homologués pour fonctionner à la pression maximale de service de l'unité. Utiliser des tubes d'acier ou de cuivre à filetage ou à soudage fort et des raccords en fonte dont l'homologation convient à la pression et à la température de refoulement du compresseur. **NE PAS UTILISER DE PLASTIQUE PVC DANS LA CONDUITE DE REFOULEMENT D'AIR COMPRIMÉ.** Utiliser un matériau d'étanchéité sur tous les filetages de la tuyauterie et bien serrer les joints afin de prévenir toute fuite d'air.

■ CANALISATIONS DE REFOULEMENT DU CONDENSAT

Si une canalisation de refoulement du condensat doit être installée, s'assurer que le diamètre de ses tuyaux est supérieur à celui du raccord d'au moins une catégorie, que son circuit est le plus court et le plus direct possible, qu'elle est fixée solidement en place et qu'elle est dirigée vers un point de purge convenable. Le condensat doit être éliminé en conformité avec les lois et règlements en vigueur au niveau municipal, provincial et fédéral.

AVIS

Tous les systèmes à air comprimé produisent du condensat s'accumulant dans un point de vidange (p. ex. réservoirs, filtres, points de purge, refroidisseurs de sortie, sécheurs). Ce condensat contient de l'huile lubrifiante et/ou des substances réglementées qui doivent être enlevées selon les lois et les règlements municipaux, provinciaux et fédéraux.

■ CÂBLAGE ÉLECTRIQUE**⚠ AVERTISSEMENT**

L'installation et les révisions du circuit électrique doivent être effectuées par un électricien agréé qui connaît les lois et les règlements municipaux, provinciaux et fédéraux en vigueur.

AVIS

Cet unité doit être connectée à une système de câblage permanente, métallique, mise à la terre, ou une borne pour la mise à terre d'équipement ou un conducteur sur le système.

■ GÉNÉRALITÉS

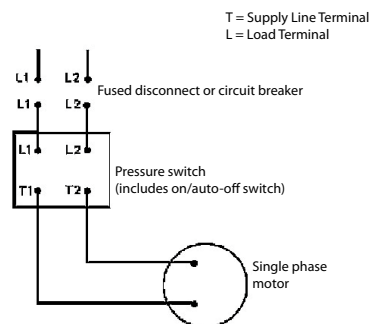
Les caractéristiques nominales du moteur, indiquées sur la plaquette signalétique, et l'alimentation électrique doivent correspondre aux caractéristiques de la tension, des phases et des cycles.

■ CALIBRE DES FILS

Le câblage reliant l'alimentation électrique et le moteur varie en fonction de la puissance du moteur (HP) et d'autres facteurs. Installer des conducteurs de connexion de calibre adéquat pour protéger le dispositif contre toute chute de tension excessive lors du démarrage. Consulter le Code national de l'électricité pour de plus amples informations concernant la sélection du calibre de conducteur approprié et la fixation des connexions électriques. Si vous raccordez du matériel électrique supplémentaire au même circuit, vous devez prendre en compte la charge électrique totale lors de la sélection du calibre de conducteur approprié. **NE PAS UTILISER DE CONDUCTEURS TROP PETITS.**

■ FUSIBLES

Se reporter au Code national de l'électricité afin de déterminer les caractéristiques nominales requises du fusible ou du disjoncteur. Au moment de la sélection des fusibles, prendre en compte le fait que le courant de pointe lors du démarrage d'un moteur électrique est supérieur au courant de pleine charge. L'usage de fusibles à retardement ou à action retardée est recommandé.

Câblage monophasé**■ LUBRIFICATION DU COMPRESSEUR****⚠ ATTENTION**

Ne pas faire fonctionner le compresseur sans lubrifiant ou avec un lubrifiant qui ne convient pas. Ingersoll Rand décline toute responsabilité pour les pannes du compresseur causées par une lubrification inadéquate.

■ LUBRIFIANT SYNTHÉTIQUE

Nous recommandons d'utiliser le lubrifiant synthétique **Ingersoll Rand** pour compresseurs dès la mise en marche. Pour de plus amples renseignements concernant la garantie prolongée, se reporter à la section GARANTIE.

■ LUBRIFIANTS DE RECHANGE

On peut utiliser un lubrifiant ou à base de pétrole comparable à condition qu'il soit de qualité supérieure, qu'il ne contienne aucun détergent, qu'il contienne comme additifs seulement des agents antirouille, antioxydants et antimousse, que son point d'inflammation soit de 227 °C (440 °F) ou plus et que sa température d'inflammation spontanée soit de 343 °C (650 °F) ou plus.

Se reporter ci-dessous au tableau de viscosité des lubrifiants à base de pétrole. Il est fourni exclusivement à titre d'information. Des conditions de marche rigoureuses nécessitent une viscosité plus élevée. Pour obtenir des recommandations, discuter avec le distributeur des conditions réelles de fonctionnement.

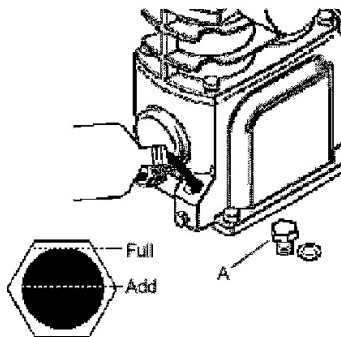
Température autour du compresseur		Viscosité at 100°F (37.8 °C)		Catégorie de Viscosité	
°F	°C	SUS	Centistokes	ISO	SAE
40 & below	4.4 & below	150	32	32	10
40-80	4.4-26.7	500	110	100	30
80-125	26.7-51.0	750	165	150	40

Si, après avoir utilisé un lubrifiant por compresseur à base de pétrole depuis la mise en marche, il est décidé de passer au lubrifiant synthétique **Ingersoll Rand** pour compresseurs alors il faudra faire dégrasser le compresseur par le distributeur avant d'effectuer la conversion.

■ PROCÉDURES DE REMPLISSAGE:

1. Dévisser et enlever le bouchon du réservoir à huile (A).
2. Remplir le carter de lubrifiant jusqu'à ce que le lubrifiant atteigne le fil supérieur de l'ouverture de remplissage d'huile et le haut du verre de visée. La capacité de carter pour le SS3 est la moitié (0,5) litres. Capacité de carter pour la SS5 est un (1) litre.
3. Refermer le bouchon d'huile et le SERRER SEULEMENT AVEC LES DOIGTS.

Procédures de remplissage



■ MISE EN MARCHÉ INITIALE

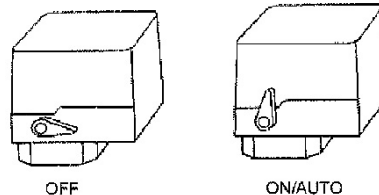
■ MANO-CONTACT

Le mano-contact est pré-réglé à la pression exigée. Les arrangements de gamme et de différentiel NE SONT PAS réglables. Le mano-contact ne devrait pas être trifouillé de quelque façon et aucune tentative ne devrait être faite pour ajuster les arrangements de pression car ceci pourrait endommager le commutateur au point d'échec et/ou vider n'importe quelle garantie pour le mano-contact.

Utiliser cette procédure avant de la mise en marche initiale:

1. Mettre le levier du pressostat dans la position "OFF".

• Palier du pressostat



2. Ouvrir complètement la soupape de service pour prévenir une augmentation d'air dans le réservoir. (A = Ouvert, B = Fermé).

• Soupape de service

3. Mettre le levier du pressostat dans la position "ON/AUTO". Le compresseur se démarre.
4. Faire fonctionner le compresseur pour 30 minutes. S'assurer que la soupape de service est complètement ouverte et qu'il n'y a pas d'accumulation de pression dans le réservoir.

⚠ ATTENTION

Un bruit inhabituel ou des vibrations indiquent qu'il y a un problème. Cesser de faire fonctionner l'appareil jusqu'à ce que la source du problème ait été identifiée et corrigée. EN CAS D'URGENCE, COUPER IMMÉDIATEMENT L'ALIMENTATION SECTEUR.

5. Après 30 minutes, fermer la soupape de service complètement. Le réservoir d'air se remplira jusqu'à la pression de disjonction et le moteur s'arrêtera. Le compresseur est prêt pour l'utilisation.

OPÉRATION

■ GÉNÉRALITÉS

Ce compresseur d'air est conçu pour un service continue de 100% en utilisant le lubrifiant synthétique **Ingersoll Rand** POUR COPRESSEURS et pour un service continue de 60% en utilisant un lubrifiant à base de pétrole limite le compresseur à un maximum de 36 minutes de pompage par heure. La limite de cyclage de la pompe est 10 cycles par heure.

■ DÉMARRAGE NORMAL

1. Mettre le levier du pressostat dans la position "OFF".
2. Fermer la soupape de service.
3. Connecter le tuyau et les accessoires.
4. Mettre le levier du pressostat dans la position "ON / AUTO". Le compresseur se démarre.
5. Laisser augmenter la pression dans le réservoir. Le moteur s'arrêtera quand la pression dans le réservoir atteint la pression de disjonction.
6. Ouvrir la soupape de service. Le compresseur est prêt pour l'utilisation.

■ LORSQUE VOUS AVEZ FINI:

1. Mettre le levier de commande de la pression sur "OFF".
2. Fermez le robinet de service.
3. Retirer l'outil de l'air ou de l'accessoire.
4. Ouvrir lentement la vanne de service pour purger la pression de l'air jusqu'à 20 psig.
5. Ouvrir lentement la vanne manuelle de vidange au fond du réservoir pour vidanger le condensat (eau).
6. Fermer la vanne de vidange et la soupape de circulation pour la prochaine utilisation.

AVIS

Si la pression du réservoir se diminue au-dessous minimum préétabli en usine, le pressostat se remet à zéro et relance le compresseur.

ENTRETIEN

AVERTISSEMENT

Couper, bloquer et identifier l'alimentation principale et relâcher la pression d'air du circuit avant d'effectuer l'entretien.

AVIS

Tous les systèmes d'air comprimé comportent des éléments (par ex. l'huile lubrifiante, les filtres, les séparateurs) qui sont remplacés périodiquement. Ces éléments peuvent être ou peuvent contenir des substances réglementées qui doivent être éliminées en conformité avec les lois et les règlements en vigueur au niveau municipal, provincial et fédéral.

AVIS

Lors du démontage, prendre note de la position et de l'emplacement des pièces afin de faciliter leur assemblage éventuel. Les séquences d'assemblage ainsi que les pièces figurant dans les illustrations peuvent ne pas correspondre à votre appareil.

AVIS

Tout entretien ne figurant pas dans la présente section doit être effectué par un agent d'entretien autorisé.

CALENDRIER POUR L'ENTRETIEN DE ROUTINE

Tous les jours ou avant chaque mise en marche	Verifier le niveau de lubrifiant. Remplir au besoin.
	Vidanger le reservoir de condensat. Ouvrir le purgeur manuel. capter le condensat et l'eliminer de la maniere appropriée.
	Verifier si l'appareil met un bruit ou des vibrations inhabituels.
	S'assurer que les carters de courroies et autres sont fixes solidement en place.
	S'assurer que l'espace autour du compresseur ne comporte pas de chiffons, d'outils, de debris et de matieres inflammables ou explosives.
Une fois par semaine	Inspecter les elements filtrants du filtre d'aspiration. Les nettoyer au besoin.
Une fois par mois	Verifier s'il y a des fuites d'air. Asperger de l'eau savonneuse autour des joints pendant que le compresseur est en marche et verifier si des bulles se forment.
	S'assurer que les vis et les boulons sont bien serrés. Les serrer au besoin.
	Inspecter les courroies d'entraînement. Les ajuster au besoin.
	Nettoyer l'extérieur.
3/500 *	Vidanger le lubrifiant A base de petrole pendant que le carter principal est encore tiede

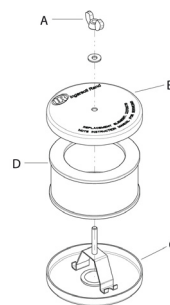
12/2000*	Vidanger le lubrifiant A base de petrole pendant que le carter principal est encore tiede.
	Remplacer l'element filtrant.
* indique le nombre de mois ou d'heures de fonctionnement, selon la première éventualité.	

REPLACEMENT DU FILTRE (SS5)

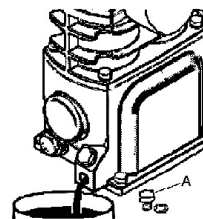
1. Dévisser et retirer l'écrou à ailettes (A) qui tient le capot du filtre (B) en place sur la base (C).
2. Détacher le capot du filtre et retirer l'élément filtrant (D). Nettoyer l'élément avec un jet d'air sous pression ou un aspirateur.
3. Remettre en place l'élément filtrant et le capot du filtre et fixer-le avec l'écrou à ailettes.

AVIS

Les trous d'aspiration dans le deflecteur et le capot doivent être décalés à 180°. Pendant l'installation de l'assemblage à la connexion d'aspiration, s'assurer que le trou dans le capot est à bas afin de minimiser l'entree d'impuretes de l'air.

**VIDANGE D'HUILE**

1. Ouvrir le bouchon de vidange d'huile (A) et laisser le lubrifiant s'écouler dans un contenant propice.
2. Refermer le bouchon de vidange d'huile.
3. Suivre les directives de remplissage de la section MODE D'EMPLOI.



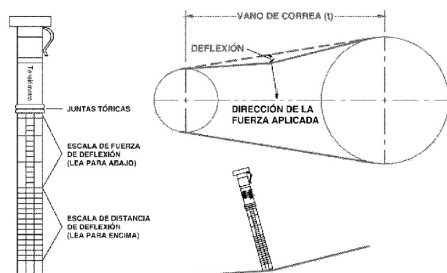
■ AJUSTEMENT DE LA COURROIE

• VÉRIFICATION DE LA TENSION

Vérifier occasionnellement la tension de la courroie, particulièrement si elle semble lâche. Pour une vérification rapide, observer si le brin mou de la courroie est légèrement arqué lorsque l'appareil est en marche. Si c'est le cas, alors l'ajustement de la courroie est généralement adéquat.

• TENSIONNEMENT D'UNE COURROIE

On tensionne la courroie en dévissant les boulons d'ancrage du moteur, puis en écartant le moteur de la pompe en le glissant le long de la base, pour ensuite serrer à nouveau les boulons. Le moteur se déplace facilement en plaçant un levier dessous. Si le tensionnement s'avérait nécessaire, on peut aussi employer un écarteur disponible dans le commerce ou tout autre dispositif de tensionnement pour courroies.



Suivre les procédures décrites ci-dessous pour déterminer et mesurer correctement la tension. Consulter l'illustration suivante pour une représentation visuelle.

1. Déposer une règle le long de la surface supérieure extérieure de la courroie, entre la poulie motrice et le volant.
2. À mi-chemin entre les deux et perpendiculairement à la courroie, jauger la pression à la surface extérieure de la courroie en appuyant un dynamomètre de tension. Forcer la courroie à la valeur de déflection indiquée dans la TABLE DE TENSION DE COURROIE sous la rubrique DIAGRAMMES & TABLEAUX. Comparer la tension lue sur l'instrument à celle qui figure au tableau.

Déflexion (pouces)	Min. Tension (Lbs.)	Max. Tension (Lbs.)
0.17	3.0	6.0

Avant de faire démarrer le compresseur, assurer l'alignement exact du centre des rainures de la poulie motrice et du volant ainsi que le serrage des boulons d'ancrage du moteur.

⚠ ATTENTION

Un alignement incorrect de la poulie et du volant ou un tensionnement inadéquat de la courroie pourrait entraîner une surcharge du moteur, des vibrations excessives et un bris prématuré de la courroie ou du palier.

Afin de prévenir ces problèmes, s'assurer, après avoir installé une nouvelle courroie ou tensionné une courroie existante, que la poulie et le volant sont bien alignés et que la tension de la courroie est adéquate.

■ INSPECTION DU RÉSERVOIR

La longévité du réservoir dépend de plusieurs facteurs, y compris, sans s'y restreindre, les conditions d'exploitation, le milieu ambiant et le niveau d'entretien. L'effet exact propre à chacun de ces facteurs est difficile à juger ; voilà pourquoi IngersollRand vous recommande de prévoir une inspection agréée du réservoir dans les cinq premières années de service du compresseur. Pour effectuer une inspection du réservoir, communiquer avec 1-800-AIR SERV.

Un réservoir qui n'a pas subi d'inspection au cours des 10 premières années de service du compresseur doit être retiré du service jusqu'à ce qu'il ait été inspecté. Un réservoir qui ne répond pas aux normes doit être remplacé.

⚠ AVERTISSEMENT

Si un réservoir rouillé n'est pas remplacé, il risque d'éclater ou d'exploser, entraînant la possibilité de dommages importants, de blessures graves ou même de décès. Ne jamais modifier ou réparer un réservoir : obtenir un réservoir de rechange dans un centre de service.

DÉPANNAGE

PROBLEME	POSSIBLE CAUSE	POSSIBLE SOLUTION
Usure anormale des pistons, des segments ou des cylindres	Viscosite trop faible du lubrifiant.	Vidanger le lubrifiant actuel et le remplacer par un lubrifiant qui convient.
	Niveau de lubrifiant trop faible.	Verser du lubrifiant dans le carter principal jusqu'au niveau requis.
	Le lubrifiant utilise est du type detergent.	Vidanger le lubrifiant actuel et le remplacer par un lubrifiant qui convient.
	Les cylindres ou les pistons sont egratignes, uses ou entaillés.	Reparer ou remplacer au besoin.
	Atmosphere chargee de poussières.	Installer une canalisation d'aspiration a distance et l'acheminer vers une source d'air propre. Installer un systeme de filtration plus efficace.
	Paroi de cylindre usee.	Roder le cylindre a l'aide d'un rodoir flexible de 180 grains.
Chute du debit d'air	Filtre sale a l'aspiration et/ou au refoulement.	Nettoyer ou remplacer.
	Fuites d'air dans les canalisations de refoulement.	Verifier les tubes et les raccords.
	Viscosite trop elevee du lubrifiant.	Vidanger le lubrifiant actuel et le remplacer par un lubrifiant qui convient.
	Fuites, bris ou accumulation de calamine dans les clapets du compresseur.	Inspecter les clapets. Les nettoyer ou les remplacer au besoin.
	Segments de pistons endommages ou uses (casses, rugueux ou egratignes). Coupe ou degagement lateral trop grand.	Installer une trousse de rechange segments et joints.
	Les segments sont hors de leur logement ou coincés dans leurs gorges ou leurs coupes ne sont pas decalées.	Ajuster les segments.
	Les cylindres ou les pistons sont egratignes, uses ou entaillés.	Reparer ou remplacer au besoin.
	Soupape de surete et de decharge defectueuse.	Remplacer
Le compresseur n'atteint pas sa vitesse de marche	Poulie motrice ou volant de courroie mal serre, trop de jeu dans l'arbre moteur ou courroies d'entraînement laches.	Verifier le volant, la poulie motrice, le vilebrequin, la tension et l'alignement de la courroie d'entraînement. Reparer ou remplacer au besoin.
	Viscosite trop elevee du lubrifiant.	Vidanger le lubrifiant actuel et le remplacer par un lubrifiant qui convient.
	Tension de ligne inadéquate.	Verifier la tension de ligne et ameliorer les lignes au besoin. Contacter un electricien.
	Fuites, bris ou accumulation de calamine dans les clapets du compresseur	Inspecter les clapets. Les nettoyer ou les remplacer au besoin. Installer une trousse de rechange clapets et joints.
	Paliers a billes defectueux sur le vilebrequin ou l'arbre moteur.	Inspecter les paliers et les remplacer au besoin.
Le compresseur met trop de temps a atteindre sa vitesse de marche	Viscosite trop elevee du lubrifiant.	Vidanger le lubrifiant actuel et le remplacer par un lubrifiant qui convient.
	Fuite de la soupape de surete ou siege de soupape use.	Remplacer la soupape de surete.
	La temperature de l'air ambiant est trop faible.	Installer le compresseur dans un lieu plus chaud. Installer une trousse de chauffage du carter principal.
	Mauvais moteur.	Remplacer.

Le compresseur devient extrêmement chaud	Ventilation insuffisante autour du volant de la courroie.	Deplacer le compresseur pour un debit d'air amelieore.
	Courroies d'entrainement trop laches ou mal alignees.	Ajuster les courroies pour leur donner la tension et l'alignement qui convient.
	Fuites, bris ou accumulation de calamine dans les clapets du compresseur.	Inspecter les clapets. Les nettoyer ou les remplacer au besoin. Installer une trousse de rechange clapets et joints.
	Direction de rotation du volant a contre-voie.	Verifier le cablage du moteur pour des connexions adequates. Inverser deux conducteurs sur moteurs triphases.
Bruit excessif a l'usage	Poulie motrice ou volant de courroie mal serre, trop de jeu dans l'arbre moteur ou courroies d'entrainement laches.	Verifier le volant, la poulie motrice, le vilebrequin, la tension et l'alignement de la courroie d'entrainement. Reparer ou remplacer au besoin.
	Viscosite trop elevee du lubrifiant.	Vidanger le lubrifiant actuel et le remplacer par un lubrifiant qui convient.
	Niveau de lubrifiant trop faible.	Verser du lubrifiant dans le carter principal jusqu'au niveau requs.
	Fuites, bris ou accumulation de calamine dans les clapets du compresseur.	Inspecter les clapets. Les nettoyer ou les remplacer au besoin. Installer une trousse de rechange clapets et joints.
	Accumulation de calamine sur le fond des plstons.	Nettoyer les pistons. Les reparer ou les remplacer au besoin.
	Paliers a billes dbfectueux sur le vilebrequin ou l'arbre moteur.	Inspecter les paliers et les remplacer au besoin.
	Fuite de la soupape de surete ou sigge de soupape use.	Remplacer la soupape de s0rete.
Arrets et demarrages trop frequents	Fuites d'air dans les canalisations de refoulement.	Verifier les tubes et les raccords.
	Differentiel du contacteur manometrique trop etroit.	Ajuster le contacteur manometrique pour augmenter le differentiel est possible. Installer un pressure contacteur manometrique avec un fonctionnalite d'ajustage du dfferentiel, sl l'ajustage du dfferentiel est souhaite.
	Fuite de la soupape de surete ou siege de soupape use.	Remplacer la soupape de surete.
	Trop de condensat dans le reservoir.	Purger le reservoir a l'aide du purgeur manuel.
Consommation excessive d'huile	Filtre sale a l'aspiration et/ou au refoulement.	Nettoyer ou remplacer.
	Viscosite trop faible du lubrifiant.	Vidanger le lubrifiant ectuel et le remplacer par un lubrifient qui convient.
	Le lubrifiant utilise est du type a detergent.	Vidanger le lubrifiant ectuel et le remplacer par un lubrifient qui convient.
	Segments de pistons endommages ou uses (casses, rugueux ou egratignes). Coupe ou degagement lateral trop grand.	Installer une trousse de rechange segments et joints.
	Les segments sont hors de leur logement ou coincés dans leurs gorges ou leurs coupes ne sont pas decalees.	Ajuster les segments.
	Les cylindres ou les plstons sont lgratignb, uses ou entailles.	Reparer ou remplacer au besoin.
	Une bllele, un axe de plston ou des paliers du maneton sont uses ou entailles.	Tout Inspecter. Rlparer ou remplacer au besoln.
	Le joint d'huile est use ou le vilebrequin est entaille.	Remplacer le joint ou la vilebrequin.
Paroi de cylindre usee.	Roder le cylindre a l'aide d'un rodoir flexible de 180 grains.	

Cognements ou cliquetis	Poulie motrice ou volant de wuroie mal serre, trop de jeu dans l'arbre moteur ou courroies d'entratnement laches.	Verifier le volant, la poulie motrice, le vilebrequin, la tension et l'alignement de la courroie d'entratnement. Reparer ou remplacer au besoin.
	Fuites, bris ou accumulation de calamine dans les clapets du compresseur	Inspecter les clapets. Les nettoyer ou les remplacer au besoin. Installer une trousse de rechange clapets et joints.
	Accumulation de calamine sur le fond des pistons	Nettoyer les pistons. Les reparer ou les remplacer au besoin.
	Les cylindres ou les pistons sont egratignes, uses ou entailles.	Reparer ou remplacer au besoin.
	Une bielle, un axe de plston ou des paliers du maneton sont uses ou entailles.	Tout inspecter. Reparer ou remplacer au besoin.
	Paliers billes defectueux sur le vilebrequin ou l'arbre moteur.	Inspecter les pallers et les remplacer au besoin.
Les voyants clignent ou s'affaiblissent lors du fonctionnement	Tension de ligne inadequade.	Verifier la tension de ligne et ameliorer les llgnes au besoin. Contacter un electricien.
	Cablage ou panneau de service electrique trop petit.	Installer un fil ou bone de service proprement dimensionne. Contacter un electricien.
	Mauvais contact sur les bornes du moteur ou mauvaises connexions du demarreur.	Assurer un contact adBquat sur les bornes du moteur ou les connexions du demarreur.
	Mauvais rechauffeurs de surcharge du demarreur.	Installer rechauffeurs de surcharge de demarreur adequats. Contacter un electricien.
	Mauvais reglage du puissance (ligne desequilibre).	Contacteur la compagnie d'electriclcte.
Humidite dans le carter principal ou aspect laiteux du lubrifiant d base de petrole ou rouille dans les cylindres	Le lubrifiant utilise est du type a detergent.	Vidanger le lubrifiant actuel et le remplacer par un lubrifiant qui convient.
	Cycles de marche extremement legers.	Falre fonctionner le compresseur par cycles plus longs.
	Le compresseur est situe dans un lieu humide.	Deplacer le compresseur.
Surcharge du moteur se declenche ou tire courant excessif	Viscosite trap elevee du lubrifiant.	Vidanger le lubrifiant actuel et le remplacer par un lubrifiant qui convient.
	Tension de ligne Inadequate.	Verifier la tension de ligne et ameliorer les lignes au besoin. Contacter un electricien.
	Cablage ou panneau de service electrique trop petit.	Installer un fil ou boite de service proprement dimensionne. Contacter un electricien.
	Mauvais contact sur les bornes du moteur ou mauvaises connexions du demarreur.	Assurer un contact adequat sur les bornes du moteur ou les connexions du demarreur.
	Mauvais rechauffeurs de surcharge du demarreur.	Installer rechauffeurs de surcharge de demarreur adequats. Contacter un electricien.
	Mauvais reglage du puissance (ligne desequilibre).	Contacteur la compagnie d'electricite.
	Courroies d'entratnement trop llches ou mal alignees.	Ajuster les courroies pour leur donner la tension et l'alignement qui convient.
	Fuites, bris ou accumulation de calamine dans les clapets du compresseur.	Inspecter les clapets. Les nettoyer ou les remplacer au besoin. Installer une trousse de rechange clapets et joints.
	Les cyllndres ou les plstons sont dgratignnds, uses ou entailles	Reparer ou remplacer au besoin.
	Une bielle, un axe de piston ou des paliers du maneton sont uses ou entailles.	Tout inspecter. Reparer ou remplacer au besoin.
	Pallers a billes ddefectueux sur le vilebrequin ou l'arbre moteur.	Inspecter les paliers et les remplacer au besoin.
	Fuite de la soupape de surete ou siege de soupape use.	Remplacer la soupape de s0rete.
	La temperature de l'air ambiant est trop faible.	Deplacer le compresseur dans un lieu plus chaud. Installer une trousse de chauffage du carter principal. Convertir l'appareil au lubriflant synthetique.
Mauvais moteur.	Remplacer.	

Moteur ne demarre pas	Tension de ligne inadquate.	Vdrifier la tension de ligne et ameliorer les lignes au besoin. Contacter un electricien.
	Cablage ou panneau de service electrique trop petit.	Installer un fil ou boite de service proprement dimenslonne. Contacter un electricien.
	Mauvais contact sur les bornes du moteur ou mauvaises connexions du demarreur.	Assurer un contact adequat sur les bornes du moteur ou les connexions du demarreur.
	Mauvais rechauffeurs de surcharge du demarreur.	Installer rechauffeurs de surcharge de demarreur adequats. Contacter un electricien.
	Mauvais moteur.	Remplacer
De l'huile dans l'alr de refoulement (pompage d'huile)	Viscosite trap faible du lubrifiant.	Vidanger le lubrifiant actuel et le rernplacer par un lubrifiant qui convient
	Le lubrifiant utilisee est du type a detergent.	Vidanger le lubrifiant actuel et le rernplacer par un lubrifiant qui convient
	Segments de pistons endommages ou uses (casses, rugueux ou egratignes). Coupe ou degagement lateral trop grand.	Installer une trousse de rechange segments et joints.
	Les segments sont hors de leur logernent ou winces dans leurs gorges ou leurs coupes ne sont pas decalees.	Ajuster les segments.
	Les cylindres ou les pistons sont egratignes, uses ou entalllies.	Reparer ou rempiacer au besom.
	Paroi de cylindre usee.	Roder le cylindre a l'aide d'un rodoir flexible de 180 grains.
	Trop de condensat dans le reservoir.	Purger le reservoir B l'alde du purgeur manuel.
Fuite du joint d'huile	Le joint d'hulle est us& ou le vllbrequin est entallle.	Remplacer le joint ou le vilebrequin.
La soupape de surete et de ddcharge crdpite	Filtre sale B l'aspiration evou au refoulement.	Nettoyer ou remplacer.
	Fuites, bris ou accumulation de calamine dans les clapets du compresseur.	Inspecter les clapecs. Les nettoyer ou les remplacer au besoin. Installer une trousse de rechange clapets et joints.
	Soupape de sirrete et de decharge defectueuse.	Remplacer

GARANTIE ET LIMITATION DE RESPONSABILITÉ

■ GARANTIE

La société **Ingersoll Rand** garantit que l'équipement fabriqué et livré par les présentes ne comporte aucun défaut de matériel ou de malfaçon et ce pendant une période douze (12) mois à partir de la date de mise en service de l'équipement ou de dix-huit (18) mois à partir de la date de livraison, selon la première éventualité. Cette période de garantie s'appliquera à tout équipement, sauf les suivants :

1. Pour les compresseurs achetés avec un kit de garantie étendue qui sont exploités uniquement avec le lubrifiant synthétique d'**Ingersoll Rand** fourni dans le kit, les compresseurs seuls seront garantis pendant les vingt-quatre (24) mois précédents à partir de la date de fonctionnement initial ou trente (30) mois à partir de la date d'expédition.
2. Les pièces de rechange seront garanties pendant six (6) mois à partir de la date de livraison.

Si la société est avisée par écrit d'une violation des dispositions de la présente garantie à l'intérieur de la période requise, alors la société s'engage, à son gré, à y remédier soit en réparant correctement l'équipement, soit en fournissant une pièce de rechange FAB du point d'origine, pourvu que l'acheteur ait installé, exploité et entretenu l'équipement conformément aux pratiques acceptées de l'industrie et qu'il ait suivi les recommandations particulières de la société. Les accessoires et les équipements fournis par la société mais fabriqués par un tiers seront protégés par la garantie obtenue du tiers par **Ingersoll Rand** et ayant pu être cédée à l'acheteur. La société ne sera en aucun cas tenue responsable des réparations, des remplacements ou des réglages effectués à l'équipement ou du coût de main-d'oeuvre engagé par l'acheteur sans l'autorisation écrite préalable de la société.

La société ne fait aucune garantie quant à la performance, exception faite des déclarations particulières faites dans sa proposition. Les effets de la corrosion, de l'érosion ainsi que de l'usure normale sont explicitement exclus des protections assurées par la garantie. Si des garanties de performance ont été explicitement incluses, alors les obligations de la société seront limitées à assurer un correctif de la manière et durant la période précisées ci-dessus.

LA SOCIÉTÉ NE FAIT AUCUNE AUTRE GARANTIE OU DÉCLARATION DE QUELQUE SORTE QUE CE SOIT, DE NATURE IMPLICITE OU EXPLICITE, SAUF EN CE QUI CONCERNE LE TITRE, ET ELLE RENONCE PAR LES PRÉSENTES À TOUTE GARANTIE IMPLICITE DE QUALITÉ LOYALE ET MARCHANDE.

La correction par la société de tout vice, qu'il soit apparent ou caché, de la manière et pendant la période établie ci-dessus, constituera l'accomplissement de toutes les responsabilités de la société et de ses distributeurs en vertu de tout vice qui concerne l'équipement ou qui en découle.

■ LIMITATION DE RESPONSABILITÉ

LES RECOURS DE L'ACHETEUR EN VERTU DE LA PRÉSENTE SONT EXCLUSIFS ET LA RESPONSABILITÉ TOTALE DE LA SOCIÉTÉ, DE SES DISTRIBUTEURS ET DE SES FOURNISSEURS EN CE QUI CONCERNE L'EXÉCUTION OU LA VIOLATION DU CONTRAT OU DE L'ÉQUIPEMENT ET DES SERVICES FOURNIS, OU EN CE QUI CONCERNE LA FABRICATION, LA VENTE, LA LIVRAISON, L'INSTALLATION, LA RÉPARATION OU LA DIRECTION TECHNIQUE PRÉVUE AU CONTRAT OU FOURNIE EN VERTU DE CE DERNIER, QUE CE SOIT EN VERTU D'UN CONTRAT, D'UNE GARANTIE, DE LA NÉGLIGENCE, D'UNE INDEMNISATION, DE LA RESPONSABILITÉ STRICTE OU AUTREMENT, NE POURRA PAS DÉPASSER LE PRIX D'ACHAT DE L'UNITÉ D'ÉQUIPEMENT SUR LAQUELLE LA RESPONSABILITÉ EST FONDÉE.

LA SOCIÉTÉ, SES DISTRIBUTEURS ET SES FOURNISSEURS NE SERONT DANS AUCUNE ÉVENTUALITÉ TENUS RESPONSABLES ENVERS L'ACHETEUR, SES AYANTS DROIT, SES BÉNÉFICIAIRES OU SES CESSIONNAIRES EN VERTU D'UN CONTRAT DES DOMMAGES-INTÉRÊTS INDIRECTS, ACCESSOIRES, FORTUITS, PARTICULIERS OU EXEMPLAIRES SURVENANT EN VERTU DU PRÉSENT CONTRAT OU DE SA VIOLATION OU D'UN DÉFAUT, D'UNE DÉFECTUOSITÉ OU D'UNE ANOMALIE DE L'ÉQUIPEMENT, QU'ILS SOIENT FONDÉS SUR LA PERTE DE JOUISSANCE, LA PERTE DE PROFITS OU DE REVENUS, L'INTÉRÊT, LA PERTE D'ACHALANDAGE, L'ARRÊT DU TRAVAIL, LES DOMMAGES À D'AUTRES BIENS, LES PERTES EN RAISON D'UN ARRÊT DE FONCTIONNEMENT, L'ACCROISSEMENT DES DÉPENSES D'EXPLOITATION, LE COÛT D'ACHAT D'UNE ALIMENTATION DE RECHANGE OU LES RÉCLAMATIONS DE CLIENTS OU D'ACHETEURS DE CLIENTS EN RAISON D'UNE INTERRUPTION DE SERVICE, PEU IMPORTE QUE TELLE PERTE OU QUE DE TELS DOMMAGES SOIENT FONDÉS SUR UN CONTRAT, UNE GARANTIE, UNE NÉGLIGENCE, UNE INDEMNITÉ, UNE RESPONSABILITÉ STRICTE OU AUTREMENT.



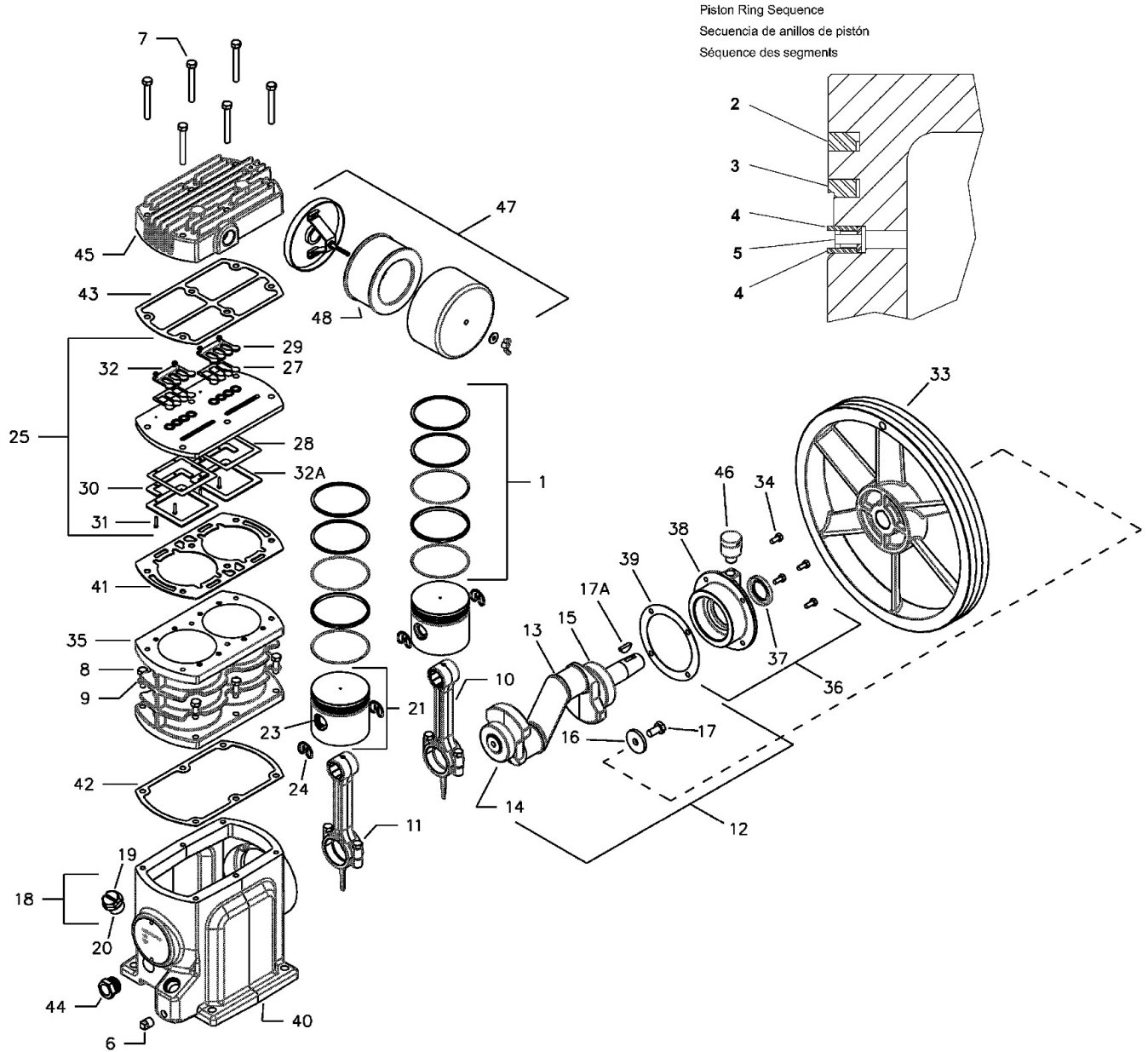
INGERSOLL-RAND
AIR COMPRESSORS

Ingersoll-Rand Company
800-B Beaty Street
P. O. Box 1803
Davidson, NC 28036
1-800 AIR SERV
www.air.ingersoll-rand.com

**PARTS LIST
FOR MODEL SS5
BARE COMPRESSOR PUMP**

**LISTA DE PIEZAS
PARA MODELO SS5
BOMBA COMPRESORA SIN
ACCESORIOS**

**LISTE DE PIÈCES
POUR COMPRESSEUR NU,
MODÈLE SS5**



Piston Ring Sequence
Secuencia de anillos de pistón
Séquence des segments

	N° DE REP.	N° DE PIÉCE	DESCRIPTION	QTÉ.
	REF.	97334148	COMPRESSEUR NU	-
X	1	20102703	JEU DE SEGMENTS	2
	2	NSS	●SEGMENT DE COMPRESSION	1
	3	NSS	●SEGMENT RACLEUR A EPAULEMENT	1
	4	NSS	●SEGMENT D'ESPACEMENT	2
	5	NSS	SEGMENT RACLEUR A FENTES	1
	6	95033593	BOUCHON DE VIDANGE D'HUILE	1
	7	96706874	VIS D'ASSEMBLAGE, M8 X 55 (BOULON DE CULASSE)	6
	8	96702253	VIS D'ASSEMBLAGE, M8 X 20 (BOULON DE CYLINDRE)	6
	9	96728316	RONDELLE A RESSORT M8	6
	10	97333173	BIELLE	2
	11	96705876	●VIS D'ASSEMBLAGE M6 X 35	2
	12	20102711	ENSEMBLE DE VILEBREQUIN	1
	13	NSS	●VILEBREQUIN	1
	14	NSS	●PALIER PRINCIPAL	1
	15	NSS	●PALIER A BILLES	1
	16	54423504	●RONDELLE M8	1
	17	96730437	●VIS D'ASSEMBLAGE M8 X 14 FILETEE A GAUCHE	1
	17A	95245494	●CLAVETTE WOODRUFF	
	18	97334254	ENSEMBLE DE BOUCHON DE REMPLISSAGE D'HUILE	1
	19	NSS	●BOUCHON DE REMPLISSAGE D'HUILE	1
	20	97334288	●JOINT TORIQUE DE BOUCHON DE REMPLISSAGE D'HUILE	1
	21	97333389	ENSEMBLE DE PISTON ET AXE	2
	22	NSS	●PISTON	1
	23	NSS	●AXE DE PISTON	1
	24	NSS	●CIRCLIP	2
□	25	97335061	CLAPET	1
	26	NSS	●PLAQUE DE CLAPET	1
	27	NSS	●CLAPET DE REFOULEMENT	2
	28	NSS	●CLAPET D'ASPIRATION	2
	29	NSS	●BUTEE DE REFOULEMENT	2
	30	NSS	●VOLET DE RETENUE D'ASPIRATION	2
	31	NSS	●VIS A TETE HEX. M3 X 16	4
	32	NSS	●ECROU HEX. M3 AVEC RONDELLE DE BLOCAGE	4
	32A	NSS	●BUTEE D'ASPIRATION	2
	33	97335756	VOLANT D'ENTRAINEMENT	1
	34	97330500	VIS D'ASSEMBLAGE M6 X 14 (BOULON DE CARTER)	4
	35	97333488	CYLINDRE	1
	36	20102729	ENSEMBLE DE CARTER	1
	37	97335624	●JOINT D'ARBRE	1
	38	NSS	●CARTER	1
	39	97333843	●JOINT DE CARTER	1
	40	97334171	CHASSIS DE COMPRESSEUR	1
□	41	54429600	JOINT DE PLAQUE DE CLAPET	1

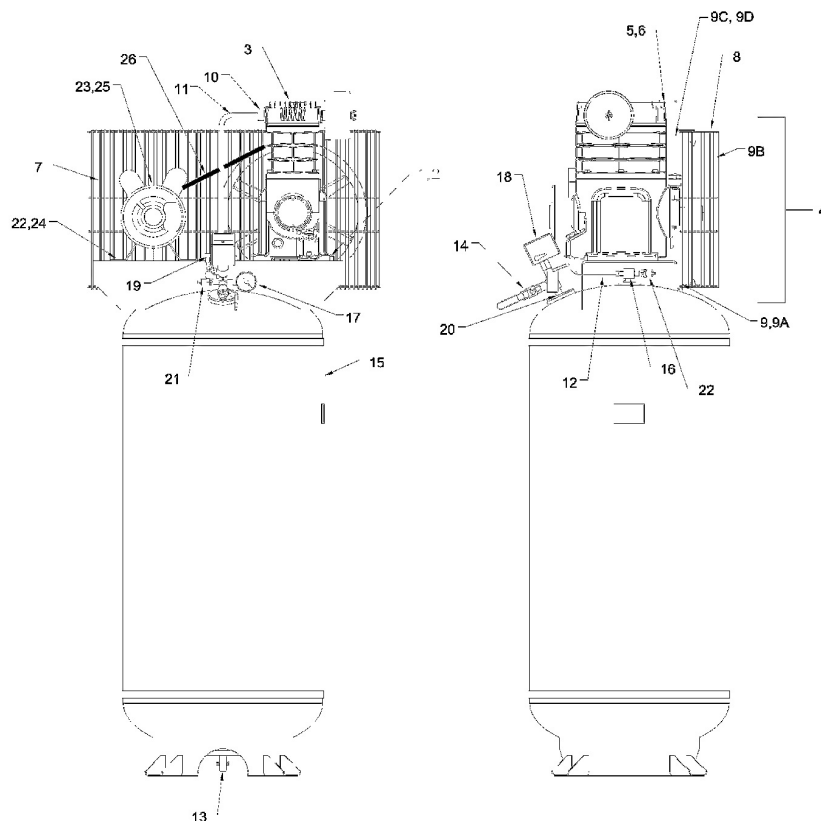
FR

<input checked="" type="checkbox"/>	42	97333546	JOINT DE CYLINDRE	1
<input type="checkbox"/>	43	54410667	JOINT DE CULASSE	1
	44	97334270	VISEUR	1
	45	54410683	CULASSE	1
	46	70243936	ENSEMBLE D'EVENT	1
	47	54406640	FILTRE D'ASPIRATION	1
	48	32170979	●ELEMENT FILTRANT	1

NSS NON VENDU SEPARMENT

 VENDU SEPARMENT OU DANS L'ENSEMBLE DE CLAPETS 20100277 VENDU SEPARMENT OU DANS L'ENSEMBLE DE SEGMENTS 20100285

LISTE DES PIÈCES



N° DE REP.	N° DE PIÈCE	DESCRIPTION	QTÉ.
1	84G03724	VIS À TÊTE	4
2	95750394	RONDELLE PRINTEMPS BLOCAGE	4
3	97334148	COMPRESSEUR, SEUL	1
GRUPE COURROIE DE RETENUE			
4	-	ENSEMBLE COMPLETE COURROIE DE RETENUE	1
5	32188518	SUPPORT, COURROIE DE RETENUE	1
6	56280159	VIS, HEX SERRATED BRIDE-M6-1.0X 12MM	1
7	54416730	COURROIE DE RETENUE, FRONT	1
8	54416748	COURROIE DE RETENUE, RETOUR	1
9	97173595	VIS À TÊTE, SELF TAP -1/4-20X1/2	4
9A	95916078	RONDELLE, FLAT 1/4 ZINC	4
9B	32496093	CLIP, ENDUIT DE PVC	4
9C	32241200	FIXATION, U TYPE	1
9D	32175564	VIS À TÊTE, SERRATED RONDELLE HEAD - 1/4X3/4	1
NI	54461108	GUARD, COMPRESSEUR FIN	1
TUBES ET RACCORDS GROUPE			
10	95031795	COUDE, TUBE 5/8 X 1/2	1
11	97339303	ENSEMBLE, TUBE DE REFOULEMENT -SS5LS	1
11	22090112	ENSEMBLE, TUBE DE REFOULEMENT -SS5N5	1

GROUPE RÉSERVOIR, COLLECTEUR D'AIR			
12	97339311	ASSY, VENT TUBE -t/4	1
13	32027120	VIDANGE DE LA SOUPAPE, MANUEL	1
14	32106551	SOUPAPE, À BILLES,- 1/2 F/F (SOUPAPE DE SERVICE)	1
15	56291412	RÉSERVOIR, COLLECTEUR D'AIR -SS5L5	1
15	22108781	RÉSERVOIR, COLLECTEUR D'AIR - SS5N5	1
16	85582229	VALVE, VÉRIFICATION- SS5L5	1
16	97333165	VALVE, VÉRIFICATION-SS5N5	1
17	56269608	MANOMETRE - SS5L5	1
17	32499816	MANOMETRE - SS5N5	1
18	54372834	CONTACTEUR, PRESSION-SS5L5	1
18	54627104	CONTACTEUR, PRESSION-SS5N5	1
19	97004030	CONNECTEUR CABLE	1
20	56269624	MONTAGE, COLLECTEUR	1
21	97171664	VALVE, SÉCURITÉ / RELIEF	1
22	54442041	VALVE, SÉCURITÉ / RELIEF-SS5L5	1
22	97010094	VALVE, SÉCURITÉ / RELIEF- SS5N5	1
NI	95417507	GLAND,1/2 X 1-1/8 -SS5N5	1
GROUPE MOTEUR			
22	32175556	VIS D'ASSEMBLAGE RONDELLE STRIÉE HEAD	4
23	32117996	SET,POULIE	1
24	39128566	ÉCROU, WHIZ-LOCK-5/16-18	4
25	47669474001	MOTEUR	1
26	95099453	COURROIE, TRAPÉ ZOÏDALE V-A58	1
NI = NON ILLUSTRÉ.			

TROUSSES ET ACCESSOIRES

■ GARANTIE ÉTENDUE KIT

Chaque kit de garantie étendue contient des filtres à air et suffisamment de lubrifiant toutes saisons pour deux années de fonctionnement.

NO. PIECE	DESCRIPTION
20100251	KIT, GARANTIE ÉTENDUE

■ LUBRIFIANT SYNTHÉTIQUE INGERSOLL RAND POUR COMPRESSEURS

NO. PIECE	DESCRIPTION
32318875	LUBRIFIANT, BOUTEILLE DE 0.5L
32318883	LUBRIFIANT, CAISSE DE BOUTEILLES DE 0.5L

■ ÉLÉMENT DE FILTRE D'AIR

NO. PIECE	DESCRIPTION
32170979	ÉLÉMENT, FILTRE D'AIR

■ TROUSSES D'ENTRETIEN RAPIDE

Les Trousses d'entretien rapide contiennent toutes les pièces pour l'entretien standard comme le remplacement des segments de piston et le remplacement des soupapes.

NO. PIECE	DESCRIPTION	CONTENU
20100277	TROUSSE, SEGMENT/ JOINT	Pièces d'usure des soupapes et joints de culasse détruits pendant le remplacement des pièces de soupape.
20100285	TROUSSE, SEGMENT/ JOINT	Jeu complet de segments de piston, joint de vilebrequin, et joints détruits pendant le démontage de l'unité pour le remplacement des segments.

■ TROUSSE DE CHAUFFAGE DU CARTER PRINCIPAL

L'insulation de trousse de chauffage du carter principal est conseillée pour les environnements avec des températures régulièrement au-dessous de 32°F (0°C). La trousse externe d'installation facile d'un réchauffeur du carter principal est fournie pour utilisation post-vente.

NO. PIECE	DESCRIPTION
97330385	TROUSSE, CHAUFFAGE DU CARTER PRINCIPAL

■ TUYAUX D'AIR A FONCTION MULTIPLE

Ces assemblages de tuyaux d'air sont des tuyaux de grande puissance, légers conGus pour une pression de travail de 300 PSIG.

NO. PIECE	DESCRIPTION
32323750	TUYAU, Air- 3/8" x 25' (1/4" Male NPT)
32323768	TUYAU, Air - 3/8" x 50' (1/4" Male NPT)
32323776	TUYAU, Air- 3/8" x 100' (1/4" Male NPT)

■ FILTRES EN Y

Les filtres en Y empêchent que des impuretés sont transportées en aval.

NO. PIECE	DESCRIPTION
32323628	FILTRE EN Y, 1/4"
32323636	FILTRE EN Y, 1/2"



A series of horizontal lines spanning the width of the page, providing a template for writing.

