



SS3F2-GM

Owner's Manual With Parts List

- EN** Owner's Manual With Parts List
- ES** Manual del propietario con la lista de piezas
- FR** Manuel du propriétaire avec liste des pièces



Save These Instructions






CONTENTS

SAFETY3	KITS & ACCESSORIES18
DEFINITIONS3	EXTENDED WARRANTY KIT.....18
GENERAL SAFETY PRECAUTIONS3	INGERSOLL-RAND SYNTHETIC COMPRESSOR LUBRICANT.....18
GENERAL INFORMATION3	AIR FILTER ELEMENT18
PREPARATION FOR USE3	STEP SAVER KITS.....18
TRANSPORTING THE UNIT.....3	CRANKCASE HEATER KIT18
SELECTING A LOCATION3	MULTI-PURPOSE AIR HOSES.....18
OPERATION6	Y-STRAINERS18
GENERAL.....6	WARRANTY AND LIMITATION OF LIABILITY19
NORMAL START-UP6	WARRANTY.....19
SHUTDOWN.....6	LIMITATION OF LIABILITY.....19
MAINTENANCE7	
FILTER REPLACEMENT.....7	
COMPRESSOR PUMP OIL CHANGE.....7	
TROUBLESHOOTING9	
PARTS LIST FOR MODEL SS3 BARE COMPRESSOR PUMP13	
PARTS LIST FOR MODEL SS3F2-GM16	

SAFETY

■ DEFINITIONS

 DANGER	Will cause DEATH, SEVERE INJURY or substantial property damage.
 WARNING	Can cause DEATH, SEVERE INJURY or substantial property damage.
 CAUTION	Will or Can cause MINOR INJURY or property damage.

■ GENERAL SAFETY PRECAUTIONS

DANGER

INTAKE AIR. Can contain carbon monoxide or other contaminants. Will cause serious injury or death. Ingersoll Rand air compressors are not designed, intended or approved for breathing air. Compressed air should not be used for breathing air applications unless treated in accordance with all applicable codes and regulations .

WARNING

HAZARDOUS VOLTAGE - Can cause serious injury or death. Disconnect power and bleed pressure from tank before servicing. Lockout/Tagout machine. Compressor must be connected to properly grounded circuit. See grounding instructions in manual. Do not operate compressor in wet conditions. Store indoors.

MOVING PARTS - Can cause serious injury. Do not operate with guards removed. Machine may start automatically. Disconnect power before servicing. Lockout/Tagout machine.

HOT SURFACES - Can cause serious injury. Do not touch. Allow to cool before servicing. Do not touch hot compressor or tubing.

HIGH PRESSURE AIR- Bypassing, modifying or removing safety/relief valves can cause serious injury or death. Do not bypass, modify or remove safety/relief valves. Do not direct air stream at body. Rusted tanks can cause explosion and severe injury or death. Drain tank daily or after each use. Drain valve located at bottom of tank.

CAUTION

RISK OF BURSTING- Use only suitable air handling parts acceptable for pressure of not less than the maximum allowable working pressure of the machine.

GENERAL INFORMATION

Your air compressor unit is suitable for operating air tools, caulking guns, grease guns, sandblasters, etc. Depending on your application, the following accessories may be required:

- An air pressure regulator to adjust the air pressure entering the tool or accessory.
- An air line filter for removal of moisture and oil vapor in compressed air.

- An in-line lubricator to prolong the life of air tools.
- Separate air transformers which combine the functions of air regulation and/or moisture and dirt removal.

Contact your nearest authorized dealer or call 1-800-AIR-SERV for more information on air tools and accessories for your application.

PREPARATION FOR USE

■ TRANSPORTING THE UNIT

CAUTION

The wheels and handle do not provide adequate clearance, stability or support for pulling the unit up and down stairs or steps. The unit must be lifted or pushed up a ramp. Do not use the handle to lift the unit.

■ SELECTING A LOCATION

GENERAL Select a clean, dry, well-lighted area with plenty of space for proper cooling air flow and accessibility. Locate the unit on a solid level surface at least 12 inches (30 cm) from walls. Ensure unit is as level as possible.

TEMPERATURE Ideal operating temperatures are between 32° F and 100° F (0° C and 37.8° C). In lower temperatures, you must protect safety/relief valves and drain valves from freezing.

CAUTION

Never operate in temperatures below 20°F {-6.6°C) or above 125°F (51.0°C).

HUMID AREAS In frequently humid areas, moisture may form in the bare pump and produce sludge in the lubricant, causing running parts to wear out prematurely. Excessive moisture is especially likely to occur if the unit is located in an unheated area that is subject to large temperature changes. Two signs of excessive humidity are external condensation on the bare pump when it cools down and a “milky” appearance in petroleum compressor lubricant. You may be able to prevent moisture from forming in the bare pump by increasing ventilation or operating for longer intervals.

NOISE CONSIDERATIONS Consult local officials for information regarding acceptable noise levels in your area. To reduce excessive noise, use vibration mounts or intake silencers, relocate the unit or construct total enclosures or baffle walls. Contact your dealer for assistance.

■ INSTALLING THE AIR INLET FILTER

⚠ CAUTION

Do not operate without air inlet filter.

Install the air inlet filter at the inlet connection at the bare pump. If heavy duty filtration is required, contact your dealer for information.

■ INSTALLING DISCHARGE PIPING

If it is necessary to install air discharge piping or condensate discharge piping, adhere to the following general guidelines. Contact your dealer for more information.

⚠ WARNING

If an aftercooler, check valve, block valve, or any other restriction is added to the compressor discharge, install a properly-sized ASME approved safety/relief valve between the compressor discharge and the restriction.

⚠ CAUTION

If you will be using Ingersoll-Rand synthetic compressor lubricant, all downstream piping material and system components must be compatible. Refer to the following material compatibility list. If there are incompatible materials present in your system, or if there are materials not included in the list, contact your dealer.

Suitable:

Viton®, Teflon®, Epoxy (Glass Filled), Oil Resistant Alkyd, Fluorosilicone, Fluorocarbon, Polysulfide, 2-Component Urethane, Nylon, Delrin®, Celcon®, High Nitrile Rubber (Buna N. NBR more than 36% Acrylonitrile), Polyurethane, Polyethylene, Epichlorohydrin, Polyacrylate, Melamine, Polypropylene, Baked Phenolics, Epoxy, Modified Alkyds (® indicates trademark of DuPont Corporation)

Not Recommended:

Neoprene, Natural Rubber, SBR Rubber, Acrylic Paint, Lacquer, Varnish, Polystyrene, PVC, ABS, Polycarbonate, Cellulose Acetate, Low Nitrile Rubber (Buna N. NBR less than 36% Acrylonitrile), EPDM, Ethylene Vinyl Acetate, Latex, EPR, Acrylics, Phenoxy, Polysulfones, Styrene Acrylonitrile (San), Butyl

GENERAL REQUIREMENTS-The piping, fittings, receiver tank, etc. must be certified safe for at least the maximum working pressure of the unit. Use hard-welded or threaded steel or copper pipes, cast iron fittings and hoses that are certified safe for the unit's discharge pressure and temperature. DO NOT USE PVC PLASTIC. Use pipe thread sealant on all threads, and make up joints tightly to prevent air leaks.

CONDENSATE DISCHARGE PIPING- If installing a condensate discharge line, the piping must be at least one size larger than the connection, as short and direct as possible, secured tightly and routed to a suitable drain point. Condensate must be disposed of in accordance with local, state, and federal laws and regulations.

NOTE: All compressed air systems generate condensate which accumulates in any drain point (e.g. tanks, filters, drip legs, aftercoolers, dryers). This condensate contains lubricating oil and/or substances which may be regulated and must be disposed of in accordance with local, state, and federal laws and regulations.

■ ELECTRICAL WIRING & GROUNDING

⚠ WARNING

Any electrical installation and service required should be performed by a qualified electrician who is familiar with all applicable local, state and federal laws and regulations.

NOTICE

This product should be connected to a grounded, metallic, permanent wiring system, or an equipment-grounding terminal or lead on the product.

GENERAL - The motor rating, as shown on the motor nameplate, and the power supply must have compatible voltage, phase and hertz characteristics.

WIRE SIZE - The electrical wiring between the power supply and electric motor varies according to motor horsepower. Power leads must be adequately sized to protect against excessive voltage drop during start up. Information for selecting the proper wire size and securing connections should be provided with the motor. If not, refer to the National Electric Code (NEC) or applicable local, state and federal laws and regulations. If other electrical equipment is connected to the same circuit, the total electrical load must be considered in selecting the proper wire size. DO NOT USE UNDERSIZE WIRE.

FUSES - Refer to the National Electric Code to determine the proper fuse or circuit breaker rating required. When selecting fuses, remember the momentary starting current of an electric motor is greater than its full load current. Time-delay or "slow-blow" fuses are recommended.

GROUNDING - The unit is equipped with a power cord having a grounding wire and an appropriate grounding plug. The plug must be used with an outlet that has been installed and grounded in accordance with all local codes and ordinances. The outlet must have the same configuration as the plug. DO NOT USE AN ADAPTER.

⚠ WARNING

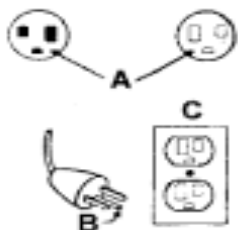
In the event of a short circuit, grounding reduces the risk of shock by providing an escape for the electric current. The unit must be properly grounded.

⚠ DANGER

Improper installation of the grounding plug result in a risk of electric shock. If repair or replacement of the cord or plug is necessary, do not connect the grounding wire to either flat blade terminal. The wire with insulation having an outer surface that is green with or without yellow stripes is the grounding wire.

Check with a qualified electrician or serviceman if the grounding instructions are not completely understood, or if in doubt as to whether the product is properly grounded. Do not modify the plug provided; if it will not fit the outlet, have the proper outlet installed by a qualified electrician.

This product is for use on a nominal 120-volt circuit and has a grounding plug that looks like the plug illustrated below. Make sure the product is connected to an outlet having the same configuration as the plug. No adapter should be used with this product.



A=Ground

B=Grounding Pin

C=Outlet

EXTENSION CORDS- It is preferable to use extra air hose instead of an extension cord to avoid voltage drop and power loss to the motor, and to prevent overheating. If an extension cord must be used, ensure it meets the following criteria:

- Three wire cord with a three blade grounding plug, and a three slot receptacle that will accept the plug on the unit.
- Good condition
- No longer than 50 feet.
- 12 gauge or larger.

NOTICE

Wire size increases as gauge number decreases. For example, 10 AWG and 8 AWG wire is acceptable, whereas 14 or 16 AWG are NOT acceptable.

■ COMPRESSOR LUBRICATION

⚠ CAUTION

Do not operate without lubricant or with inadequate lubricant. Ingersoll Rand is not responsible for compressor failure caused by inadequate lubrication.

SYNTHETIC LUBRICANT- We recommend Ingersoll-Rand synthetic compressor lubricant from start-up. See the WARRANTY section for extended warranty information.

ALTERNATE LUBRICANTS- You may use a petroleum-based lubricant that is premium quality, does not contain detergents, contains only anti-rust, anti-oxidation, and anti-foam agents as additives, has a flashpoint of 440°F (227°C) or higher, and has an auto-ignition point of 650°F (343°C) or higher.

See the petroleum lubricant viscosity table below. The table is intended as a general guide only. Heavy duty operating conditions require heavier viscosities. Refer specific operating conditions to your dealer for recommendations.

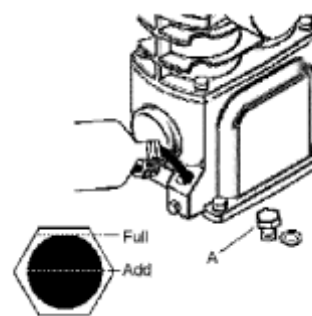
Temperature Around Unit		Viscosity @ 100°F (37.8°C)		Viscosity Grade	
°F	°C	SUS	Centistokes	ISO	SAE
40 & below	4.4 & below	150	32	32	10
40 - 80	4.4 - 26.7	500	110	100	30
80 - 125	26.7 - 51.0	750	165	150	40

If you use a petroleum-based compressor lubricant at start-up and decide to convert to Ingersoll-Rand synthetic compressor lubricant later on, the compressor valves must be thoroughly decarbonized and the crankcase must be flushed before conversion.

■ COMPRESSOR PUMP FILLING PROCEDURES:

1. Unscrew and remove the oil fill plug (A).
2. Slowly fill the crankcase with lubricant until the lubricant reaches the top thread of the oil fill opening and the top of the sight glass. Crankcase capacity is one (1) pint (0.5 liters).
3. Replace the oil fill plug **HAND TIGHT ONLY**.

Filling Procedures



OPERATION

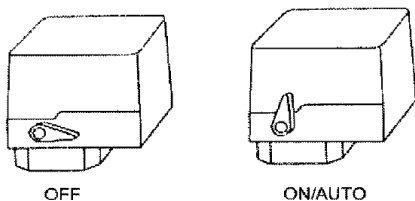
■ GENERAL

Your air compressor was designed for 100% continuous duty operation with the use of Ingersoll-Rand synthetic compressor lubricant and 60% continuous duty operation with the use of petroleum lubricant. In other words, synthetic lubricant allows the compressor to pump continuously without cycling. Petroleum lubricant limits the compressor to a maximum of 36 minutes of pumping time per hour. The compressor should not cycle more than 10 times per hour.

■ NORMAL START-UP

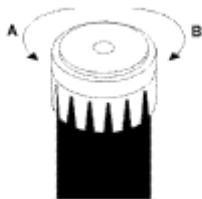
1. Set the pressure switch lever to "OFF"

Pressure Switch Lever



2. Close the regulator by pulling the adjustment dial out and turning it fully counterclockwise (A). Push the dial in when the knob will no longer turn.

Regulator



3. Attach hose and accessory.
4. Move the pressure switch lever to "ON/AUTO". The unit will start.
5. Allow tank pressure to build. The motor will stop when tank pressure reaches cut-out pressure.

6. Adjust the regulator to the desired secondary pressure by pulling the adjustment dial out and turning it clockwise (B) to increase the pressure or counterclockwise (A) to decrease the pressure. Push the dial in when the desired pressure is reached.

NOTICE

When the receiver tank pressure drops below the factory pre-set minimum, the pressure switch resets and restarts the unit.

■ SHUTDOWN

1. Set the pressure switch lever to "OFF".
2. Close the service valve fully.
3. Remove the air tool or accessory.
4. Slowly open the service valve to bleed air pressure down to 20 psig.
5. Slowly open the manual drain valve at the bottom of the tank to drain all condensate (water).
6. Close the drain valve and the service valve for the next use.
7. Wrap the power cord securely around the handle.
8. Store the unit indoors.

MAINTENANCE

⚠ WARNING

Unplug the unit and release air pressure from the tank before performing maintenance.

NOTICE

All compressed air systems contain maintenance parts (e.g. lubricating oil, filters, separators) which are periodically replaced. These used parts may be, or may contain, substances that are regulated and must be disposed of in accordance with local, state, and federal laws and regulations.

NOTICE

Take note of the positions and locations of parts during disassembly to make reassembly easier. The assembly sequences and parts illustrated may differ for your particular unit.

NOTICE

Follow engine owner's manual for engine maintenance schedules and procedures.

NOTICE

Any service operations not included in this section should be performed by an authorized service representative.

■ ROUTINE MAINTENANCE SCHEDULE

Daily or Before Each Operation	<ul style="list-style-type: none"> • Check lubricant level. Fill as needed. • Drain receiver tank condensate. Open the manual drain valve and collect and dispose of condensate accordingly. • Check for unusual noise and vibration. • Ensure covers are securely in place. • Ensure area around compressor is free from rags, tools, debris, and flammable or explosive materials.
Weekly	<ul style="list-style-type: none"> • Inspect air filter element. Clean or replace if necessary.
Monthly	<ul style="list-style-type: none"> • Inspect for air leaks. Squirt soapy water around joints during compressor operation and watch for bubbles. • Check tightness of screws and bolts. Tighten as needed. • Clean exterior.
3/500 *	<ul style="list-style-type: none"> • Change petroleum lubricant while crankcase is warm.
12/2000 *	<ul style="list-style-type: none"> • Change synthetic lubricant while crankcase is warm. • Replace filter element.

*** indicates months/operating hours, whichever occurs first.**

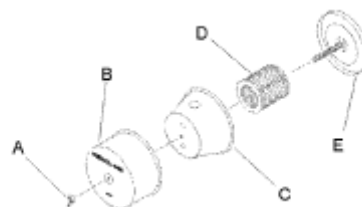
■ FILTER REPLACEMENT

1. Unscrew and remove the wing nut (A).
2. Remove the filter cover (B), baffle (C) and element (D) from the base (E).
3. Install a new element and reassemble the filter assembly.

NOTICE

The air intake holes in the baffle and cover must be staggered 180°. When reinstalling the assembly at the inlet connection, ensure the intake hole in the cover is on the bottom to minimize the entry of foreign matter from the air.

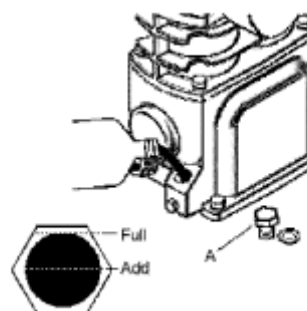
■ Filter Replacement



COMPRESSOR PUMP OIL CHANGE

1. Remove the oil drain plug (A) and allow the lubricant to drain into a suitable container.
2. Replace the oil drain plug.
3. Follow the filling procedures in OPERATION section.

■ COMPRESSOR PUMP OIL CHANGE



■ BELT ADJUSTMENT

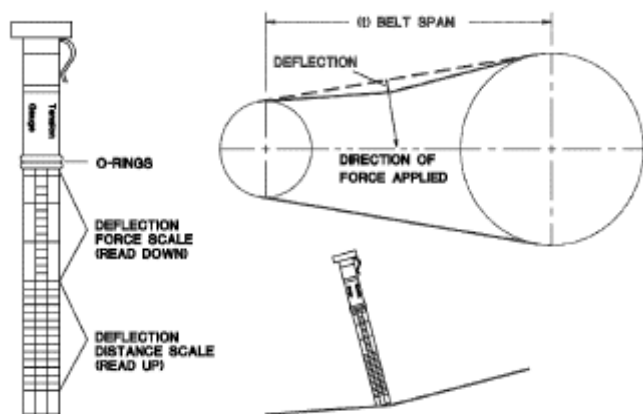
CHECKING BELT TENSION - Check belt tension occasionally, especially if looseness is suspected. A quick check to determine if adjustment is proper may be made by observing the slack side of the belt for a slight bow when the unit is in operation. If a slight bow is evident, the belt is usually adjusted satisfactorily.

TENSIONING BELTS - Belt tensioning can be achieved by loosening the motor anchor screws, pushing the motor away from the pump, and retightening the motor anchor screws. The motor can be easily moved by placing a prying tool beneath it. A commercially available spreader or other belt tensioning device can also be helpful should tensioning be necessary.

Follow the procedures outlined below to correctly set and measure belt tension.

1. Lay a straight edge across the top outer surface of the belt drive from pulley to sheave.
2. At the center of the span, perpendicular to the belt, apply pressure to the outer surface of the belt with a tension gauge. Force the belt to the deflection indicated in the table at right. Compare the reading on the tension gauge to the table below.

Deflection in Inches	Min. Tension (Lbs.)	Max. Tension (Lbs.)
0.17	3.0	6.0



NOTICE

Ensure the pulley and sheave are properly aligned and the motor anchor screws are adequately retightened prior to restarting the compressor.

⚠ CAUTION

Improper pulley/sheave alignment and belt tension can result in motor overload, excessive vibration, and premature belt and/or bearing failure.

To prevent these problems from occurring, ensure the pulley and sheave are aligned and belt tension is satisfactory after installing new belts or tensioning existing belts.

TANK INSPECTION

The life of an air receiver tank is dependent upon several factors including, but not limited to, operating conditions, ambient environments, and the level of maintenance. The exact effect of these factors on tank life is difficult to predict; therefore, Ingersoll-Rand recommends that you schedule a certified tank inspection within the first five years of compressor service. To arrange a tank inspection, contact the nearest 1-R Air Center or distributor, or call 1-800-AIR SERV.

If the tank has not been inspected within the first 10 years of compressor service, the receiver must be taken out of service until it has passed inspection. Tanks that fail to meet requirements must be replaced.

⚠ WARNING

Failure to replace a rusted air receiver tank could result in air receiver tank rupture or explosion, which could cause substantial property damage, severe personal injury, or death. Never modify or repair tank. Obtain replacement from service center.

TROUBLESHOOTING

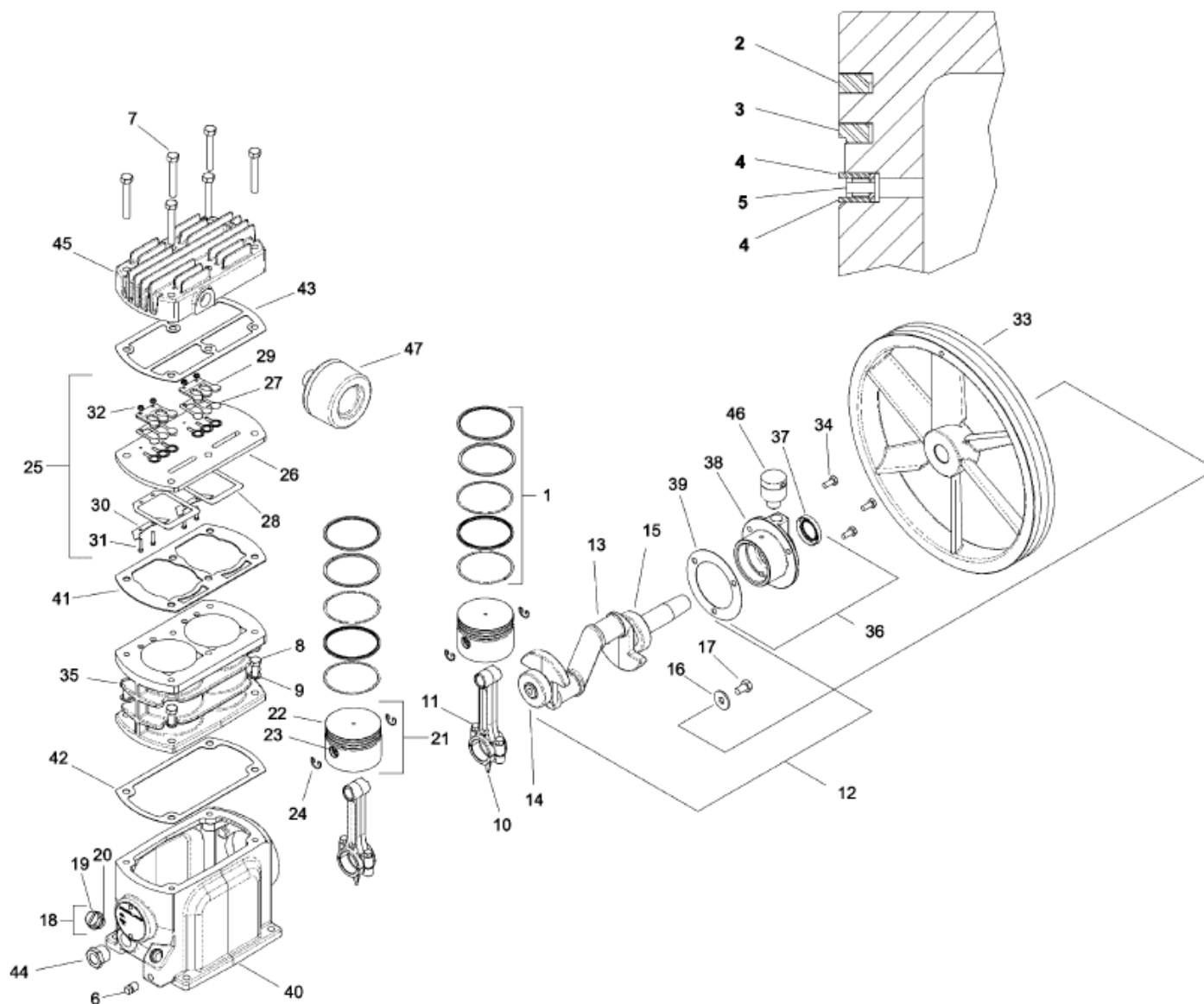
PROBLEM	POSSIBLE CAUSE	POSSIBLE SOLUTION
Abnormal piston, ring or cylinder wear	Lubricant viscosity too low	Drain existing lubricant and refill with proper lubricant.
	Lubricant level too low	Add lubricant to crankcase to proper level.
	Detergent type lubricant being used	Drain existing lubricant and refill with proper lubricant.
	Cylinder(s) or piston(s) scratched, worn or scored	Repair or replace as required .
	Extremely dusty atmosphere	Install remote air inlet piping and route to source of cleaner air. Install more effective filtration.
	Worn cylinder finish	Deglaze cylinder with 180 grit flex-hon.
Air delivery drops off	Clogged or dirty inlet and/or discharge line filter	Clean or replace.
	Air leaks in air discharge piping	Check tubing and connections.
	Lubricant viscosity too high	Drain existing lubricant and refill with proper lubricant .
	Compressor valves leaky, broken, carbonized or loose	Inspect valves. Clean or replace as required. Install valve kit.
	Piston rings damaged or worn (broken, rough or scratched). Excessive end gap or side clearance	Install ring kit.
	Piston rings not seated, are stuck in grooves or end gaps not staggered	Adjust piston rings.
	Cylinder(s) or piston(s) scratched, worn or scored.	Repair or replace as required.
	Defective safet /relief valve.	Replace
Unit does not come up to speed	Loose beltwheel or motor pulley, excessive end play in motor shaft or loose drive belts	Check beltwheel, motor pulley, crankshaft, drive belt tension and alignment. Repair or replace as required.
	Lubricant viscosity too high.	Drain existing lubricant and refill with proper lubricant.
	Improper line voltage.	Check line voltage and upgrade lines as required. Contact electrician.
	Compressor valves leaky, broken, carbonized or loose.	Inspect valves. Clean or replace as required. Install valve kit.
	Defective ball bearings on crankshaft or motor shaft.	Inspect bearings and replace crankshaft assembly if required.
Unit is slow to come up to speed	Lubricant viscosity too high.	Drain existing lubricant and refill with proper lubricant.
	Leaking check valve or check valve seat blown out.	Replace check valve.
	Ambient temperature too low.	Relocate unit to warmer environment. Install crankcase heater kit.
	Bad motor.	Replace
Unit runs excessively hot	Inadequate ventilation around beltwheel.	Relocate unit for better air flow.
	Drive belts too tight or misaligned.	Adjust belts to proper tension and alignment.
	Compressor valves leaky, broken, carbonized or loose.	Inspect valves. Clean or replace as required. Install valve kit.
	Wrong beltwheel direction of rotation.	Check motor wiring for proper connections. Reverse two leads on three-phase motors.

PROBLEM	POSSIBLE CAUSE	POSSIBLE SOLUTION
Excessive noise during operation	Loose beltwheel or motor pulley, excessive end play in motor shaft or loose drive belts.	Check beltwheel, motor pulley, crankshaft, drive belt tension and alignment. Repair or replace as required.
	Lubricant viscosity too high.	Drain existing lubricant and refill with proper lubricant.
	Lubricant level too low.	Add lubricant to crankcase to proper level.
	Compressor valves leaky, broken, carbonized or loose.	Inspect valves. Clean or replace as required. Install valve kit.
	Carbon build-up on top of piston(s).	Clean piston(s). Repair or replace as required.
	Defective ball bearings on crankshaft or motor shaft.	Inspect bearings and replace crankshaft assembly if required.
	Leaking check valve or check valve seat blown out.	Replace check valve.
Excessive starting and stopping	Air leaks in air discharge piping.	Check tubing and connections.
	Pressure switch differential too narrow.	Adjust pressure switch to increase differential, if differential adjustment is provided. Install pressure switch with differential adjustment feature if differential adjustment is desired.
	Leaking check valve or check valve seat blown out.	Replace check valve.
	Excessive condensate in receiver tank.	Drain receiver tank with manual drain valve.
High oil consumption	Clogged or dirty inlet and/or discharge line filter.	Clean or replace.
	Lubricant viscosity too low	Drain existing lubricant and refill with proper lubricant.
	Detergent type lubricant being used.	Drain existing lubricant and refill with proper lubricant.
	Piston rings damaged or worn (broken, rough or scratched). Excessive end gap or side clearance.	Install ring kit.
	Piston rings not seated, are stuck in grooves or end gaps not staggered.	Adjust piston rings.
	Cylinder(s) or piston(s) scratched, worn or scored.	Repair or replace as required
	Connecting rod, piston pin or crankpin bearings worn or scored.	Inspect all. Repair or replace as required.
	Crankshaft seal worn or crankshaft scored.	Replace seal or crankshaft assembly.
Worn cylinder finish.	Deglaze cylinder with 180 grit flex-hone,	
Knocking or rattling	Loose beltwheel or motor pulley, excessive end play in motor shaft or loose drive belts.	Check beltwheel, motor pulley, crankshaft, drive belt tension and alignment. Repair or replace as required.
	Compressor valves leaky, broken, carbonized or loose.	Inspect valves. Clean or replace as required. Install valve kit.
	Carbon build-up on top of piston(s).	Clean piston(s). Repair or replace as required.
	Cylinder(s) or piston(s) scratched, worn or scored.	Repair or replace as required
	Connecting rod, piston pin or crankpin bearings worn or scored.	Inspect all. Repair or replace as required.
	Defective ball bearings on crankshaft or motor shaft.	Inspect bearings and replace crankshaft assembly if required

PROBLEM	POSSIBLE CAUSE	POSSIBLE SOLUTION
Lights flicker or dim when running	Improper line voltage.	Check line voltage and upgrade lines as required. Contact electrician.
	Wiring or electric service panel too small	Install properly sized wire or service box. Contact electrician.
	Poor contact on motor terminals or starter connections.	Ensure good contact on motor terminals or starter connections.
	Improper starter overload heaters.	Install proper starter overload heaters. Contact electrician.
	Poor power regulation (unbalanced line).	Contact power company.
Moisture in crankcase or "milky" appearance in petroleum lubricant or rusting in cylinders	Detergent type lubricant being used.	Drain existing lubricant and refill with proper lubricant.
	Extremely light duty cycles.	Run unit for longer duty cycles.
	Unit located in damp or humid location.	Relocate unit.
Motor overload trips or draws excessive current	lubricant viscosity too high.	Drain existing lubricant and refill with proper lubricant.
	Improper line voltage.	Check line voltage and upgrade lines as required. Contact electrician.
	Wiring or electric service panel too small	Install properly sized wire or service box. Contact electrician.
	Poor contact on motor terminals or starter connections.	Ensure good contact on motor terminals or starter connections.
	Improper starter overload heaters.	Install proper starter overload heaters. Contact electrician.
	Poor power regulation (unbalanced line).	Contact power company.
	Drive belts too tight or misaligned.	Adjust belts to proper tension and alignment.
	Compressor valves leaky, broken, carbonized or loose.	Inspect valves. Clean or replace as required. Install valve kit.
	Cylinder(s) or piston(s) scratched, worn or scored.	Repair or replace as required.
	Connecting rod, piston pin or crankpin bearings worn or scored.	Inspect all. Repair or replace as required.
	Defective ball bearings on crankshaft or motor shaft.	Inspect bearings and replace crankshaft assembly if required.
	Leaking check valve or check valve seat blown out.	Replace check valve.
	Ambient temperature too low.	Relocate unit to warmer environment Install crankcase heater kit. Convert to synthetic lubricant.
	Bad motor.	Replace
Motor will not start	Improper line voltage.	Check line voltage and upgrade lines as required. Contact electrician.
	Wiring or electric service panel too small	Install properly sized wire or service box. Contact electrician.
	Poor contact on motor terminals or starter connections.	Ensure good contact on motor terminals or starter connections.
	Improper starter overload heaters.	Install proper starter overload heaters. Contact electrician.
	Bad motor.	Replace

PROBLEM	POSSIBLE CAUSE	POSSIBLE SOLUTION
Oil in discharge air (oil pumping)	lubricant viscosity too low.	Drain existing lubricant and refill with proper lubricant.
	Detergent type lubricant being used.	Drain existing lubricant and refill with proper lubricant.
	Piston rings damaged or worn (broken, rough or scratched). Excessive end gap or side clearance.	Install ring kit.
	Piston rings not seated, are stuck in grooves or end gaps not staggered.	Adjust piston rings.
	Cylinder(s) or piston(s) scratched, worn or scored.	Repair or replace as required.
	Worn cylinder finish.	Deglaze cylinder with 180 grit flex-hone.
	Excessive condensate in receiver tank.	Drain receiver tank with manual drain valve.
Oil leaking from shaft seal	Crankshaft seal worn or crankshaft scored.	Replace seal or crankshaft assembly.
Safety/relief valve "pops"	Clogged or dirty inlet and/or discharge line filter.	Clean or replace.
	Compressor valves leaky, broken, carbonized or loose.	Inspect valves. Clean or replace as required. Install valve kit.
	Defective safety/relief valve.	Replace

PARTS LIST FOR MODEL SS3 BARE COMPRESSOR PUMP



Piston Ring Sequence

REF. NO	PART NO.	DESCRIPTION	QTY.
REF	97330419	PUMP, BARE COMPRESSOR	-
1	32307092	SET, PISTON RING	2
2	NSS	• RING, COMPRESSION	1
3	NSS	• RING, SCRAPER	1
4	NSS	• RING, OIL CONTROL SPACER	2
5	NSS	• RING, OIL CONTROL	1
6	95033585	PLUG, OIL DRAIN	1
7	96715784	CAPSCREW, M8 X55 (HEAD BOLT)	6
8	96716113	CAPSCREW, M8 X 20 (CYLINDER BOLT)	4
9	96728316	WASHER, SPRING - M8	4
10	97330427	ASSEMBLY, CONNECTING ROD	2
11	96702246	• CAPSCREW, M6 X 25	2
12	97338081	ASSEMBLY, CRANKSHAFT -SERVICE	1
13	NSS	• CRANKSHAFT	1
14	NSS	• BEARING, MAIN	1
15	NSS	• BEARING, BALL	1
16	54375977	• WASHER, M8	1
17	54440045	• CAPSCREW, M8 X 20 -LEFT HAND THREAD	1
18	49812050	ASSEMBLY, OIL FILL PLUG	1
19	NSS	• PLUG, OIL FILL	1
20	95024394	• O-RING, OIL FILL PLUG	1
21	97330468	ASSEMBLY, PISTON & PIN	2
22	NSS	• PISTON	1
23	NSS	• PIN, PISTON	1
24	NSS	• RING, LOCK	2
☐ 25	97330484	ASSEMBLY, VALVE	1
26	NSS	• PLATE, VALVE	1
27	NSS	• VALVE, DISCHARGE	2
28	NSS	• VALVE, INLET	2
29	NSS	• STOP, DISCHARGE	2
30	NSS	• RETAINER, INLET	2
31	NSS	• SCREW,HEX HEAD-M3 X16	4
32	NSS	• NUT, HEX-M3 W/LOCKWASHER	4
33	97330492	BELT WHEEL	1
34	97330500	CAPSCREW, M6 X 14 (END COVER BOLTS)	3
35	97330625	CYLINDER	1
36	97338073	ASSEMBLY, END COVER-SERVICE	1
37	32204521	• SEAL, SHAFT	1
38	NSS	• COVER, END	1
39	97331227	• GASKET, END COVER	1
40	97330641	FRAME, COMPRESSOR	1
☐ 41	97330658	GASKET, VALVE PLATE	1
* 42	97330666	GASKET, CYLINDER	1
☐ 43	54571609	GASKET, HEAD	1
44	97330682	GLASS, SIGHT	1

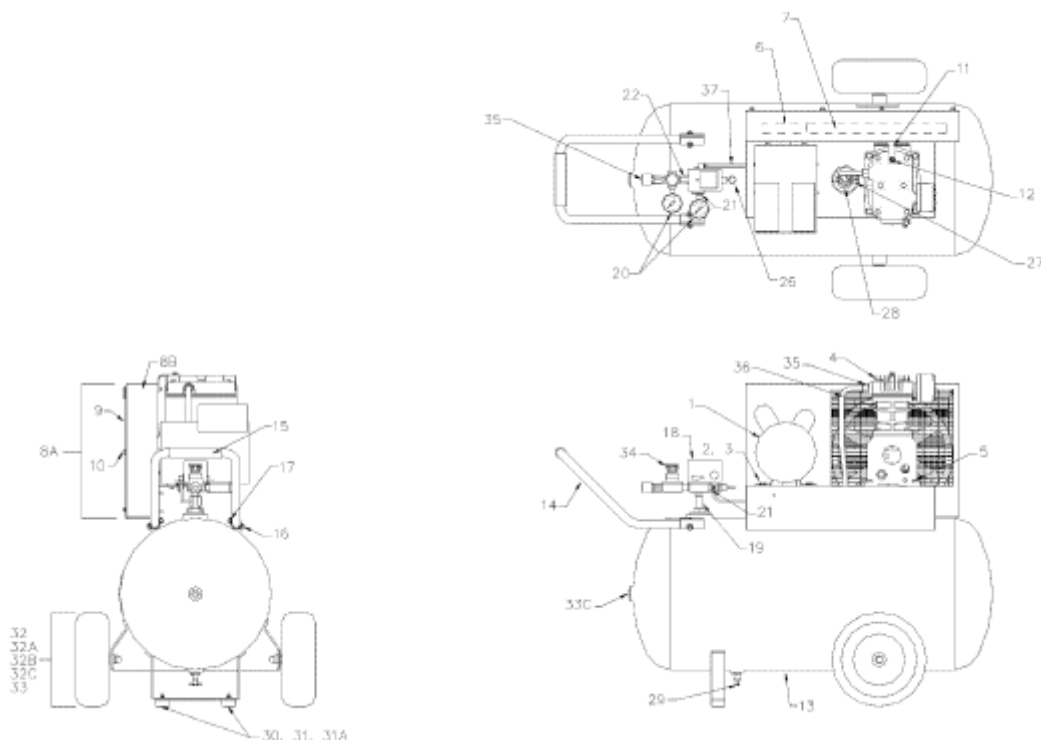
REF. NO	PART NO.	DESCRIPTION	QTY.
45	97330690	HEAD	1
46	70243936	ASSEMBLY, VENT	1
47	70243399	FILTER INLET	1
NI	70243712	• ELEMENT, FILTER	1

NSS NOT SOLD SEPARATELY

□ AVAILABLE INDIVIDUALLY OR IN VALVE KIT 97338107

* AVAILABLE INDIVIDUALLY OR IN PISTON RING KIT 97338115

PARTS LIST FOR MODEL SS3F2-GM



NOTE: POWER CORD NOT SHOWN.

■ MOTOR AND BARE PUMP GROUP			
REF. NO.	PART NO.	DESCRIPTION	QTY.
1	54441456	MOTOR, 115 VOLT W/CABLE	1
2	32164634	CAPSCREW, SERRATED WASHER HEAD -5/16X3/4	4
3	39128558	NUT, .31 WHIZ-LOCK	4
4	97330419	BARE, SS3	1
5	971 70849	SCREW, .31 X .75 LONG SELF TAPPING	4
6	54454913	SHEAVE	1
7	54454780	V- BE LT, AX46- GRIP NOTCH	1
■ BEL TGUARD GROUP			
REF. NO.	PART NO.	DESCRIPTION	QTY.
8A	20102562	ASSEMBLY, COMPLETE BELTGUARD	1
8B	54459516	BELTGUARD, REAR	1
9	54459508	BELTGUARD, FRONT	1
10	97173595	SCREW, .25 X .50 LONG SELF TAPPING	15
11	56269574	BRACE, BELT GUARD	1
12	56280159	SCREW, M6-1.0 X 12MM LONG (SERRATED)	1
■ RECEIVER GROUP			
REF. NO.	PART NO.	DESCRIPTION	QTY.
13	54478409	TANK, RECEIVER	1
14	54480249	HANDLE	1
15	54480223	GRIP, HANDLE	1

16	58879461	SCREW, .31 X 1.50 LONG WHIZ-LOCK	2
17	39128558	NUT, .31 WHIZ-LOCK	2
18	54441738	SWITCH, PRESSURE	1
19	95242582	NIPPLE, .25 X 1.50 LONG	1
20	54454319	GAUGE, PRESSURE	2
21	97503023	BUSHING, .25 X .13 REDUCING (TO MOUNT 20 & 26)	2
22	91896480	NIPPLE, (TO MOUNT REGULATOR)	1
NI	54441480	CORD, POWER	1
NI	97004030	CONNECTOR, CORD (ATTACH TO PRESSURE SWITCH)	2
26	97171664	VALVE, SAFETY/RELIEF	1
27	54381348	VALVE, SAFETY/RELIEF	1
28	56269590	VALVE, CHECK	1
29	32027120	VALVE, MANUAL DRAIN	1
30	97175343	PAD, ISOLATOR	2
31	39128434	SCREW, .25 X 1.00 LONG WHIZ-LOCK	2
31A	39128541	NUT, WHIZ-LOCK-1/4-20	2
32	47633135001	WHEEL, 10.0 INCH DIAMETER	2
32A	95958393	CAPSCREW, 1/2-18 X 3.5 (TO MOUNT WHEELS)	2
32B	95116877	NUT, SELF-LOCK 1/2-13 (TO MOUNT WHEELS)	2
32C	95937371	WASHER, FLAT, 1/2 I.D (TO MOUNT WHEELS)	2
33	20101929	AXLE (TO MOUNT WHEELS)	2
NI	32224537	CLAMP, MOTOR CABLE	1
NI	97173595	CAPSCREW, SELF-TAP-1/4-20 1/2 (FOR CLAMP)	1
33C	95928255	PLUG, TANK (NOT INCLUDED AS PART OF TANK ASSEMBLY)	1
34	37992849	REGULATOR	1
35	32238354	OUTLET, QUICK DISCONNECT	1

■ **TUBE AND TUBE FITTINGS GROUP**

REF. NO.	PART NO.	DESCRIPTION	QTY.
35	95083192	CONNECTOR, .50 TUBE X .38 NPT	1
36	54444500	TUBE, DISCHARGE	1
37	54499116	TUBE, PRESSURE SWITCH	1

KITS & ACCESSORIES

■ EXTENDED WARRANTY KIT

Each extended warranty kit contains air filters and all season select lubricant sufficient for two years operation.

PART NO.	DESCRIPTION
97338099	KIT EXTENDED WARRANTY

■ INGERSOLL-RAND SYNTHETIC COMPRESSOR LUBRICANT

PART NO.	DESCRIPTION
97338131	LUBRICANT, .5L BOTTLE
97338149	LUBRICANT, 6-PACK OF .5L BOTTLES

■ AIR FILTER ELEMENT

PART NO.	DESCRIPTION
70243712	ELEMENT, AIR FILTER

■ STEP SAVER KITS

Step Saver Kits provide all of the parts required to perform common repair tasks such as piston ring replacement or valve replacement.

PART NO.	DESCRIPTION	CONTENTS
97338107	KIT, VALVE/GASKET	Valve wearing parts and head gaskets that are destroyed in replacing valve parts.
97338115	KIT, RING/GASKET	Complete set of piston rings, a crankshaft seal, and gaskets that are destroyed in breaking the unit down to replace the rings.

■ CRANKCASE HEATER KIT

Crankcase heaters are recommended when ambient temperatures are consistently below 32°F (0°C). An easy-to-install external crankcase heater kit is intended for aftermarket use.

PART NO.	DESCRIPTION
97330385	KIT, CRANKCASE HEATER

■ MULTI-PURPOSE AIR HOSES

These air hose assemblies are heavy duty, light weight hoses designed for 300 PSIG working pressure.

PART NO.	DESCRIPTION
32323750	HOSE, AIR- 3/8" X 25" (1/4" MALE NPT)
32323768	HOSE, AIR- 3/8" X 50" (1/4" MALE NPT)
32323776	HOSE, AIR- 3/8" X 100" (1/4" MALE NPT)

■ Y-STRAINERS

Y-Strainers are designed to prevent foreign particles from moving downstream.

PART NO.	DESCRIPTION
32323628	Y-STRAINER, 1/4"
32323636	Y-STRAINER, 1/2"

WARRANTY AND LIMITATION OF LIABILITY

■ WARRANTY

Ingersoll Rand company warrants that the equipment manufactured by it and delivered hereunder shall be free of defects in material and workmanship for a period of twelve (12) months from the date of placing the equipment in operation or eighteen (18) months from the date of shipment, whichever shall occur first. The foregoing warranty period shall apply to all equipment, except the following:

1. Compressors purchased with an accompanying Extended Warranty Kit that are operated solely on the included Ingersoll Rand synthetic lubricant will have their bare compressor warranted for the earlier of twenty-four (24) months from the date of initial operation or thirty (30) months from the date of shipment.
2. Replacement parts will be warranted for six (6) months from the date of shipment.

Should any failure to confirm this warranty be reported in writing to the company within said period, the company shall, at its option, correct such non-confirmity by suitable repair to such equipment, or furnish a replacement part F.O.B point of shipment, provided the purchaser has installed, maintained and operated such equipment in accordance with good industry practiced and has complied with specific recommendations of the company. Accessories or equipment furnished by the company, but manufactured by others, shall carry whatever warranty the manufacturer conveyed to Ingersoll Rand Company and which can be passed on to the purchaser. The company shall not be liable for any repairs, replacements, or adjustments to the equipment or any costs of labour performed by the purchaser without company's prior written approval.

The company makes no performance warranty unless specifically stated within its proposal and the effects of corrosion, erosion and normal wear and tear are specifically excluded from the company's warranty. In the event performance warranties are expressly included, the company's obligation shall be to correct in the manner and for the period of time provided above.

THE COMPANY MAKES NO OTHER WARRANTY OF REPRESENTATION OF ANY KIND WHATSOEVER, EXPRESSED OR IMPLIED, EXPECT THAT OF TITLE, AND ALL IMPLIED WARRANTIES OF MERCHANTABILITY AND FITNESS FOR A PARTICULAR PURPOSE, AND HEREBY DISCLAIMED.

Correction by the company of non-conformities, whether patent or latent, in the manner and for the period of time provided above, shall constitute fulfillment of all liabilities of the company and its distributors for such non-conformities with respect to or arising out of such equipment.

■ LIMITATION OF LIABILITY

THE REMEDIES OF THE PURCHASER SET FORTH HEREIN ARE EXCLUSIVE, AND THE TOTAL LIABILITY OF THE COMPANY, ITS DISTRIBUTORS AND SUPPLIERS WITH RESPECT TO CONTRACT OR THE EQUIPMENT AND SERVICES FURNISHED, IN CONNECTION WITH THE PERFORMANCE OR BRANCH THEREOF, OR FROM THE MANUFACTURE, SALE, DELIVERY, INSTALLATION, REPAIR OR TECHNICAL DIRECTION COVERED BY OR FURNISHED UNDER CONTRACT, WHETHER BASED ON CONTRACT, WARRANTY, NEGLIGENCE, INDEMNITY, STRICT LIABILITY OR OTHERWISE SHALL NOT EXCEED THE PURCHASE PRICE OF THE UNIT OF EQUIPMENT UPON WHICH SUCH LIABILITY IS BASED.

THE COMPANY, ITS DISTRIBUTORS AND ITS SUPPLIERS SHALL IN NO EVENT BE LIABLE TO THE PURCHASER, ANY SUCCESSORS IN INTEREST OR ANY BENEFICIARY OR ASSIGNEE OF THE CONTRACT FOR ANY CONSEQUENTIAL, INCIDENTAL, INDIRECT, SPECIAL OR PUNITIVE DAMAGES ARISING OUT OF THIS CONTRACT OR ANY BREACH THEREOF, OR ANY DEFECT IN, OR FAILURE OF, OR MALFUNCTION OF THE EQUIPMENT, WHETHER OR NOT BASED UPON LOSS OF USE, LOSS PROFITS OR REVENUE, INTEREST, LOST GOODWILL, WORK STOPPAGE, IMPAIRMENT OF THE OTHER GOODS, LOSS BY REASON OF SHUTDOWN OR NON-OPERATION, INCREASED FOR SERVICE INTERRUPTION WHETHER OR NOT SUCH LOSS OR DAMAGE IS BASED ON CONTRACT, WARRANTY, NEGLIGENCE, INDEMNITY, STRICT LIABILITY OR OTHERWISE.





SS3F2-GM

Manual del propietario con la lista de piezas

ES Manual del propietario con la lista de piezas



Guarde estas instrucciones




IR Ingersoll Rand®

CONTENIDO

SEGURIDAD.....3	CONJUNTOS Y ACCESORIOS19
DEFINICIONES3	CONJUNTOS DE PUESTA EN MARCHA19
PRECAUCIONES GENERALES DE SEGURIDAD.....3	LUBRICANTE SINTÉTICO INGERSOLL-RAND PARA COMPRESORES19
INFORMACIONES GENERALES3	ELEMENTO DE FILTRO DE AIRE19
PREPARACIÓN PARA USO.....4	JUEGOS AHORRAPASOS19
TRANSPORTE DE LA UNIDAD.....4	JUEGOS DE CALEFACTOR DEL CÁRTER.....19
SELECCIÓN DE UNA UBICACIÓN.....4	CONDUCTOS DE AIRE PARA VARIOS USOS19
OPERACIÓN.....7	DEPURADORES EN Y19
GENERALIDADES7	GARANTÍA Y LIMITACIÓN DE RESPONSABILIDAD20
ARRANQUE NORMAL7	GARANTÍA.....20
PARADA.....7	LIMITACIÓN DE RESPONSABILIDADES20
MANTENIMIENTO8	
REEMPLAZO DEL FILTRO8	
CAMBIO DE ACEITE DE TA BOMBA DEF COMPRESOR9	
LOCALIZACIÓN DE FALLAS10	
LISTA DE PIEZAS PARA MODELO SS3 BOMBA COMPRESORA SIN ACCESORIOS14	
LISTA DE PIEZAS PARA EL MODELO SS3F2-GM.....17	

SEGURIDAD

DEFINICIONES

 PELIGRO	CAUSA la MUERTE, LESIONES GRAVES o daños importantes a la propiedad.
 ADVERTENCIA	PUEDE causar LA MUERTE, LESIONES GRAVES o daños importantes a la propiedad.
 PRECAUCIÓN	CAUSA O PUEDE CAUSAR LESIONES MENORES o daños a la propiedad.

PRECAUCIONES GENERALES DE SEGURIDAD

PELIGRO

AIRE DE ADMISIÓN. Puede contener monóxido de carbono u otros contaminantes. Puede causar lesiones graves o la muerte. Los compresores de aire Ingersoll-Rand no están diseñados, ni destinados para aire respirable. No se debe usar el aire comprimido para aplicaciones de aire respirable a menos que se trate de acuerdo con todas las normas y reglamentos correspondientes .

ADVERTENCIA

VOLTAJE PELIGROSO. Puede causar lesiones graves o la muerte. Oesconecte la energía y purgue la presión del receptáculo antes de dar mantenimiento. Bloquear/etiquetar la máquina. El compresor debe ser conectado a un circuito debidamente conectado a tierra. Vea las instrucciones de conexión a tierra en el manual. No opere el compresor en condiciones húmedas. Almacene dentro.

PARTES MÓVILES. Puede causar lesiones graves. No opere la máquina si se ha retirado el protector. La máquina puede empezar a funcionar automáticamente. Desconecte la energía ante de darle servicio a la máquina. Bloquear/etiquetar la máquina.

SUPERFICIE CALIENTE. Puede causar lesiones graves. No tocar. Deje que se enfríe antes de dar servicio. No toque el compresor o la tubería caliente.

AIRE DE ALTA PRESIÓN La derivación, modificación o retiro de las válvulas de seguridad/alivio puede causar lesiones graves o la muerte. No derive, modifique o retire las válvulas de seguridad/alivio. No apunte el flujo de aire a las personas. Receptáculos oxidados pueden causar una explosión y lesiones graves o la muerte. Drene el receptáculo diariamente o después cada uso. Válvula de drenaje ubicado al fondo del receptáculo.

PRECAUCIÓN

RIESGO DE EXPLÓSION. Utilice solamente piezas de manipulación de aire adecuadas que sean aceptables para presiones no menores a la presión máxima de trabajo admisible de la máquina.

INFORMACIONES GENERALES

Su compresor de aire está adecuado para la operación de herramientas neumáticas, pistolas de calafatear, pistolas engrasadoras, chorreadoras de arena, etc. Se necesitan los siguientes accesorios según la aplicación:

- Un regulador de la presión de aire para ajustar la presión de aire entrante la herramienta o accesorio.
- Un filtro de la línea de aire para eliminar la humedad y el vapor de aceite del aire comprimido.

- Un lubricador en línea para prolongar la vida de las herramientas neumáticas.
- Transformadores de aire separados combinando las funciones de regulación de aire y/o la eliminación de la humedad y suciedad.

Comuníquese con su representante autorizado o llame al 1-800-AIR-SERV para informaciones adicionales de las herramientas neumáticas y los accesorios de aplicaciones individuales

PREPARACIÓN PARA USO

■ TRANSPORTE DE LA UNIDAD

⚠ PRECAUCIÓN

Las ruedas y la manecilla no proveen espacio libre, estabilidad o soporte adecuados para tirar el compresor arriba y abajo escaleras. Se debe levantar o empujar el compresor en lo alto de una rampa. No use la manecilla para levantar la unidad.

■ SELECCIÓN DE UNA UBICACIÓN

GENERALIDADES Seleccione un área seco bien iluminada con bastante espacio para permitir una accesibilidad y un flujo de aire de enfriamiento adecuados. Ubique el compresor sobre una superficie sólida plana al menos 12 pulgadas (30 cm) de paredes. Asegúrese de que el compresor esta debidamente nivelado.

TEMPERATURA Las temperaturas de operación ideales fluctúan entre las 32° F y las 100° F (0°C y 37,8° C). En ambientes con temperaturas más bajas, se debe proteger las válvulas de seguridad/de descarga contra la congelación.

⚠ PRECAUCIÓN

No haga funcionar el compresor a temperaturas inferiores a -15°F (-26,1°C) o superiores a los 125°F (51,0°C).

ÁREAS HÚMEDAS En áreas frecuentemente húmedas, se puede acumular humedad en la bomba y producir sedimentos en el lubricante. Esto causará el desgaste prematuro de las piezas móviles. El exceso de humedad tiene muchas probabilidades de producirse si el compresor está ubicado en un área sin calefacción sujeta a grandes cambios de temperatura. Dos signos de exceso de humedad son la condensación externa en el compresor cuando éste se enfría y una apariencia "lechosa" del lubricante de petróleo. Se puede prevenirse la acumulación de humedad en la bomba por el aumento de la ventilación o operación del compresor por intervalos más prolongados.

CONSIDERACIONES SOBRE EL RUIDO. Consulte a las autoridades locales sobre los niveles aceptables de ruido en su área. Para reducir el exceso de ruido, use silenciadores en la admisión o almohadillas aislantes de la vibración, ubique el compresor en otro lugar o construya recintos totalmente cerrados o parades acústicas. Comuníquese con su distribuidor para ayuda.

■ INSTALACION DEL FILTRO DE ENTRADA DE AIRE

⚠ PRECAUCIÓN

No opere sin el filtro de entrada de aire.

Instale el filtro de entrada de aire a la conexión de entrada de la bomba. Comuníquese con su distribuidor para más informaciones, cuando se necesita una filtración de gran rendimiento.

■ INSTALACIÓN DE TUBERÍA DE DESCARGA

Para la instalación de la tubería de descarga de aire o de líquido condensado, observe las siguientes recomendaciones. Comuníquese con su distribuidor para más información.

⚠ ADVERTENCIA

Si se añade un posenfriador, Válvula de retención, Válvula de bloqueo o cualquier otra restricción a la descarga del compresor, debe instalarse una válvula de seguridad adecuadamente dimensionado y aprobada por ASME entre la descarga del compresor y la restricción .

⚠ PRECAUCIÓN

Si usa el lubricante sintético Ingersoll-Rand para compresores, todo el material de la tubería descendente y los componentes del sistema deben ser compatibles. Consulte la lista de compatibilidad de materiales que se indica a continuación. Si existen materiales no compatibles en su sistema, o si hay materiales no incluidos en la lista, comuníquese con su distribuidor.

Adecuados:

Viton®, Teflon®, epoxia (relleno con vidrio), alquid resistente al aceite, fluorosilicona, fluorocarbono, polisulfuro, uretano de dos componentes, nilón, Delrin®, Celcon®, goma con alto contenido de nitrilo (Buna N. NBR con mils de un 36% de acrilonitrilo), poliuretano, polietileno, epiclorhidrina, poliacrilato, melamina, polipropileno, fenólicos secados, epoxias, alquidos modificados
(* indica una marca registrada de DuPont Corporation)

No recomendados:

Neopren, goma natural, goma SBR, pintura acrílica, laca, barniz, poliestireno, PVC, ABS, policarbonatos, acetato de celulosa, goma con bajo contenido de nitrilo (BUNA N. NBR con rrenos de un 36% de acrilonitrilo), EPDM, acetato de vinilo etileno, latex, EPR, acrílicos, fenoxi, polisulfones, acrilonitrilo estireno (San), butilo

REQUISITOS GENERALES. Las tuberías, accesorios, estanque del receptor, etc. deben tener seguridad certificada para al menos la presión de trabajo de la unidad. Use conductos de cobre o acero roscados o cobresoldados, accesorios de hierro fundido y tubas que tienen seguridad certificada para la presión y temperatura de descarga del compresor. NO USE PLASTICO DE PVC. Use sellante de roscas de tubas en todas las roscas y junte estrechamente las uniones para evitar fugas de aire.

TUBERÍA DE DESCARGA DE LÍQUIDO CONDENSADO. Caso de que si instala un tubo de descarga de líquido condensado, el tubo debe tener un tamaño más grande que la conexión, y debe ser tan corta y directa como sea posible y debe estar adecuadamente encaminada al punto de colección. Se debe desechar el líquido condensado en conformidad con las leyes y normativas locales, federales y estatales.

NOTA: Todos los sistemas de aire comprimido producen líquido condensado que acumula en todos los puntos de drenaje (por ejemplo, tanques, filtros, tubas de goteo, posrefrigeradores, secadores, etc). Este líquido condensado contiene aceite lubricante y/o otras materias que deben ser desechadas en conformidad con las leyes y normativas locales, federales y estatales.

■ CABLEADO ELÉCTRICO Y CONEXION A TIERRA

⚠ ADVERTENCIA

La instalación y el mantenimiento eléctrico deben ser realizados por un electricista calificado que éste familiarizado con todas las leyes y normativas locales, estatales y federales correspondientes.

AVISO

Este compresor debe ser conectado a un sistema de cableado pennanente, met<llico, de conexión a tierra o a un terminal de conexión a tierra o un conductor de conexión a tierra del compresor.

GENERALIDADES - La capacidad nominal del motor indicada en la placa del motor y la fuente de energía deben tener caracterfsticas compatibles de voltaje, fase y hertzios.

DIÁMETRO DEL CABLE- El cableado eléctrico entre la fuente de energía y el motor eléctrico varfa de acuerdo con las caballos de fuerza del motor. Los conductores de energía deben tener el diámetro adecuado para garantizar protección contra una caída extrema del voltaje durante el arranque. El motor debe incluir información para seleccionar el diámetro de cable adecuado y para fijar las conexiones. Otramente, consulte al Código eléctrico nacional (NEC) o las regulaciones municipales, estatales y federales aplicables. Si se conectan otros equipos eléctricos al mismo circuito, debe considerarse la carga eléctrica total durante la selección de las tamaños apropiados de cable. **NO USE CABLES DE DIAMETRO INSUFICIENTE.**

FUSIBLES - Consulte el Código Eléctrico Nacional para determinar la capacidad adecuada de las fusibles e interruptores automáticos que se requieren. Al seleccionar las fusibles, recuerde que la corriente de arranque momentánea de un motor eléctrico es mayor que su corriente a plena carga. Se recomiendan fusibles temporizados ode acción retardada.

CONEXIÓN A TIERRA - El compresor tiene un cable de potencia con un conductor de conexión a tierra y una toma de conexión a tierra adecuada. La toma debe usarse con un conector instalado y conectado a tierra según todos loas códigos y regulaciones locales. Las configuraciones del conector y del enchufe deben ser idénticas. **NO USE UN ADAPTADOR.**

⚠ ADVERTENCIA

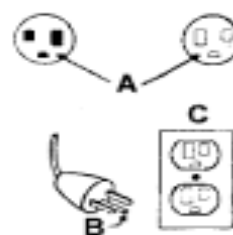
En caso de un cortocircuito, la conexión a tierra disminuye el riesgo de choque para proveer un escape a la corriente eléctrica. El compresor debe ser debidamente puesto a tierra.

⚠ PELIGRO

La instalación incorrecta de la toma de conexión a tierra puede causar un choque eléctrico. Cuando se necesita reparar o reemplazar el cordón o el enchufe, no conecte el hilo de conexión a tierra a cualquier terminal de hoja plana. Un conductor aislado con una cubierta verde con o sin bandas amarillas es el conductor de conexión a tierra.

Comuníquese con un electricista o el personal de servicio si las instrucciones de conexión a tierra no están completamente entendidas o si tiene algún incertidumbre si el compresor está correctamente puesta a tierra. No modifique el enchufe suministrado, cuando el enchufe no esta adecuado para la toma; una toma adecuada debe ser instalado por un electricista cualificada.

Este producto debe ser utilizado con un circuito nominal de 120 voltios y tiene un enchufe de conexión a tierra ilustrada en la figura abajo. Asegúrese de que el producto está conectada a un enchufe con una configuración idéntica a la configuración del enchufe. No use un adaptador con éste producto.



A=Tierra

B=Clavija de conexión a tierra

C=Salida

PROLONGACIONES ELÉCTRICAS- La utilización de tubos de aire adicionales está preferible en lugar de una prolongación eléctrica para evitar una caída de voltaje y pérdida de potencia del motor, y para evitar recalentamiento. Cuando se debe utilizar una prolongación eléctrica, asegúrese de que está satisface los siguientes criterios:

- Cordón trifilar con una toma de conexión a tierra con tres hojas, y un receptáculo con tres ranuras para insertar la toma.
- Condición correcta
- No más de 50 pies.
- Calibre 12 o más grande.

AVISO

El diámetro de los hilos se aumenta cuando el numero del diámetro disminuye. Por ejemplo, los hilos de 10 AWG y 8 AWG están aceptables, mientras los hilos 14 o 16 AWG NO están aceptables.

■ LUBRICACIÓN DEL COMPRESOR

⚠ PRECAUCIÓN

No haga funcionar el compresor sin lubricante o con un lubricante inadecuado. Ingersoll-Rand no se hace responsable en caso de fallas del compresor causadas por una lubricación inadecuada.

LUBRICANTE SINTÉTICO- Se recomienda usar el Lubricante sintético **Ingersoll-Rand** para compresores desde el inicio de las operaciones. Consulte la sección de GARANTIA para obtener información respecto a la garantía ampliada.

OTROS LUBRICANTES- Puede usar un lubricante basado en petróleo que sea de primera calidad, que no contenga detergentes, que contenga sólo agentes anticorrosivos, antioxidantes y antiespumantes como aditivos, con una temperatura de desprendimiento de gases explosivos de 440°F (227°C) o superior y un punto de autoencendido de 650°F (343°C) o superior ..

Consulte la tabla de viscosidad del lubricante de petróleo a continuación. La tabla pretende servir sólo como guía general. Las condiciones de operación de trabajos pesados requieren una mayor viscosidad. Para obtener más recomendaciones, consulte a su Distribuidor sobre sus condiciones de operación específicas.

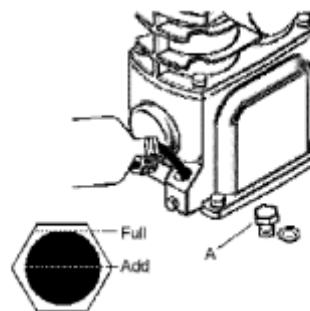
Temperatura alrededor del compresor		Viscosidad a 100°F (37,8°C)		Grado de viscosidad	
°F	°C	SUS	Centistokes	ISO	SAE
40 y inferior	4,4 y inferior	150	32	32	10
40 - 80	4,4 - 26,7	500	110	100	30
80 -125	26,7- 51,0	750	165	150	40

Si usa un lubricante basado en petróleo para el compresor al comenzar la operación y luego decide cambiarse al Lubricante sintético **Ingersoll-Rand** para compresores, se debe completamente descarboxilar las válvulas del compresor y lavar abundantemente el cárter antes de la conversión.

■ PROCEDIMIENTOS DE LLENADO DE LA BOMBA DEL COMPRESOR:

1. Destornille y saque el tapón de llenado de aceite (A).
2. Llene el cárter de aceite lentamente con lubricante hasta el lubricante llega a la rosca superior de la apertura de llenado de aceite y la parte superior de la ventanilla de nivel. La capacidad del cárter está una (1) pinta (0,5 litro).
3. Vuelva a poner el tapón del aceite y APRIETE ÚNICAMENTE A MANO.

Procedimientos de llenado



OPERACIÓN

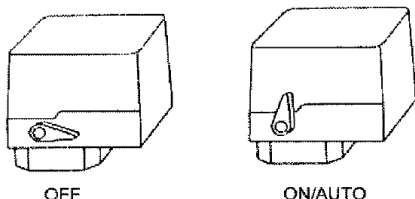
■ GENERALIDADES

El compresor fue diseñado para funcionar a un régimen continúe de 100% con el uso el lubricante sintético **Ingersoll-Rand** para compresores y un régimen continúe de 60% con el uso de otros lubricantes de petróleo. O sea, el uso de un lubricante sintético permite al compresor de bombear continuamente sin ciclación. Un lubricante de petróleo limita al compresor de funcionar un máximo de 36 minutos de tiempo de bombeo por hora. El compresor no debe ciclar más de 10 veces par hora.

■ ARRANQUE NORMAL

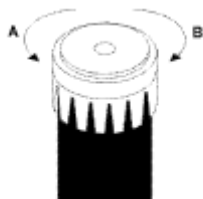
1. Ponga la palanca del disyuntor neumático en la posición "OFF".

Palanca del disyuntor neumático



2. Cierre el regulador en sacando fuera el disco de ajuste y girando completamente sinistrorso (A). Oprima el disco cuando no es posible girar el botón.

Válvula de servicio



3. Conecte el tubo y los accesorios
4. Ponga la palanca del disyuntor neumático en "ON/AUTO". La unidad se arranque.
5. Permite que la presión del tanque receptor aumenta. El motor se para cuando la presión del tanque receptor se llenara a la presión de corte.
6. Ajuste el regulador a la presión secundaria deseada sacando fuera el disco de ajuste y girando dextrorso (B) para aumentar la presión, o sinistrorso (A) para disminuir la presión. Oprima el disco cuando la presión deseada está establecida.

AVISO

Cuando la presión del tanque receptor baja a menos del mínimo preestablecido en la fábrica,, el disyuntor neumático se ponga a cero y re arranque la unidad.

■ PARADA

1. Ponga la palanca del disyuntor neumático en la posición "OFF".
2. Cierre la válvula de servicio completamente.
3. Saque la herramienta neumática o los accesorios.
4. Lentamente abra la válvula de servicio para purgar la presión de aire a 20 psig.
5. Lentamente abra la válvula de drenaje manual al fondo del tanque receptor para drenar todo el condensado (agua).
6. Close the drain valve and the service valve for the next use.
7. Cierre la válvula de drenaje y la válvula de servicio para su uso future.
8. Almacene la unidad dentro.

MANTENIMIENTO

⚠ ADVERTENCIA

Desconecte el compresor y descargue la presión del tanque antes de ejecutar el mantenimiento.

AVISO

Todos los sistemas de aire comprimido contienen componentes sujetos a mantenimiento (por ejemplo, aceite lubricante, filtros, separadores) que deben reemplazarse periódicamente. Estos componentes gastados pueden o no contener sustancias reguladas y se deben desechar en conformidad con las leyes y normativas locales, federales y estatales.

AVISO

Tome nota de las posiciones y ubicaciones de piezas durante el desmontaje para facilitar el reensamblaje. Las secuencias del montaje y las piezas ilustradas pueden diferir por su unidad particular.

AVISO

Consulte al manual del usuario para los programas y procedimientos de mantenimiento del motor.

AVISO

Cualquier operación de servicio que no se incluya en esta sección debe ser ejecutada por un representante autorizado.

■ PROGRAMA DE MANTENIMIENTO DE RUTINA

Diarlamente o antes de cada operación	<ul style="list-style-type: none"> Revise el nivel del lubricante. Rellene según sea necesario. Drene el líquido condensado del tanque receptor. Abra la válvula de drenaje manual, recoja y disponga del líquido condensado según corresponda. Verifique si hay vibraciones y ruidos inusuales Asegúrese de que los guardabandas y las cubiertas estén bien sujetos en su lugar. Asegúrese de que el área alrededor del compresor esté libre de trapos, herramientas, escombros y materiales inflamables o explosivos.
Weekly	<ul style="list-style-type: none"> Revise el elemento del filtro de aire. Limpie o reemplace si necesario.

Monthly	<ul style="list-style-type: none"> Verifique si hay fugas de aire. Ponga agua jabonosa alrededor de las juntas mientras el compresor está funcionando y observe si se producen burbujas. Revise el apriete de los tornillos y pernos. Vuelva a apretar si es necesario. Limpie el exterior.
3/500 *	<ul style="list-style-type: none"> Camble el lubricante de petróleo mientras el cárter esté tibio.
12/2000 *	<ul style="list-style-type: none"> Cambie el lubricante sintético mientras el cárter esté tibio. Reemplace el elemento de filtro.

* indica meses/horas de operación, lo que ocurra primero.

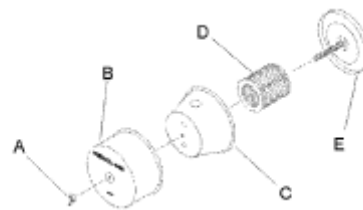
■ REEMPLAZO DEL FILTRO

- Destornille y saque la tuerca de mariposa (A).
- Saque la cubierta del filtro (B), el deflector (C) y el elemento (D) de la base (E).
- Instale un nuevo elemento y remonte el conjunto del filtro.

AVISO

Las aperturas de aspiración de aire en el deflector y la cubierta deben alternarse a 180°. Durante la reinstalación del conjunto a la conexión de entrada, asegúrese de que la apertura de aspiración está al fondo para minimizar la entrada de materias extrañas desde el aire.

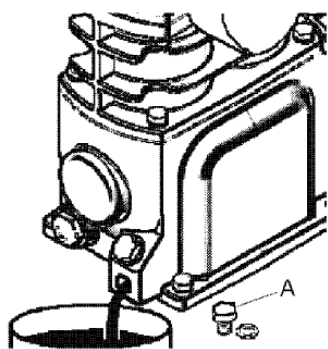
■ Cambio del filtro



CAMBIO DEL ACEITE DE LA BOMBA DEL COMPRESOR

- Saque el tapón de drenaje de aceite (A) y deje que el lubricante se drene en un contenedor adecuado.
- Vuelva a poner el tapón de drenaje de aceite.
- Siga los procedimientos de llenado en la sección de OPERACIÓN.

■ CAMBIO DE ACEITE DE LA BOMBA DEL COMPRESOR



■ AJUSTE DE LA CORREA

COMPROBACIÓN DE LA TENSIÓN DE LA CORREA-

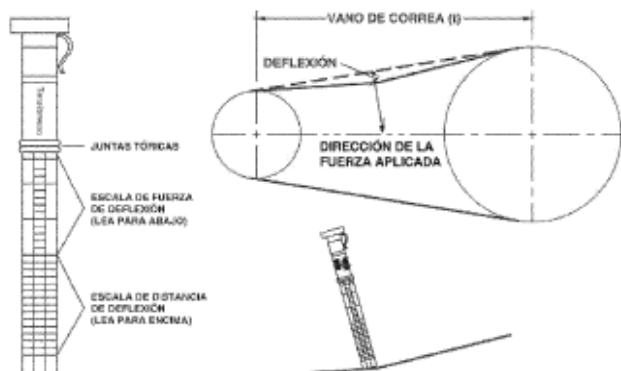
Compruebe la tensión de la correa, especialmente si aflojamiento está sospechado. Se puede hacer una comprobación rápida para determinar si el ajuste es apropiado, observando si hay un leve arco en el lado flojo de la correa cuando la unidad está en operación. Si hay un leve arco, por lo común la correa está satisfactoriamente ajustada.

TENSADO DE CORREAS - El tensado de la correa se puede lograr mediante el aflojamiento de los tornillos de anclaje del motor, alejando el motor de la bomba y volviendo a apretar los tornillos de anclaje del motor. El motor se puede mover fácilmente colocando bajo él una herramienta de palanca. Si es necesario el tensado, también puede ser útil un separador comercial u otro dispositivo de tensado de correas.

Sigue los procedimientos a continuación para fijar y medir la tensión de la correa correctamente.

1. Apoye un borde recto en la superficie exterior superior de la transmisión de la correa, desde la polea a la roldana.
2. Al centro del tramo, en forma perpendicular a la correa, aplique la presión a la superficie exterior de la correa con un medidor de tensión. Fuerce la correa hasta la flexión que aparece en la tabla de la derecha. Compare la lectura del medidor de tensión con la siguiente tabla.

Flexión en pulgadas	Tensión mín. lbs.	Tensión máx. lbs.
0,17	3,0	6,0



AVISO

Antes de volver a poner en marcha el compresor, compruebe que la polea y la roldana estén adecuadamente alineadas y que los tornillos de anclaje del motor se vuelvan a apretar adecuadamente.

⚠ PRECAUCIÓN

La alineación inadecuada de la polea y la roldana y la tensión inadecuada de la correa puede tener como resultado sobrecarga del motor, exceso de vibración y falla prematura de la correa y/o el rodamiento.

Para evitar estos problemas, compruebe que la polea y la roldana estén alineadas y que la tensión de la correa sea satisfactoria después de instalar correas nuevas o de tensar correas existentes.

INSPECCIÓN DEL TANQUE RECEPTOR

La vida útil de un estanque receptor de aire depende de varios factores incluyendo, entre otras cosas, condiciones operativas, ambientes y nivel de mantenimiento. El efecto preciso de estos factores sobre la vida útil del estanque es difícil de predecir; por lo tanto, **Ingersoll-Rand** le recomienda programar una inspección certificada del estanque durante los primeros cinco años de uso del compresor. Para disponer la inspección de un estanque, comuníquese con 1-R Air Center o con su distribuidor más cercano o llame al 1-800-AIR SERV.

Si el estanque no se ha inspeccionado dentro de los primeros 10 años de uso del compresor, se debe dejar inoperativo hasta que haya pasado la inspección. Los estanques que no cumplen con los requisitos deben ser reemplazados.

⚠ ADVERTENCIA

El no reemplazar un estanque receptor de aire oxidado puede tener como resultado la ruptura o explosión del dicho estanque, lo que podría provocar importantes daños a la propiedad y graves lesiones a las personas o incluso la muerte. Nunca ni modifique ni repare el estanque. Consiga su reemplazo en el centro de servicio técnico.

LOCALIZACIÓN DE FALLAS

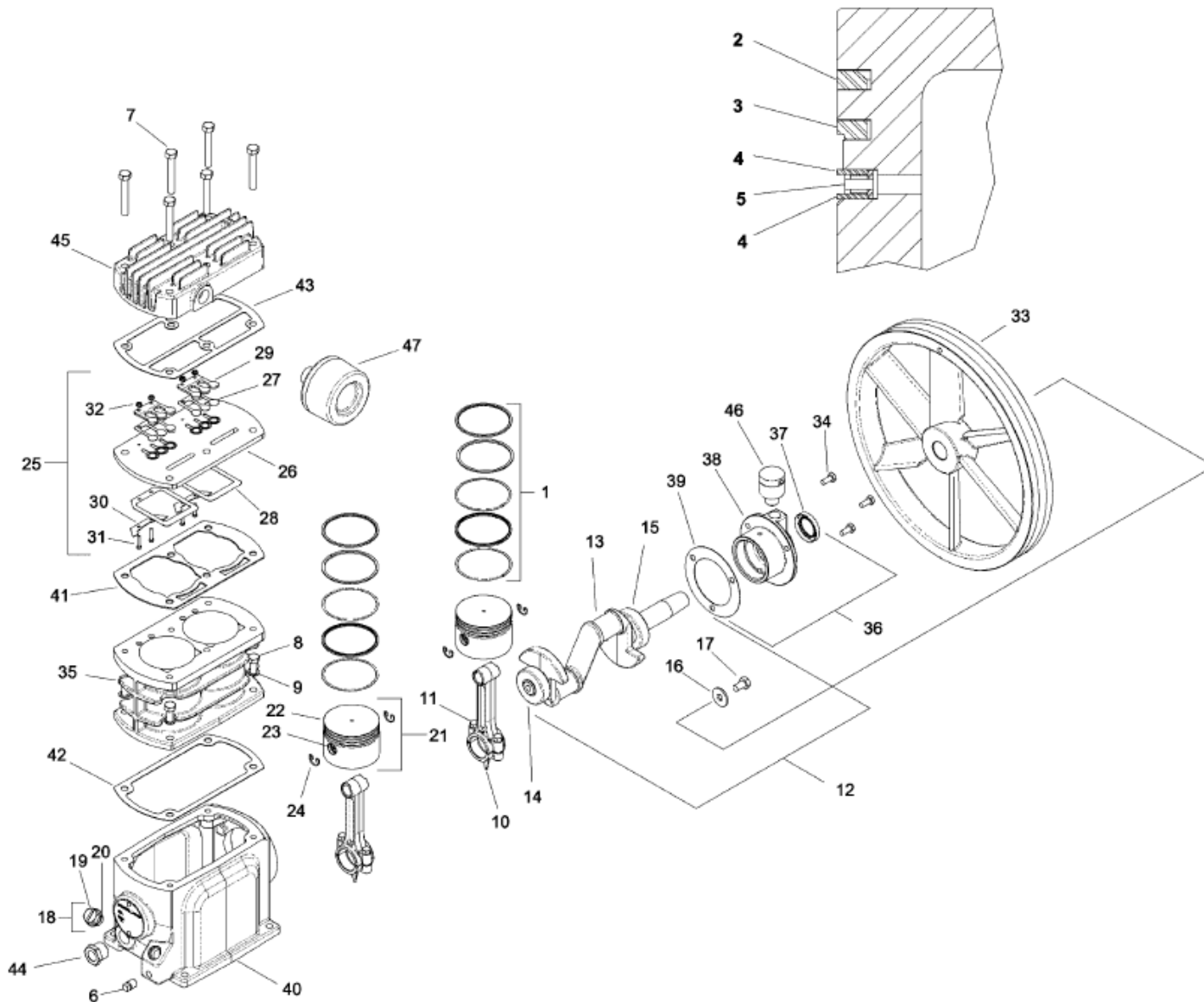
PROBLEMA	CAUSA POSIBLE	SOLUCIÓN POSIBLE
Desgaste anormal del cilindro, anillo o pistón.	Lubricante poco viscoso.	Drene el lubricante y vuelva a llenar con uno adecuado.
	Muy poco lubricante.	Agregue lubricante al cárter hasta el nivel adecuado.
	Se está usando lubricante tipo detergente.	Drene el lubricante y vuelva a llenar con uno adecuado.
	Cilindros o pistones rayados, gastados o cortados.	Repare o reemplace según sea necesario.
	Atmósfera extremadamente polvorienta.	Instale tubería y acceso de aire remoto a una fuente de aire más limpio. Instale un filtro más eficaz.
	Capa superficial del cilindro desgastada.	Limpie el cilindro con flex-hone de 180 gránulos.
La entrega de aire disminuye	Entrada y/o filtro del tubo de descarga sucio o atascado.	Limpie o reemplace.
	Filtraciones de aire en la tubería de descarga de aire.	Revise la tubería y las conexiones.
	Lubricante demasiado viscoso.	Drene el lubricante y vuelva a llenar con uno adecuado.
	Válvulas del compresor rotas, carbonizadas, sueltas o con filtraciones.	Inspeccione las válvulas. Limpie o reemplace según sea necesario. Instale el Juego de válvulas.
	Anillos del pistón dañados o gastados (rotos, rugosos o rayados). Espacio final o separación lateral excesiva.	Instale el Juego de anillos.
	Los anillos del pistón no están asentados, están pegados a las ranuras o los espacios finales no están escalonados.	Ajuste los anillos del pistón.
	Cilindros o pistones rayados, gastados o cortados.	Repare o reemplace según sea necesario.
	Válvula de seguridad/descarga defectuosa.	Reemplace.
El compresor no llega a la velocidad deseada	Rueda de la banda o polea del motor de partida sueltas, juego excesivo en el eje del motor o bandas de la transmisión sueltas.	Revise la tensión y alineación de la rueda de la banda, polea del motor de partida, cigüeñal, y banda de transmisión. Repare o reemplace según sea necesario.
	Lubricante demasiado viscoso.	Drene el lubricante y vuelva a llenar con uno adecuado.
	Voltaje de línea incorrecta.	Revise el voltaje de línea y mejore según necesario. Comuníquese con un electricista.
	Válvulas del compresor rotas, carbonizadas, sueltas o con filtraciones.	Inspeccione las válvulas. Limpie o reemplace según sea necesario. Instale el Juego de válvulas.
	Cojinetes de bolas defectuosos en el cigüeñal o eje del motor de partida.	Inspeccione los cojinetes y reemplace el ensamblaje del cigüeñal si es necesario.
El compresor tarda en llegar a la velocidad deseada	Lubricante demasiado viscoso.	Drene el lubricante y vuelva a llenar con uno adecuado.
	válvula de retención con filtraciones o asiento de la válvula fundido.	Reemplace la válvula de retención.
	Temperatura ambiente demasiado baja.	Ubique el compresor en un ambiente más cálido. Instale juego calefactor del cárter.
	Motor dañado.	Reemplace.
El compresor se vuelve excesivamente caliente durante el funcionamiento	Ventilación inadecuada en la rueda de la banda.	Ubique el compresor en una posición con mejor ventilación.
	Bandas de transmisión muy apretadas o mal alineadas.	Ajuste las bandas a la tensión y alineación adecuadas.
	Válvulas del compresor rotas, carbonizadas, sueltas o con filtraciones.	Inspeccione las válvulas. Limpie o reemplace según sea necesario. Instale el Juego de válvulas.
	Sentido erróneo de rotación de la rueda de banda.	Revise el cableado del motor para conexiones adecuadas. Invierte dos conductores de motores trifásicos.

PROBLEMA	CAUSA POSIBLE	SOLUCIÓN POSIBLE
Ruido excesivo durante la operación	Rueda de la banda o polea del motor de partida sueltas, juego excesivo en el eje del motor o bandas de la transmisión sueltas.	Revise la tensión y alineación de la rueda de la banda, polea del motor de partida, cigüeñal, y banda de transmisión. Repare o reemplace según sea necesario.
	Lubricante demasiado viscoso.	Drene el lubricante y vuelva a llenar con uno adecuado.
	Muy poco lubricante.	Agregue lubricante al cárter hasta el nivel adecuado.
	Válvulas del compresor rotas, carbonizadas, sueltas o con filtraciones.	Inspeccione las válvulas. Limpie o reemplace según sea filtraciones necesario. Instale el Juego de válvulas.
	Acumulación de carbono sobre el o los pistones.	Limpie el o los pistones. Repare o reemplace según sea necesario.
	Cojinetes de bolas defectuosos en el cigüeñal o eje del motor de partida.	Inspeccione los cojinetes y reemplace el ensamblaje del cigüeñal si es necesario.
	Válvula de retención con filtraciones o asiento de la válvula fundido.	Reemplace la válvula de retención.
Demasiadas partidas y paradas	Filtraciones de aire en la tubería de descarga de aire.	Revise la tubería y las conexiones.
	Diferencial del disyuntor neumático demasiado estrecho.	Ajuste el disyuntor neumático para aumentar el diferencial si hay ajuste de diferencial. Instale un disyuntor neumático con característica de ajuste de diferencial, si se desea ajuste de diferencial.
	Válvula de retención con filtraciones o asiento de la válvula fundido.	Reemplace la válvula de retención.
	Condensación excesiva en tanque receptor.	Drene el tanque receptor con la válvula de drenaje manual.
Consumo alto de aceite	Entrada y/o filtro del tubo de descarga sucio o atascado.	Limpie o reemplace.
	Lubricante poco viscoso.	Drene el lubricante y vuelva a llenar con uno adecuado.
	Se está usando lubricante tipo detergente.	Drene el lubricante y vuelva a llenar con uno adecuado.
	Anillos del pistón dañados o gastados (rotos, rugosos o rayados). Espacio final o separación lateral excesiva.	Instale el Juego de anillos.
	Los anillos del pistón no están asentados, están pegados a las ranuras o los espacios finales no están escalonados.	Ajuste los anillos del pistón.
	Cilindros o pistones rayados, gastados o cortados.	Repare o reemplace según sea necesario.
	Cojinetes de la varilla de unión, pasador del pistón o del muñón gastados o cortados.	Inspeccione todo. Repare o reemplace según sea necesario.
	Retén del cigüeñal gastado o cigüeñal cortado.	Reemplace el retén o ensamblaje del cigüeñal.
	Capa superficial del cilindro desgastada.	Limpie el cilindro con flex-hone de 180 gránulos.
Golpea o tintinea	Rueda de la banda o polea del motor de partida sueltas, juego excesivo en el eje del motor o bandas de la transmisión sueltas.	Revise la tensión y alineación de la rueda de la banda, polea del motor de partida, cigüeñal, y banda de transmisión. Repare o reemplace según sea necesario.
	Válvulas del compresor rotas, carbonizadas, sueltas o con filtraciones.	Inspeccione las válvulas. Limpie o reemplaze según sea filtraciones necesario. Instale el Juego de válvulas.
	Acumulación de carbono sobre el o los pistones.	Limpie el o los pistones. Repare o reemplace según sea necesario.
	Cilindros o pistones rayados, gastados o cortados.	Repare o reemplaze según sea necesario.
	Cojinetes de la varilla de unión, pasador del pistón o del muñón gastados o cortados.	Inspeccione todo. Repare o reemplaze según sea necesario.
	Cojinetes de bolas defectuosos en el cigüeñal o eje del motor de partida.	Inspeccione los cojinetes y reemplaze el ensamblaje del cigüeñal si es necesario.

PROBLEMA	CAUSA POSIBLE	SOLUCIÓN POSIBLE
Lámparas destellantes o débiles durante la operación	Voltaje de línea incorrecta.	Revise el voltaje de línea y mejore según necesario. required. Comuníquese con un electricista.
	Cableado o panel de servicio demasiado pequeño.	Instale cableado o caja de servicio correctamente dimensionado. Comuníquese con un electricista.
	Contacto incorrecto de los terminales del motor o conexiones del arrancador.	Provee buen contacto de los terminales del motor o conexiones del arrancador.
	Calefactores incorrectos de sobrecarga del arrancador.	Instale calefactores correctos de sobrecarga del arrancador. Comuníquese con un electricista.
	Deficiente regulación de la potencia (línea desbalanceada).	Consulte a la compañía eléctrica.
Humedad en el cárter o apariencia "lechosa" en el lubricante de petróleo o herrumbre en los cilindros	Se está usando lubricante tipo detergente.	Drene el lubricante y vuelva a llenar con uno adecuado.
	Ciclos de operación muy cortos.	Opere el compresor con ciclos de operación más largos.
	Compresor ubicado en área húmeda o mojada.	Ubique el compresor en otra parte.
Sobrecarga del motor se desconecta o consume corriente excesivo.	Lubricante demasiado viscoso.	Drene el lubricante y vuelva a llenar con uno adecuado.
	Voltaje de línea incorrecta.	Revise el voltaje de línea y mejore según necesario. Comuníquese con un electricista.
	Cableado o panel de servicio demasiado pequeño.	Instale cableado o caja de servicio correctamente dimensionado. Comuníquese con un electricista.
	Contacto incorrecto de los terminales del motor o conexiones del arrancador.	Provee buen contacto de los terminales del motor o conexiones del arrancador.
	Calefactores incorrectos de sobrecarga del arrancador.	Instale calefactores correctos de sobrecarga del arrancador. Comuníquese con un electricista.
	Deficiente regulación de la potencia (línea desbalanceada).	Consulte a la compañía eléctrica.
	Bandas de transmisión muy apretadas o mal alineadas.	Ajuste las bandas a la tensión y alineación adecuadas.
	Válvulas del compresor rotas, carbonizadas, sueltas o con filtraciones.	Inspeccione las válvulas. Limpie o reemplace según sea necesario. Instale el Juego de válvulas.
	Cilindros o pistones rayados, gastados o cortados.	Repare o reemplace según sea necesario.
	Cojinetes de la varilla de unión, pasador del pistón o del muñon gastados o cortados.	Inspeccione todo. Repare o reemplace según sea necesario.
	Cojinetes de bolas defectuosos en el cigüeñal o eje del motor de partida.	Inspeccione los cojinetes y reemplace el ensamblaje del cigüeñal si es necesario.
	Válvula de retención con filtraciones o asiento de la válvula fundido.	Reemplace la válvula de retención.
	Temperatura ambiente demasiado baja.	Ubique el compresor en un ambiente más cálido. Instale juego calefactor del cárter. Convierta a lubricante sintético.
	Motor dañado.	Reemplace.
Motor no arranque	Voltaje de línea incorrecta.	Revise el voltaje de línea y mejore según necesario. Comuníquese con un electricista.
	Cableado o panel de servicio demasiado pequeño.	Instale cableado o caja de servicio correctamente dimensionado. Comuníquese con un electricista.
	Contacto incorrecto de los terminales del motor o conexiones del arrancador.	Provee buen contacto de los terminales del motor o conexiones del arrancador.
	Calefactores incorrectos de sobrecarga del arrancador.	Instale calefactores correctos de sobrecarga del arrancador. Comuníquese con un electricista.
	Motor dañado.	Reemplace.

PROBLEMA	CAUSA POSIBLE	SOLUCIÓN POSIBLE
Aceite en descarga de aire (bombeo de aceite)	Lubricante muy viscoso.	Drene el lubricante y vuelva a llenar con uno adecuado.
	Se está usando lubricante tipo detergente.	Drene el lubricante y vuelva a llenar con uno adecuado.
	Anillos del pistón dañados o gastados (rotos, rugosos o rayados). Espacio final o separación lateral excesiva.	Instale el Juego de anillos.
	Los anillos del pistón no están asentados, están pegados a las ranuras o los espacios finales no están escalonados.	Ajuste los anillos del pistón.
	Cilindros o pistones rayados, gastados o cortados.	Repare o reemplace según sea necesario.
	Capa superficial del cilindro desgastada.	Limpie el cilindro con flex-hone de 180 grnulos.
	Condensación excesiva en tanque receptor.	Drene el tanque receptor con la válvula de drenaje manual.
Escape de aceite del retén del eje	Retén del cigüeñal gastado o cigüeñal cortado.	Reemplace el retén o ensamblaje del cigüeñal.
La válvula de seguridad de descarga "salta"	Entrada y/o filtro del tubo de descarga sucio o atascado.	Limpie o reemplace.
	Válvulas del compresor rotas, carbonizadas, sueltas o con filtraciones.	Inspeccione las válvulas. Limpie o reemplace según sea necesario. Instale el Juego de válvulas.
	Válvula de seguridad/descarga defectuosa.	Reemplace

LISTA DE PIEZAS PARA MODELO SS3 BOMBA COMPRESORA SIN ACCESORIOS



Secuencia de anillos de pistón

Nº DE REF.	Nº OE PIEZA	DESCRIPCIÓN	CANT.
REF	97330419	BOMBA COMPRESORA SIN ACCESORIOS	-
1	32307092	CONJUNTO DE ANILLOS DE PISTÓN	2
2	NSS	• ANILLO DE COMPRESIÓN	1
3	NSS	• ANILLO RASCADOR	1
4	NSS	• ANILLO ESPACIADOR REGULADOR DE ACEITE	2
5	NSS	• ANILLO REGULADOR DE ACEITE	1
6	95033585	TAPÓN ROSCADO DE PURGA DEL ACEITE	1
7	96715784	TORNILLO DE CABEZA. MB X 55 (PERNO DE CULATA)	6
8	96716113	TORNILLO DE CABEZA. MS X 20 (PERNO DE CILINDRO)	4
9	96728316	ARANDELA DE MUELLE - M8	4
10	97330427	CONJUNTO DE BIELA	2
11	96702246	• TORNILLO DE CABEZA, M6 X 25	2
12	97338081	CONJUNTO DE CIGÜEÑAL, SERVICIO	1
13	NSS	• CIGÜEÑAL	1
14	NSS	• COJINETE PRINCIPAL	1
15	NSS	• COJINETE DE BOLAS	1
16	54375977	• ARANDELA, M8	1
17	54440045	• TORNILLO DE CABEZA, MB X 20-ROSCA IZQUIERDA	1
18	49812050	CONJUNTO DE TAPÓN ROSCADO PARA RELLENO DE LUBRICANTE	1
19	NSS	• TAPÓN ROSCADO PARA RELLENO DE LUBRICANTE	1
20	95024394	• JUNTA TÓRICA. TAPÓN ROSCADO PARA RELLENO DE LUBRICANTE	1
21	97330468	CONJUNTO DE PISTÓN Y PASADOR	2
22	NSS	• PISTÓN	1
23	NSS	• PASADOR DE PISTÓN	1
24	NSS	• ANILLO DE FIJACIÓN	2
<input type="checkbox"/> 25	97330484	CONJUNTO DE VÁLVULA	1
26	NSS	• PLATILLO DE VÁLVULA	1
27	NSS	• VÁLVULA DE DESCARGA	2
28	NSS	• VÁLVULA DE ADMISIÓN	2
29	NSS	• DETENEDOR DE DESCARGA	2
30	NSS	• RETÉN, ADMISIÓN	2
31	NSS	• TORNILLO DE CABEZA HEXAGONAL- M3 X 16	4
32	NSS	• TUERCA HEXAGONAL-M3 C/ARANDELA DE BLOQUEO	4
33	97330492	RUEDA DE POLEA	1
34	97330500	TORNILLO DE CABEZA, M6 X 14 (PERNOS DE TAPA EXTREMA)	3
35	97330625	CILINDRO	1
36	97338073	CONJUNTO DE TAPA EXTREMA-SERVICIO	1
37	32204521	• OBTURADOR PARA EJES	1
38	NSS	• TAPA EXTREMA	1
39	97331227	• EMPAQUETADURA, TAPA DE EXTREMA	1
40	97330641	BATIENTE, COMPRESOR	1
<input type="checkbox"/> 41	97330658	EMPAQUETADURA, PLATILLO DE VÁLVULA	1

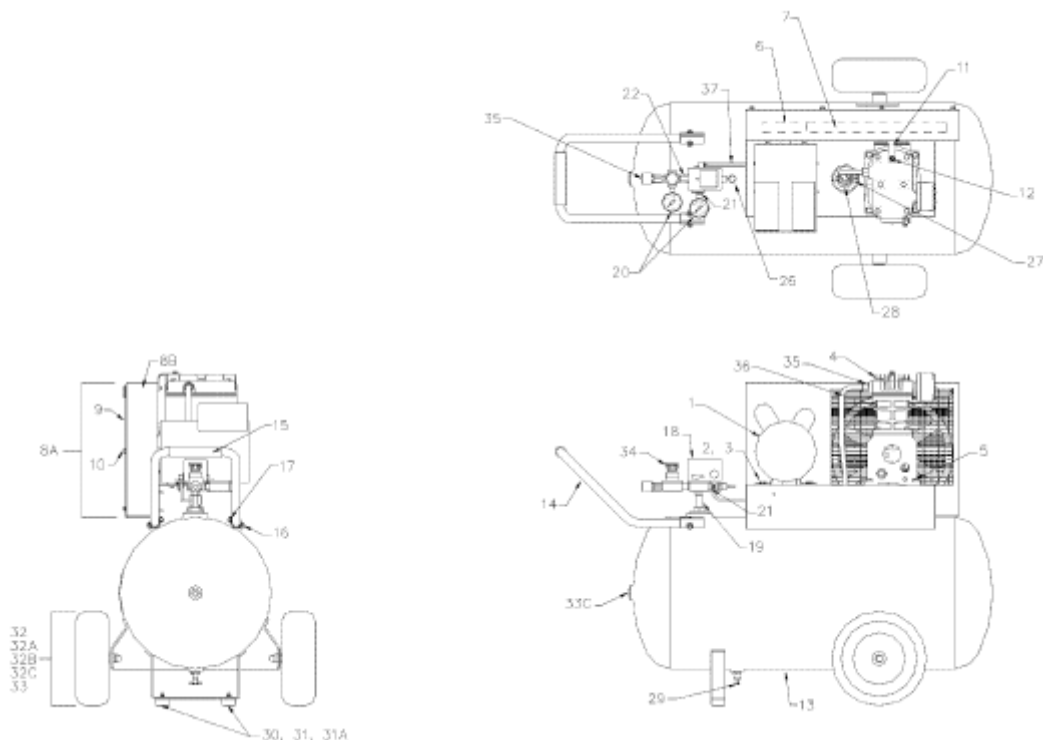
N° DE REF.	N° OE PIEZA	DESCRIPCIÓN	CANT.
* 42	97330666	EMPAQUETADURA, CILINDRO	1
□ 43	54571609	EMPADUETADURA DE CULATA	1
44	97330682	VISOR DE NIVEL	1
45	97330690	CULATA	1
46	70243936	CONJUNTO DE PURGA	1
47	70243399	FILTRO DE ENTRADA	1
NI	70243712	• ELEMENTO DEL FILTRO	1

NSS NO SE VENDE POR SEPARADO

□ DISPONIBLE INDIVIDUALMENTE OEN CONJUNTO DE VÁLVULA 97338107

* DISPONIBLE INDIVIDUALMENTE OEN CONJUNTO DE ANILLOS DE PISTÓN 97338115

LISTA DE PIEZAS PARA EL MODELO SS3F2-GM



NOTA: CORDÓN DE POTENCIA NO MOSTRADO.

■ GRUPO DEL MOTOR Y BOMBA SIN ACCESORIOS			
N° REF.	N° PIEZA	DESCRIPCIÓN	CANT.
1	54441456	MOTOR, 115 VOLTIOS C/CABLE	1
2	32164634	TORNILLO DE CABEZA, CABEZA DE ARANDELA DENTADA -5/16X3/4	4
3	39128558	TUERCA, CIERRE CENTRÍFUGO 0,31	4
4	97330419	SIN ACCESORIOS, SS3	1
5	971 70849	TORNILLO, LARGE DE 0,31 X 0,75 DE ROSCADO AUTOMÁTICO	4
6	54454913	ROLDANA	1
7	54454780	CORREA EN V, AX46- HENDIDURA DE RETENIDA	1
■ GRUPO DE GUARDABANDA			
N° REF.	N° PIEZA	DESCRIPCIÓN	CANT.
8A	20102562	ENSAMBLAJE, COMPLETO DE GUARDABANDA	1
8B	54459516	GUARDABANDA, PARTE POSTERIOR.	1
9	54459508	GUARDABANDA, PARTE ANTERIOR	1
10	97173595	TORNILLO, LARGE DE 0,25 X 0,50 DE ROSCADO AUTOMÁTICO	15
11	56269574	ABRAZADERA, GUARDABANDA	1
12	56280159	TORNILLO, LARGE DE, M6-1,0 X 12MM (DEVTELLADO)	1
■ GRUPO RECEPTOR			
N° REF.	N° PIEZA	DESCRIPCIÓN	CANT.
13	54478409	ESTANQUE, RECEPTOR	1
14	54480249	MANECILLA	1
15	54480223	ASIDERO, MANECILLA	1

16	58879461	TORNILLO, WHIZ-LOCK LARGO DE 0,31 X 1,50	2
17	39128558	TUERCA, WHIZ-LOCK DE 0,31	2
18	54441738	DISYUNTOR AUTOMÁTICO	1
19	95242582	NIPLE, LARGO DE 0,25 X 1,50	1
20	54454319	MANÓMETRO	2
21	97503023	CASQUILLO, REDUCTOR DE 0,25 X 0,13 (PARA MONTAR 20 & 26)	2
22	91896480	NIPLE, (PARA MONTAR EL REGULADOR)	1
NI	54441480	CORDÓN, POTENCIA	1
NI	97004030	CONNECTOR, CORDÓN (CONECTAR AL DISYUNTOR AUTOMÁTICO)	2
26	97171664	VÁLVULA, DE SEGURIDAD/DESCARGA	1
27	54381348	VÁLVULA, DE SEGURIDAD/DESCARGA	1
28	56269590	VÁLVULA, DE RETENCIÓN	1
29	32027120	VÁLVULA, DE DRENAJE MANUAL	1
30	97175343	ALMOHADILLA, AISLADORA	2
31	39128434	TORNILLO, WHIZ-LOCK LARGO DE, 0,25 X 1.00	2
31A	39128541	TUERCA, WHIZ-LOCK-1/4-20	2
32	47633135001	RUEDA, DIAMETRO DE 10,0 PULGADAS	2
32A	95958393	TORNILLO DE CABEZA, 1/2-18 X 3,5(PARA MONTAR LAS RUEDAS)	2
32B	95116877	TUERCA, AUTOBLOQUEO 1/2-13 (PARA MONTAR LAS RUEDAS)	2
32C	95937371	ARANDELA, PLANA, 1/2 D.I. (PARA MONTAR LAS RUEDAS)	2
33	20101929	EJE (PARA MONTAR LAS RUEDAS)	2
NI	32224537	ABRAZADERA, CABLE DEL MOTOR	1
NI	97173595	TORNILLO DE CABEZA, AUTOROSCADO-1/4-20 1/2 (PARA ABRAZADERA)	1
33C	95928255	TAMPON, ESTANQUE (NO INCLUIDO COMO PARTE DE ENSAMBLAJE DE ESTANQUE)	1
34	37992849	REGULADOR	1
35	32238354	SALIDA, DESCONEXIÓN RÁPIDA	1
■ GRUPO DE ACCESORIOS PARA TUBOS Y TUBOS			
Nº REF.	Nº PIEZA	DESCRIPCIÓN	QTY.
35	95083192	CONECTOR, TUBO 0,50 X N PT 0,38	1
36	54444500	TUBO, DESCARGA	1
37	54499116	TUBO, DISYUNTOR AUTOMÁTICO	1

CONJUNTOS Y ACCESORIOS

■ CONJUNTOS DE PUESTA EN MARCHA

Cada conjunto de puesta en marcha contiene suficiente lubricante sintético **Ingersoll-Rand** para compresores y elementos de filtros de aire para la puesta en marcha y el mantenimiento de su unidad para el primer año.

N° PIEZA	DESCRIPCIÓN
97338099	CONJUNTO, PUESTA EN MARCHA

■ LUBRICANTE SINTÉTICO INGERSOLL-RAND PARA COMPRESORES

N° PIEZA	DESCRIPCIÓN
97338131	LUBRICANTE, BOTELLA DE 0,5L
97338149	LUBRICANTE, PAQUETE DE 6 BOTELLAS DE 0,5L

■ ELEMENTO DE FILTRO DE AIRE

N° PIEZA	DESCRIPCIÓN
70243712	ELEMENTO, FILTRO DE AIRE

■ JUEGOS AHORRAPASOS

Los juegos ahorrapasos proporcionan todas las piezas que se necesitan para realizar reparaciones corrientes, como el reemplazo de anillos de pistón o el reemplazo de válvulas.

N° PIEZA	DESCRIPCIÓN	CONTENIDOS
97338107	JUEGO, VÁLVULA/ EMPAQUETADURA	Piezas que se desgastan en las válvulas y empaquetaduras de culata que se destruyen al reemplazar las piezas de las válvulas
97338115	JUEGO, ANILLO/ EMPAQUETADURA	Juego completo de anillos de pistón, un sello de cigüeñal y empaquetaduras que se destruyen al desarmar la unidad para reemplazar los anillos

■ JUEGOS DE CALEFACTOR DEL CÁRTER

Se recomienda usar calefactores del cárter cuando las temperaturas ambiente suelen estar por debajo de los 32°F (0°C). Un juego de calefactor externo del cárter, de fácil instalación, está destinado a su uso de postventa.

N° PIEZA	DESCRIPCIÓN
97330385	JUEGO, CALEFACTOR DEL CÁRTER

■ CONDUCTOS DE AIRE PARA VARIOS USOS

Estos ensamblajes de conductos de aire son conductos para cargas pesadas, livianos destinados para una presión efectiva de 300 PSIG

N° PIEZA	DESCRIPCIÓN
32323750	CONDUCTO, DE AIRE - 3/8" X 25' (NPT MACHO DE 1/4")
32323768	CONDUCTO, DE AIRE - 3/8" X 50' (NPT MACHO DE 1/4")
32323776	CONDUCTO, DE AIRE - 3/8" X 100' (NPT MACHO DE 1/4")

■ DEPURADORES EN Y

Los depuradores en Y son destinados para prevenir el movimiento de aguas abajo de las partículas extrañas

N° PIEZA	DESCRIPCIÓN
32323628	DEPURADOR EN Y, DE 1/4"
32323636	DEPURADOR EN Y, DE 1/2"

GARANTÍA Y LIMITACIÓN DE RESPONSABILIDAD

■ GARANTÍA

Ingersoll Rand Company garantiza que los equipos que fabrica y distribuye conforme a este documento estarán libres de defectos tanto en sus materiales como en su fabricación, durante un período de doce (12) meses desde la fecha en que los Equipos se ponen en operación o de dieciocho (18) meses desde el momento del embarque, lo que suceda primero. Este período de garantía se aplicará a todos los Equipos, salvo los siguientes:

1. Los compresores que operen exclusivamente con el Lubricante Sintético Ingersoll-para compresores, tendrán una garantía sobre el compresor sin accesorios de veinticuatro (24) meses desde la fecha de inicio de las operaciones o de treinta (30) meses desde la fecha de embarque, lo que ocurra primero.
2. Los repuestos tendrán una garantía de seis (6) meses desde la fecha de embarque.

Si dentro de dicho período se informa por escrito a la Compañía de algún tipo de incumplimiento de las condiciones de esta Garantía, la Compañía a su discreción, corregirá dicho incumplimiento reparando el Equipo en forma apropiada o proporcionará un reemplazo F.O.B. en el punto de embarque, siempre y cuando el comprador haya instalado, mantenido y operado dicho Equipo en conformidad con prácticas industriales correctas y haya cumplido con las recomendaciones específicas de la Compañía. Los accesorios o equipos provistos por la Compañía pero fabricados por otros mantendrán todas las garantía traspasadas a **Ingersoll Rand** Company por su fabricante y que puedan ser transferidas al Comprador. La Compañía no se hará responsable de reparaciones, reemplazos o ajustes a los Equipos o de ningún tipo de costo por mano de obra en que incurra el Comprador que no cuenten con la previa autorización por escrito de la Compañía.

La Compañía no otorga ningún tipo de garantía de buena ejecución, a menos que se estipule específicamente dentro de sus propuestas, y esta Garantía excluye específicamente los efectos de la corrosión, erosión y el desgaste normal. En aquellos casos donde expresamente se incluyan garantías de buena ejecución, la obligación de la Compañía será efectuar correcciones en la manera y durante el plazo estipulado más arriba.

LA COMPAÑÍA NO HACE NINGÚN OTRO TIPO DE DECLARACIÓN, EXPRESA O IMPLÍCITA, SALVO AQUELLA DE PROPIEDAD Y POR ESTE MEDIO SE DECLINAN TODAS LAS GARANTÍAS IMPLÍCITAS DE COMERCIALIZACIÓN Y APTITUD PARA UN FIN EN PARTICULAR.

La corrección de los incumplimientos de la Compañía, sean patentes o latentes, en la forma y durante el plazo estipulado más arriba, deberán cumplimiento de todas las responsabilidades de la Compañía y sus Distribuidores, para aquellos incumplimientos respecto a o que surjan de dichos Equipos.

■ LIMITACIÓN DE RESPONSABILIDADES

LOS RECURSOS DEL COMPRADOR ESTIPULADOS EN ESTE DOCUMENTO SON EXCLUSIVOS Y LA RESPONSABILIDAD TOTAL DE LA COMPAÑÍA, SUS DISTRIBUIDORES Y PROVEEDORES, CON RESPECTO AL CONTRATO O EQUIPOS Y SERVICIOS PROVISTOS, EN RELACIÓN CON LA EJECUCIÓN O SU FALTA DE CUMPLIMIENTO O QUE SURJAN DE LA FABRICACIÓN, VENTA, ENTREGA, INSTALACIÓN, REPARACIÓN O DIRECCIÓN TÉCNICA CUBIERTA O PROVISTA BAJO UN CONTRATO, YA SEA QUE SE BASEN EN UN CONTRATO, GARANTÍA, NEGLIGENCIA, INDEMNIDAD, RESPONSABILIDAD LIMITADA U OTRO, NO PODRÁN EXCEDER EL PRECIO DE COMPRA DE LA UNIDAD O EQUIPO EN LOS CUALES SE BASA DICHA RESPONSABILIDAD.

LA COMPAÑÍA, SUS DISTRIBUIDORES Y SUS PROVEEDORES NO SERÁN RESPONSABLES BAJO CIRCUNSTANCIA ALGUNA ANTE EL COMPRADOR, ALGÚN SUCESOR O BENEFICIARIO O CESIONARIO DEL CONTRATO, POR EVENTUALES DAÑOS INDIRECTO, ACCIDENTALES EMERGENTES, ESPECIALES O PUNITORIO QUE SURJA DE ESTE CONTRATO O DE CUALQUIER INCUMPLIMIENTO DE ÉL, O DE CUALQUIER DEFECTO, FALLA O MAL FUNCIONAMIENTO DEL EQUIPO, SE OCASIONEN DICHOS DAÑOS O NO EN LA FALTA DE USO, LA PÉRDIDA DE INGRESOS O UTILIDADES, INTERESES, PÉRDIDA DE PLUSVALIA, CESE DE TAREAS, DAÑO SOBRE OTROS BIENES, PÉRDIDAS PRODUCTO DEL CIERRE O LA FALTA DE FUNCIONAMIENTO, ALIMENTO EN LOS COSTOS DE OPERACIÓN, COSTO DE LA COMPRA DE ENERGÍA DE REEMPLAZO O RECLAMOS DE LOS COMPRADORES O CLIENTES DEL COMPRADOR POR LA INTERRUPCIÓN DEL SERVICIO, SE ORIGINE DICHA PERDIDA O DANO O NO EN EL CONTRATO, GARANTÍA, NEGLIGENCIA, INDEMNIZACIÓN, RESPONSABILIDAD ABSOLUTA U OTRO.



A series of horizontal lines spanning the width of the page, providing a template for writing.



A series of horizontal lines spanning the width of the page, providing a template for writing. The lines are evenly spaced and extend from the left margin to the right edge of the page.



A series of horizontal lines spanning the width of the page, intended for writing or drawing.





SS3F2-GM

Manuel du propriétaire avec liste des pièces

FR Manuel du propriétaire avec liste des pièces



Veillez conserver ces instructions




IR *Ingersoll Rand*[®]

CONTENIDO

SÉCURITÉ	3	LISTE DE PIÈCES POUR LE MODÈLE SS3F2-GM	17
DÉFINITIONS	3	TROUSSES ET ACCESSOIRES	19
PRÉCAUTIONS DE SÉCURITÉ GÉNÉRALES	3	TROUSSE DE DÉMARRAGE	19
INFORMATIONS GÉNÉRALES	3	LUBRIFIANT SYNTHÉTIQUE INGERSOLL-RAND POUR	
PRÉPARATION POUR L'UTILISATION	4	COMPRESSEURS	19
TRANSPORTATION DU COMPRESSEUR	4	ELEMENT DE FILTRE D'AIR	19
SÉLECTION DE L'ENDROIT	4	TROUSSES D'ENTRETIEN RAPIDE	19
OPÉRATION	7	TROUSSE DE CHAUFFAGE DU CARTER PRINCIPAL	19
GÉNÉRALITÉS	7	TUYAUX D'AIR À FONCTION MULTIPLE	19
DÉMARRAGE NORMAL	7	FILTRES EN Y	19
ARRÊT	7	GARANTIE ET LIMITATION DE RESPONSABILITÉ	20
ENTRETIEN	8	GARANTIE	20
REPLACEMENT DU FILTRE	8	LIMITATION DE RESPONSABILITÉ	20
VIDANGE DE L'HUILE DE LA POMPE DU COMPRESSEUR	9		
DÉPANNAGE	10		
LISTE DE PIÈCES POUR COMPRESSEUR NU,			
MODÈLE SS3	14		

SÉCURITÉ

■ DÉFINITIONS

 DANGER	OCCASIONNERA la MORT, des BLESSURES SÉVÉRÉS ou des dégâts matériels considérables.
 AVERTISSEMENT	POURRA occasionner la MORT, des BLESSURES SÉVÉRÉS ou des dégâts matériels considérables.
 ATTENTION	OCCASIONNERA ou POURRA occasionner des BLESSURES MINEURES OU des dégâts matériels.

■ PRÉCAUTIONS DE SÉCURITÉ GÉNÉRALES

DANGER

AIR D'ADMISSION. Peut contenir du monoxyde de carbone ou d'autres contaminants. Cause des blessures ou la mort. Les compresseurs Ingersoll Rand n'ont été conçus, ni destinés, ni approuvés pour la compression d'air respirable. L'air comprimé ne doit être utilisé pour la respiration au moins qu'il ait été traité d'après les normes et règlement en vigueur pour cette application.

AVERTISSEMENT

TENSION DANGEREUSE. Elle peut causer des blessures graves ou la mort. Débrancher l'alimentation avant réparer. Verrouiller/étiqueter la machine. Le compresseur doit être branché sur un circuit correctement mis à la terre. Reportez-vous aux instructions de la mise à terre dans ce manuel. Ne pas faire fonctionner le compresseur dans des conditions humides. Stocker à l'intérieur.

PIÈCES TOURNANTES. Peut causer des blessures graves. Ne pas opérer sans protections. La machine peut commencer automatiquement. Débrancher avant le service. Verrouiller/étiqueter la machine.

SURFACE CHAUDE. Peut causer des blessures graves. Ne pas toucher. Attendre le refroidissement avant de réparer. Ne pas toucher le compresseur ou la tuyauterie chaude.

AIR SOUS PRESSION ÉLEVÉE. Le contournement, la modification ou le retrait de soupapes de sécurité/détente peut causer des blessures graves ou la mort. Ne pas contourner, modifier ou retirer les soupapes de sécurité/décharge. Ne pas diriger les ajutages d'air sur une personne. Les réservoirs corrodés peuvent occasionner une explosion et des blessures graves ou la mort. Vidanger le réservoir quotidiennement ou après chaque utilisation. La soupape de vidange se trouve au fond du réservoir.

ATTENTION

RISQUE DE DÉLIASSAGE. Utiliser seulement des pièces à manipulation d'air acceptable pour des pressions inférieures à la pression maximale de fonctionnement consentie par la machine.

INFORMATIONS GÉNÉRALES

Votre compresseur d'air est approprié pour l'emploi d'outils à air, pistolets de calfatage, pistolets graisseurs, sableuses, etc. Selon votre application, les accessoires suivants sont requis :

- Un régulateur de la pression d'air pour ajuster la pression d'air admis à l'outil ou l'accessoire.
- Un filtre de la ligne d'air pour l'élimination de l'humidité et la vapeur d'huile dans l'air comprimé.

- Un graisseur en ligne pour prolonger la vie des outils pneumatiques.
- Des transformateurs à air séparés combinant les fonctions de régulation d'air et/ou d'élimination de l'humidité et saleté.

Veillez communiquer avec votre distributeur ou appeler le 1-800-AIR-SERV pour plus d'informations sur les outils pneumatiques et accessoires pour votre application.

PRÉPARATION POUR L'UTILISATION

■ TRANSPORTATION DU COMPRESSEUR

⚠ ATTENTION

Les roues et la manette ne donnent pas un espacement, une stabilité et support pour tirer le compresseur en haut et en bas d'un escalier ou des marches. Le compresseur doit être élevé ou poussé sur une rampe. Ne pas enlever l'unité avec la manette.

■ SÉLECTION DE L'ENDROIT

GÉNÉRALITÉS Choisir un endroit bien éclairé, sec et propre avec beaucoup d'espace de manière à assurer un accès facile aussi bien qu'une ventilation et circulation d'air suffisante pour le refroidissement. Placer l'unité sur une surface plate solide au moins 12 pouces (30 cm) de parois. S'assurer que le compresseur est proprement nivelé.

TEMPÉRATURE La température de marche idéale se situe entre 0 °C et 37,8 °C (32 °F et 100 °F). Pour des températures plus bas, les soupapes de sécurité/décharge et les purgeurs doivent être protégés contre la congélation.

⚠ ATTENTION

Ne pas faire fonctionner l'appareil à une température inférieure à -6,6 °C (20 °F) ou supérieure à 51,0 °C (125 °F).

LIEUX HUMIDES Dans un lieu qui est souvent humide, il est possible que de l'humidité se forme dans la pompe nue, entraînant la formation de boues dans le lubrifiant et l'usure prématurée des pièces mobiles. Une quantité excessive d'humidité aura tendance à se former si le compresseur est situé dans un lieu non chauffé qui est exposé à de grandes variations de température. Voici deux signes d'humidité excessive : la formation de condensation sur la paroi extérieure du compresseur qui refroidit et un lubrifiant à base de pétrole dont l'aspect est laiteux. Vous pouvez empêcher la formation d'humidité dans la pompe par la augmentation de la ventilation ou des intervalles de fonctionnement.

CONSIDÉRATIONS EN MATIÈRE DE BRUIT Pour connaître la réglementation en vigueur concernant les niveaux de bruit, consulter les autorités locales. Pour réduire le bruit excessif, utiliser des amortisseurs de vibrations ou un silencieux d'aspiration, déplacer le compresseur ou construire des enceintes totales ou des murs déflecteurs. Communiquez avec votre distributeur pour obtenir d'assistance.

■ INSTALLATION DU FILTRE D'ASPIRATION

⚠ ATTENTION

Ne pas utiliser l'appareil sans filtre d'aspiration.

Installer le filtre d'aspiration à la connexion d'entrée de la pompe nue. Lorsqu'une filtration de grande puissance est requise, communiquez avec votre distributeur pour obtenir des informations.

■ INSTALLATION DE LA CANALISATION DE REFOULEMENT

Pour l'installation de canalisations de refoulement d'air et de condensat, observer les suivantes lignes guides générales. Communiquer avec votre distributeur pour des informations additionnelles.

⚠ AVERTISSEMENT

Si un refroidisseur secondaire, un clapet antiretour, un robinet de sectionnement ou toute autre restriction est ajoutée au circuit de refoulement du condensat, installer entre cette restriction et le compresseur une soupape de sûreté/décharge homologuée ASME ayant les dimensions qui conviennent.

⚠ ATTENTION

Si le lubrifiant utilisé était du Lubrifiant synthétique pour compresseur Ingersoll-Rand la tuyauterie et les composants en aval du circuit doivent être composés d'un matériau compatible. Se reporter à la liste de matériaux compatibles ci-dessous. Si votre système contient des matériaux incompatibles, ou pour des matériaux non inclus dans la liste, communiquez avec votre distributeur.

Acceptable:

Viton®, Teflon®, époxydes (chargés à la fibre de verre), alkydes résistants aux huiles, fluorosilicones, hydrocarbures fluorés, polysulfides, uréthanes à 2 composants, nylon, Delrin®, Celcon®, caoutchoucs 8 forte teneur en nitrile (contenant plus de 36 % d'acrylonitrile), polyuréthane, polyéthylène, épichlorhydrine, polyacrylate, mélamine, polypropylène, résines phénoliques cuites, époxydes, alkydes modifiés (® Marque déposée de DuPont Corporation)

Non recommandés

Néoprène, caoutchouc naturel, caoutchouc SBR, peintures acryliques, laques, vernis, polystyrène, CPV (PVC), ABS, polycarbonates, acétate de cellulose, caoutchoucs à faible teneur en nitrile (contenant moins de 36 % d'acrylonitrile), EPDM, acétate de vinyle et d'éthylène, latex, caoutchoucs éthylène-propylène (EPR), acryliques, résines phénoxy, polysulfones (PSF), styrène-acrylonitrile, butyle

GÉNÉRALITÉS-La tuyauterie, les raccords, le réservoir, etc. doivent être homologués pour fonctionner à la pression maximale de fonctionnement de l'unité. Utiliser des tubes d'acier ou de cuivre à filetage ou à soudage fort, des ferrures en fonte et des tuyaux dont l'homologation convient à la pression et à la température de décharge du compresseur. NE PAS UTILISER DE TUBES OU DE RACCORDS EN PLASTIQUE CPV (PVC). Utiliser un calfeutrage de filets sur toute la tuyauterie et bien serrer les joints afin de prévenir toute fuite d'air.

CANALISATIONS DE REFOULEMENT DU CONDENSAT-

Si une canalisation de refoulement du condensat doit être installée, s'assurer que le diamètre de ses tuyaux est supérieur à celui du raccord d'au moins une catégorie, que

son circuit est le plus court et le plus direct possible, qu'elle est fixée solidement en place et qu'elle est dirigée vers un point de purge convenable. Le condensat doit être éliminé en conformité avec les lois et règlements en vigueur au niveau municipal, provincial et fédéral.

REMARQUE : Tous les systèmes à air comprimé produisent du condensat s'accumulant dans une pointe de décharge (p. ex. réservoirs, filtres, branches d'égouttage, radiateurs secondaires, sécheurs). Ce condensat contient d'huile lubrifiant et/ou des substances réglementées qui doivent être enlevés selon les lois et les règlements municipaux, provinciaux et fédéraux.

■ CÂBLAGE ÉLECTRIQUE ET MISE À TERRE

⚠ AVERTISSEMENT

L'installation et les révisions du circuit électrique doivent être effectuées par un électricien agréé qui connaît les lois et les règlements municipaux, provinciaux et fédéraux qui sont en vigueur.

AVIS

Cet unité doit être connectée à une système de câblage permanente, métallique, mise à la terre, ou une borne pour la mise à terre d'équipement ou un conducteur sur le système.

GÉNÉRALITÉS - Les caractéristiques nominales du moteur, indiquées sur la plaquette signalétique, et l'alimentation électrique doivent correspondre aux caractéristiques de la tension, des phases et des cycles.

CALIBRE DES FILS - Le câblage reliant l'alimentation électrique et le moteur varie en fonction de la puissance du moteur (HP). Les fils conducteurs doivent avoir le calibre requis pour prévenir une chute excessive de la tension au démarrage. Des renseignements concernant le choix du calibre des fils et l'assujettissement des raccordements devraient vous avoir été fournis avec le moteur. Sinon, se reporter à la Code nationale d'électricité (NEC) ou aux règlements municipaux, provinciaux et fédéraux applicables. Si d'autres équipements électriques sont raccordés sur le même circuit que le compresseur, il faut prendre en considération la charge électrique totale lors de la sélection du calibre des fils, NE PAS UTILISER DE FILS TROP PETITS.

FUSIBLES - Se reporter au Code national de l'électricité afin de déterminer les caractéristiques nominales requises du fusible ou du disjoncteur. Au moment de choisir les fusibles, prendre en compte le fait que le courant de pointe lors du démarrage d'un moteur électrique soit supérieur au courant à pleine charge. L'usage de fusibles à retardement ou à fusion temporisée est recommandé.

MISE À TERRE - Le compresseur est fourni d'un cordon de puissance avec un fil de terre et une fiche de prise de terre appropriée. La fiche doit être utilisée avec une prise installée et mise à terre selon toutes les réglementations et codes locaux. La configuration de la prise doit être identique à celle de la fiche. NE PAS UTILISER UN ADAPTATEUR.

⚠ AVERTISSEMENT

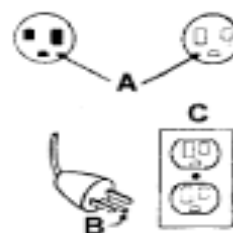
Dans le cas d'une secousse en fournissant une sortie pour le courant électrique on réduit le risque de choc. Le compresseur doit être mis à la terre correctement.

⚠ DANGER

L'installation incorrecte de la fiche de mise à terre peut provoquer un risque de choc électrique. Si le cordon ou la fiche devront être réparés ou remplacés, ne pas connecter le fil de terre à n'importe quel terminal à lame plate. Le conducteur avec isolation avec une surface verte avec ou sans bandes jaunes est le fil à terre.

Consultez un électricien ou le personnel de service qualifié si les instructions de la mise à terre ne seront pas complètement comprises ou dans le cas de doute que le compresseur est correctement mis à terre. Ne pas modifier la fiche fournie, dans le cas la fiche n'emboîte pas dans la prise; une prise adéquate doit être installée par un électricien qualifié.

Ce produit est pour utilisation sur un circuit de 120 volts nominaux et contient une fiche de mise à terre illustrée ci-dessous. S'assurer que le produit est connecté à une prise avec la même configuration que la fiche. Ne pas utiliser un adaptateur avec ce produit,



A=Terre

B=Lamelle de masse

C=Prise

CÂBLES PROLONGATEURS - Utilisez des tuyaux d'air plus longues au lieu de câbles prolongateurs pour éviter une chute de tension ou perte de puissance du moteur, et pour empêcher surchauffage. Les critères suivants s'appliquent si un câble prolongateur doit être utilisé:

- Câble à trois fils avec une fiche de terre à trois lames, et une prise à trois fentes pour insérer la fiche dans le compresseur.
- Condition appropriée
- Longueur maximale 50 pieds.
- Calibre 12 au plus large,

AVIS

La dimension du fil augmente avec la diminution du nombre de calibre. Par exemple, les fils 10 AWG et 8 AWG sont acceptables, mais 14 ou 16 AWG NE le sont PAS.

■ LUBRIFICATION DU COMPRESSEUR

⚠ ATTENTION

Ne pas faire fonctionner le compresseur sans lubrifiant ou avec un lubrifiant qui ne convient pas. Ingersoll-Rand décline toute responsabilité pour les pannes du compresseur causées par une lubrification inadéquate.

LUBRIFIANT SYNTHÉTIQUE- Nous recommandons d'utiliser le lubrifiant synthétique Ingersoll-Rand pour compresseurs des la mise en marche. Pour de plus amples renseignements concernant la garantie prolongée, se reporter à la section GARANTIE.

LUBRIFIANTS DE RECHANGE - On peut utiliser un lubrifiant à base de pétrole à condition qu'il soit de qualité supérieure, qu'il ne contienne aucun détergent, qu'il contienne comme additifs seulement des agents antirouille, antioxydants et antimousse, que son point d'éclair soit de 227 °C (440 °F) ou plus et que sa température d'inflammation spontanée soit de 343 °C (650 °F) ou plus.

Se reporter ci-dessous au tableau de viscosité des lubrifiants à base de pétrole. Il est fourni exclusivement à titre d'information. Des conditions de marche rigoureuses nécessitent une viscosité plus élevée. Pour obtenir des recommandations, discuter avec le distributeur des conditions réelles de fonctionnement.

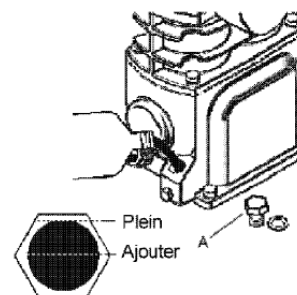
Température autour du compresseur		Viscosité à 100°F (37,8°C)		Catégorie de viscosité	
°F	°C	SUS	Centistokes	ISO	SAE
40 et moins	4,4 et moins	150	32	32	10
40 - 80	4,4 - 26,7	500	110	100	30
80 - 125	26,7 - 51,0	750	165	150	40

Si, après avoir utilisé un lubrifiant pour compresseur à base de pétrole depuis la mise en marche, il est décidé de passer au lubrifiant synthétique Ingersoll-Rand pour compresseurs alors il faudra décarboniser les soupapes du compresseur à fond et il faudra rincer le carter avant d'effectuer la conversion.

■ PROCÉDURES POUR LE REMPLISSAGE DE LA POMPE DU COMPRESSEUR:

1. Dévisser et enlever le bouchon du réservoir à huile (A).
2. Remplir le carter lentement avec le lubrifiant, jusqu'à ce que le lubrifiant atteigne le filet supérieur de l'ouverture pour remplissage d'huile et le sommet du voyant. La capacité du carter principal est 0,5 litres (une (1) pinte).
3. Refermer le bouchon d'huile et le SERRER SEULEMENT AVEC LES DOIGTS.

Procédures de remplissage



OPÉRATION

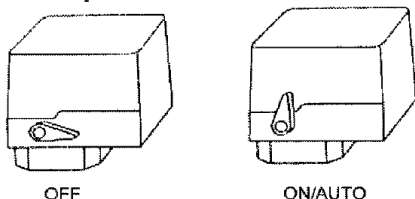
■ GÉNÉRALITÉS

Ce compresseur d'air est conçu pour un service continu de 100% en utilisant le lubrifiant synthétique **Ingersoll-Rand** pour compresseurs et pour un service continu de 60% en utilisant un lubrifiant à base de pétrole. L'utilisation d'un lubrifiant synthétique permet le compresseur de pomper continuellement sans cyclage. Un lubrifiant à base de pétrole limite le compresseur à un maximum de 36 minutes de pompage par heure. La limite de cyclage de la pompe est 10 cycles par heure.

■ DÉMARRAGE NORMAL

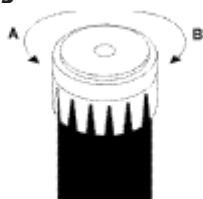
1. Mettre le levier du pressostat dans la position "OFF".

Palier du pressostat



2. Fermer le régulateur à soupape de service en retirant le cadran d'ajustage et le tournant dans le sens inverse horaire (A). Enfoncer le cadran si le bouton ne tourne plus.

Régulateur



3. Connecter le tuyau et les accessoires.
4. Mettre le levier du pressostat dans la position "ON/AUTO". Le compresseur se démarre.

5. Laisser augmenter la pression dans le réservoir. Le moteur s'arrêtera quand la pression dans le réservoir atteint la pression de disjonction.
6. Ajuster le régulateur à la pression secondaire voulue en retirant le cadran d'ajustage et le tournant dans le sens horaire (B) pour augmenter la pression ou dans le sens inverse horaire (A) pour diminuer la pression. Enfoncer le cadran quand la pression voulue est établie. Le compresseur est prêt pour l'utilisation.

AVIS

Si la pression du réservoir se diminue au-dessous du minimum préétabli en usine, le pressostat se remet à zéro et relance le compresseur.

■ ARRÊT

1. Mettre le levier du pressostat dans la position "OFF".
2. Fermer la soupape de service complètement.
3. Déconnecter l'outil pneumatique ou l'accessoire.
4. Ouvrir lentement la soupape de service pour purger la pression d'air jusqu'à 20 psig.
5. Ouvrir lentement le purgeur manuel au fond du réservoir pour vidanger tout condensat (eau).
6. Fermer la soupape de vidange et la soupape de service pour l'utilisation future.
7. Enrouler le crochon d'alimentation solidement autour le maneton.
8. Entreposer l'unité à l'intérieur.

ENTRETIEN

AVERTISSEMENT

Débrancher le compresseur et purger la pression d'air avant d'effectuer l'entretien.

AVIS

Tous les systèmes d'air comprimé comportent des éléments (par ex. l'huile lubrifiante, les filtres, les séparateurs) qui sont remplacés périodiquement. Ces éléments peuvent être ou peuvent contenir des substances réglementées qui doivent être éliminées en conformité avec les lois et les règlements en vigueur au niveau municipal, provincial et fédéral.

AVIS

Lors du démontage, prendre note de la position et de l'orientation des pièces afin de faciliter leur assemblage éventuel. Les séquences d'assemblage ainsi que les pièces figurant dans les illustrations peuvent ne pas correspondre à votre appareil.

AVIS

Référez-vous au manuel de l'utilisateur pour les calendriers et les procédures d'entretien.

AVIS

Tout entretien ne figurant pas dans la présente section doit être effectué par un agent d'entretien autorisé.

■ CALENDRIER POUR L'ENTRETIEN DE ROUTINE

Tous les jours ou avant chaque mise en marche	<ul style="list-style-type: none"> vérifier le niveau de lubrifiant Remplir au besoin. Vidanger le réservoir de condensat. Ouvrir le purgeur manuel, capter le condensat et l'éliminer de la manière appropriée. vérifier si l'appareil émet un bruit ou des vibrations inhabituels. S'assurer que les carters de courroies et autres sont fixés solidement en place. S'assurer que l'espace autour du compresseur ne comporte pas de chiffons, d'outils, de débris et de matières inflammables ou explosives.
Une fois par semaine	<ul style="list-style-type: none"> Inspecter les éléments filtrants du filtre d'aspiration. Les nettoyer au besoin.

Une fois par mois	<ul style="list-style-type: none"> vérifier s'il y a des fuites d'air. Asperger de l'eau savonneuse autour des joints pendant que le compresseur est en marche et vérifier si des bulles se forment S'assurer que les vis et les boulons sont bien serrés. Les serrer au besoin. Nettoyer l'extérieur.
3/500 *	<ul style="list-style-type: none"> Vidanger le lubrifiant à base de pétrole pendant que le carter principal est encore tiède.
12/2000 *	<ul style="list-style-type: none"> Vidanger le lubrifiant synthétique pendant que le carter principal est encore tiède. Remplacer l'élément filtrant.

* indique le nombre de mois ou d'heures de fonctionnement, selon la première éventualité.

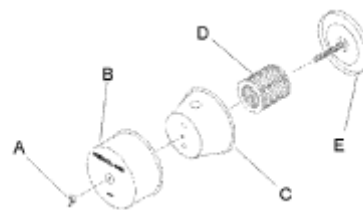
■ REMPLACEMENT DU FILTRE.

- Dévisser et retirer l'écrou à ailettes (A).
- Retirer le capot du filtre (B), déflecteur (C) et l'élément filtrant (D) de la base (E).
- Installer un nouvel élément et remonter l'assemblage du filtre.

AVIS

Les trous d'aspiration dans le déflecteur et le capot doivent être décalés à 180°. Pendant l'installation de l'assemblage à la connexion d'aspiration, s'assurer que le trou dans le capot est à bas afin de minimiser l'entrées d'impuretés de l'air.

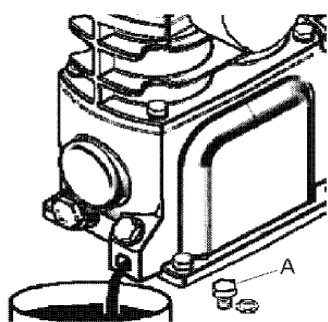
■ Remplacement du filtre



VIDANGE D'HUILE DE LA POMPE DU COMPRESSEUR

- Ouvrir le bouchon de vidange d'huile (A) et laisser le lubrifiant s'écouler dans un contenant propre.
- Refermer le bouchon de vidange d'huile.
- Suivre les directives de remplissage de la section MODE D'EMPLOI.

■ VIDANGE DE L'HUILE DE TA POMPE DU COMPRESSEUR



■ AJUSTEMENT DE LA COURROIE

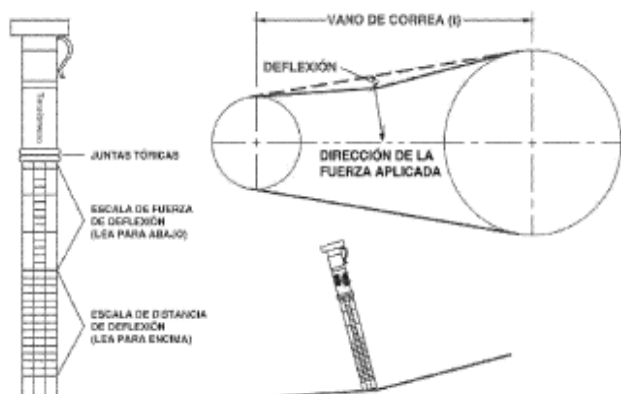
VÉRIFICATION DE LA TENSION - vérifier occasionnellement la tension de la courroie, particulièrement si elle semble lâche. Pour une vérification rapide, observer si le brin mou de la courroie est légèrement arqué lorsque l'appareil est en marche. Si c'est le cas, alors l'ajustement de la courroie est généralement adéquat

TENSIONNEMENT D'UNE COURROIE - On tensionne la courroie en dévissant les boulons d'ancrage du moteur, puis en écartant le moteur de la pompe en le glissant le long de la base, pour ensuite serrer à nouveau les boulons. Le moteur se déplace facilement en plaçant un levier dessous. Si le tensionnement s'avérait nécessaire, on peut aussi employer un écarteur disponible dans le commerce ou tout autre dispositif de tensionnement pour courroies.

Suivre la procédure ci-dessous pour régler et mesurer correctement la tension de la courroie.

1. Déposer une règle le long de la surface supérieure et extérieure de la courroie, entre la poulie motrice et le volant
2. À mi-chemin entre les deux et perpendiculairement à la courroie, jauger la pression à la surface extérieure de la courroie en y appuyant un dynamomètre de tension. Faire fléchir la courroie à la distance figurant au tableau. Comparer la tension lue sur l'instrument à celle qui figure au tableau.

Déflexion (pouces)	Tension min.	Tension max.
0,17	3,0	6,0



AVIS

Avant de faire démarrer le compresseur, assurer l'alignement exact du centre des rainures de la poulie motrice et du volant ainsi que le serrage des boulons d'ancrage du moteur.

⚠ ATTENTION

Un alignement incorrect de la poulie et du volant ou un tensionnement inadéquat de la courroie pourrait entraîner une surcharge du moteur, des vibrations excessives et un bris prématuré de la courroie ou du palier.

Afin de prévenir ces problèmes, s'assurer, après avoir installé une nouvelle courroie ou tensionné une courroie existante, que la poulie et le volant sont bien alignés et que la tension de la courroie est adéquate.

INSPECTION DU RÉSERVOIR

La longévité du réservoir accumulateur d'air dépend de plusieurs facteurs, y compris, sans s'y restreindre, les conditions d'exploitation, le milieu ambiant et le niveau d'entretien. L'effet exact propre à chacun de ces facteurs est difficile à juger ; voilà pourquoi **Ingersoll Rand** vous recommande de prévoir une inspection agréée du réservoir dans les cinq premières années de service du compresseur. Pour commander une inspection du réservoir accumulateur, communiquer avec le centre IR ou le distributeur de votre région ou composer le 1800AIR SERV.

Un réservoir qui n'a pas subi d'inspection au cours des 10 premières années de service du compresseur doit être retirée du service jusqu'à ce qu'il ait été inspecté. Un réservoir qui ne répond pas aux normes doit être remplacé.

⚠ AVERTISSEMENT

Si un réservoir accumulateur rouille n'est pas remplacé, il risque d'éclater ou d'exploser, entraînant la possibilité de dommages importants, de blessures graves ou même la mort. Ne jamais modifier ou réparer un réservoir : obtenir un réservoir de rechange dans un centre de service.

DÉPANNAGE

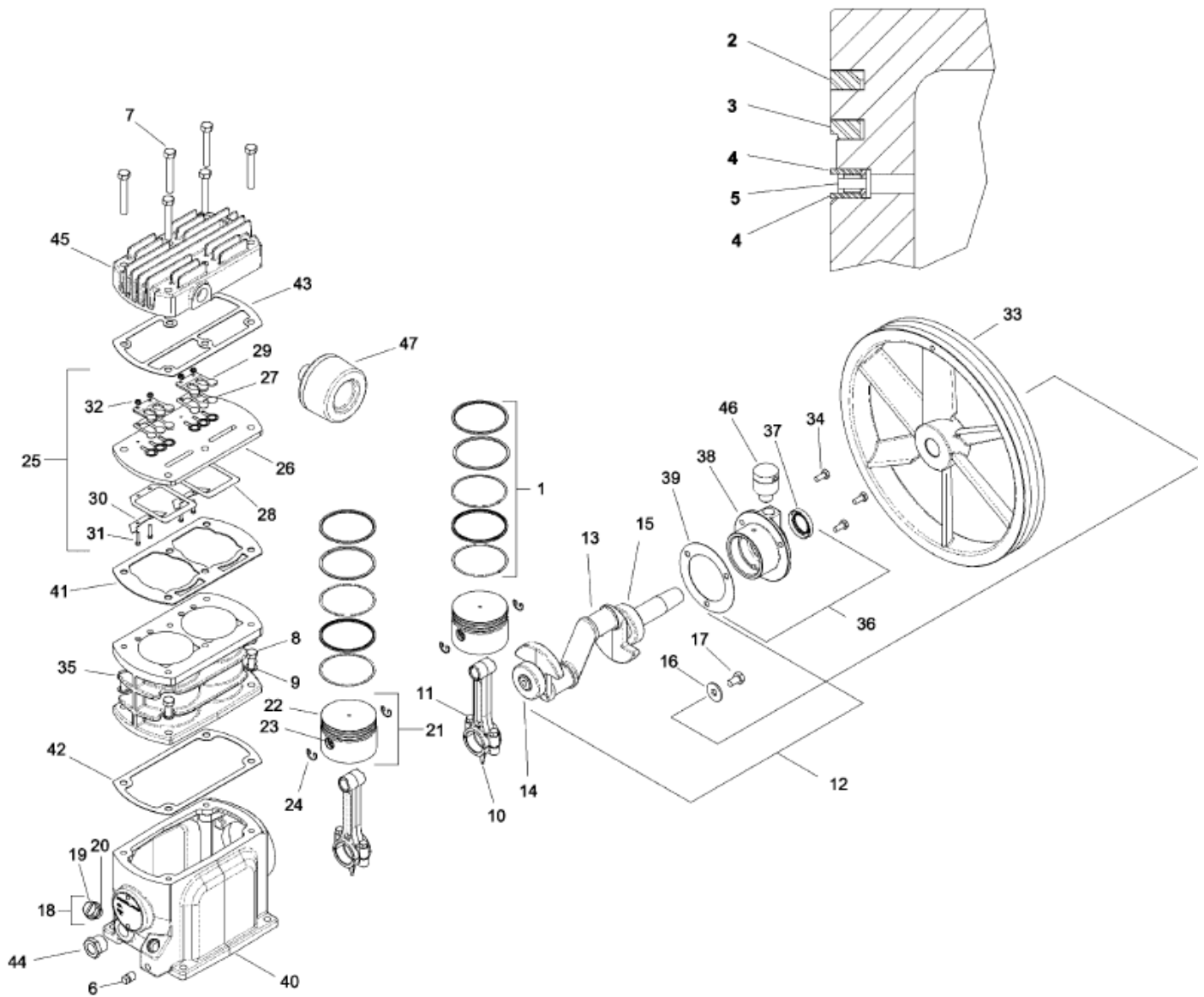
PROBLÈME	CAUSE POSSIBLE	SOLUTION POSSIBLE
Usure anormale des pistons, des segments ou des cylindres	Viscosité trop faible du lubrifiant	Vidanger le lubrifiant actuel et le remplacer par un lubrifiant qui convient.
	Niveau de lubrifiant trop faible.	Verser du lubrifiant dans le carter principal jusqu'au niveau requis.
	Le lubrifiant utilisé est du type à détergent.	Vidanger le lubrifiant actuel et le remplacer par un lubrifiant qui convient.
	Les cylindres ou les pistons sont égratignés, usés ou entaillés.	Réparer ou remplacer au besoin
	Atmosphère chargée de poussières.	Installer une canalisation d'aspiration à distance et l'acheminer vers une source d'air propre. Installer un système de filtration plus efficace.
	Paroi de cylindre usée	Roder le cylindre à l'aide d'un rodoir flexible de 180 grains
Chute du débit d'air	Filtre sale à l'aspiration et/ou au refoulement.	Nettoyer ou remplacer.
	Fuites d'air dans les canalisations de refoulement.	Vérifier les tubes et les raccords.
	Viscosité trop élevée du lubrifiant.	Vidanger le lubrifiant actuel et le remplacer par un lubrifiant qui convient.
	Fuites, bris ou accumulation de calamine dans les clapets du compresseur.	Inspecter les clapets. Les nettoyer ou les remplacer au besoin. Installer une trousse de rechange clapets et joints.
	Segments de pistons endommagés ou usés (cassés, rugueux ou égratignés). Coupe ou dégagement latéral trop grand.	Installer une trousse de rechange segments et joints.
	Les segments sont hors de leur logement ou coincés dans leurs gorges ou leurs coupes ne sont pas décalées.	Ajuster les segments.
	Les cylindres ou les pistons sont égratignés, usés ou entaillés.	Réparer ou remplacer au besoin.
	Soupape de sûreté/décharge défectueuse.	Remplacer.
Le compresseur n'atteint pas sa vitesse de marche	Poulie motrice ou volant de courroie mal serré, trap de jeu dans l'arbre moteur ou courroies d'entraînement lâches	Vérifier le volant, la poulie motrice, le vilebrequin, la tension et l'alignement de la courroie d'entraînement. Réparer ou remplacer au besoin.
	Viscosité trop élevée du lubrifiant.	Vidanger le lubrifiant actuel et le remplacer par un lubrifiant qui convient.
	Tension de ligne inadéquate.	Vérifier la tension de ligne et améliorer les lignes au besoin. Contacter un électricien.
	Fuites, bris ou accumulation de calamine dans les clapets du compresseur.	Inspecter les clapets. Les nettoyer ou les remplacer au besoin. Installer une trousse de rechange clapets et joints.
	Paliers à billes défectueux sur le vilebrequin ou l'arbre moteur.	Inspecter les paliers et les remplacer au besoin.
Le compresseur met trop de temps à atteindre sa vitesse de marche	Viscosité trop élevée du lubrifiant.	Vidanger le lubrifiant actuel et le remplacer par un lubrifiant qui convient
	Fuite de la soupape de sûreté ou siège de soupape usé.	Remplacer la soupape de sûreté.
	la température de l'air ambiant est trop faible.	Installer le compresseur dans un lieu plus chaud. Installer une trousse de chauffage du carter principal.
	Mauvais moteur.	Remplacer.

PROBLÈME	CAUSE POSSIBLE	SOLUTION POSSIBLE
Le compresseur devient extrêmement chaud	Ventilation insuffisante autour du volant de la courroie.	Déplacer le compresseur pour un débit d'air amélioré.
	Courroies d'entraînement trap lâches ou mal alignées.	Ajuster les courroies pour leur donner la tension et l'alignement qui convient.
	Fuites, bris ou accumulation de calamine dans les clapets du compresseur.	Inspecter les clapets. Les nettoyer ou les remplacer au besoin. Installer une trousse de rechange clapets et joints.
	Direction de rotation du volant à contre-voie.	vérifier le cablage du moteur pour des connexions adéquates. Inverser deux conducteurs sur moteurs triphasés.
Bruit excessif à l'usage	Paulie motrice ou volant de courroie mal serré. trap de jeu dans l'arbre moteur au courroies d'entraînement lâches	vérifier le volant. la poulie motrice, le vilebrequin, la tension et l'alignement de la courroie d'entraînement. Réparer ou remplacer au besoin.
	Viscosité trop élevée du lubrifiant.	Vidanger le lubrifiant actuel et le remplacer par un lubrifiant qui convient.
	Niveau de lubrifiant trap faible.	Verser du lubrifiant dans le carter principal jusqu'au niveau requis.
	Fuites, bris ou accumulation de calamine dans les clapets du compresseur.	Inspecter les clapets. Les nettoyer ou les remplacer au besoin, Installer une trousse de rechange clapets et joints.
	Accumulation de calamine sur le fond des pistons	Nettoyer les pistons. Réparer ou remplacer au besoin.
	Paliers à billes defectueux sur le vilebrequin ou l'arbre moteur.	Inspecter les paliers et les remplacer au besoin.
	Fuite de la soupape de sûreté ou siège de soupape usé.	Remplacer la sou à e de sûreté.
Arrêts et démarrages trop	Fuites d'air dans les canalisations de refoulement.	vérifier les tubes et les raccords.
	Différentiel du contacteur manométrique trop étroit.	Ajuster le contacteur manométrique pour augmenter le différentiel. si l'ajustage du différentiel est possible. Installer un pressure contacteur manométrique avec un fonctionnalité d'ajustage du différentiel, si l'ajustage du différentiel est souhaité.
	Fuite de la soupape de sûreté ou siege de soupape usé.	Remplacer la soupape de sûreté.
	Trap de condensat dans le réservoir.	Purger le réservoir à l'aide du purgeur manuel.
Consommation excessive d'huile	Filtre sale à l'aspiration etlou au refoulement.	Nettoyer ou remplacer.
	Viscosité trop faible du lubrifiant.	Vidanger le lubrifiant actuel et le remplacer par un lubrifiant qui convient.
	Le lubrifiant utilise est du type à detergent.	Vidanger le lubrifiant actuel et le remplacer par un lubrifiant qui convient.
	Segments de pistons endommages ou usés (casses, rugueux ou egratignés). Coupe ou degagement lateral trap grand.	Installer une trousse de rechange segments et joints.
	Les segments sont hors de leur logement ou coincés dans leurs gorges ou leurs coupes ne sont pas decalEles.	Ajuster les segments.
	Les cylindres ou les pistons sont egratignes, usés ou entailles.	Réparer ou remplacer au besoin.
	Une bielle, un axe de piston ou des paliers du maneton sont usés ou entaillos.	Tout in specter. Réparer ou rem placer au besoin.
	Le joint d'huile est use ou le vilebrequin est entaillel.	Remplacer le joint ou le vilebrequin.
	Paroi de cylindre usée.	Roder le cylindre à raide d'un rodoir flexible de 180 grains.

PROBLÈME	CAUSE POSSIBLE	SOLUTION POSSIBLE
Cognements ou cliquetis	Paulie motrice ou vol ant de courroie mal serré, trop de jeu dans l'arbre moteur ou courroies d'entraînement lâches.	vérifier le volant, la poulie motrice, le vilebrequin, la tension et l'alignement de la courroie d'entraînement. Réparer ou remplacer au besoin.
	Fuites, bris ou accumulation de calamine dans les clapets du compresseur	Inspecter les clapets. Les nettoyer ou les remplacer au besoin. Installer une trousse de rechange clapets et joints.
	Accumulation de calamine sur le fond des pistons	Nettoyer les pistons. Réparer ou remplacer au besoin
	Les cylindres ou les pistons sont égratignés, usés ou entaillés	Réparer ou remplacer au besoin.
	Une bielle, un axe de piston ou des paliers du maneton sont usés ou entaillés.	Tout inspecter. Réparer ou remplacer au besoin.
	Paliers à billes defectueux sur le vilebrequin ou l'arbre moteur	Inspecter les paliers et les remplacer au besoin.
Les voyants clignotent ou s'affaiblissent lors du fonctionnement	Tension de ligne inadéquate.	Vérifier la tension de ligne et améliorer les lignes au besoin. Contacter un électricien.
	Câblage ou panneau de service électrique trap petit.	Installer un fil ou boîte de service proprement dimensionné. Contacter un électricien.
	Mauvais contact sur les bornes du moteur ou mauvaises connexions du démarreur.	Assurer un contact adéquat sur les bornes du moteur ou les connexions du démarreur.
	Mauvais réchauffeurs de surcharge du démarreur.	Installer réchauffeurs de surcharge de démarreur adéquats. Contacter un électricien.
	Mauvais réglage du puissance (ligne desequilibré).	Contacteur la compagnie d'électricité.
Humidité dans le carter principal ou aspect laiteux du lubrifiant à base de pétrole ou rouille dans les cylindres	Le lubrifiant utilisé est du type à détergent.	Vidanger le lubrifiant actuel et le remplacer par un lubrifiant qui convient.
	Cycles de marche extrêmement légers.	Faire fonctionner le compresseur par cycles plus longs.
	Le compresseur est situé dans un lieu humide.	Déplacer le compresseur.
Surcharge du moteur se declenche ou tire courant excessif	Viscosité trap élevée du lubrifiant.	Vidanger le lubrifiant actuel et le remplacer par un lubrifiant qui convient.
	Tension de ligne inadéquate.	vérifier la tension de ligne et améliorer les lignes au besoin. Contacter un électricien.
	Câblage ou panneau de service électrique trap petit.	Installer un fil ou boîte de service proprement dimensionne. Contacter un électricien.
	Mauvais contact sur les bornes du moteur ou mauvaises connexions du démarreur.	Assurer un contact adequat sur les bornes du moteur ou les connexions du démarreur.
	Mauvais réchauffeurs de surcharge du démarreur.	Installer rechauffeurs de surcharge de démarreur adéquats. Contacter un électricien.
	Mauvais réglage du puissance (ligne desequilibré).	Contacteur la compagnie d'électricité.
	Courroies d'entraînement trap lâches ou mal alignées.	Ajuster les courroies pour leur donner la tension et l'alignement qui convient.
	Fuites, bris ou accumulation de calamine dans les clapets du compresseur	Inspecter les clapets. Les nettoyer ou les remplacer au besoin. Installer une trousse de rechange clapets et joints.
	Les cylindres ou les pistons sont égratignés, usés ou entaillés.	Réparer ou remplacer au besoin.
	Une bielle, un axe de piston ou des paliers du maneton sont usés ou entaillés.	Tout in specter. Réparer ou rem placer au besoin.
	Paliers à billies défectueux sur le vilebrequin ou l'arbre moteur.	Inspecter les paliers et les remplacer au besoin.
	Fuite de la soupape de sûreté ou siège de soupape use.	Remplacer la soupape de sûreté.
	La température de l'air ambiant est trap faible.	Installer le compresseur dans un lieu plus chaud. Installer une trousse de chauffage du carter principal. Convertir l'appareil au lubrifiant synthétique.
Mauvais moteur.	Remplacer	

PROBLÈME	CAUSE POSSIBLE	SOLUTION POSSIBLE
Moteur ne démarre pas	Tension de ligne inadéquate.	Vérifier la tension de ligne et améliorer les lignes au besoin. Contacter un électricien.
	Câblage ou panneau de service électrique trop petit.	Installer un fil ou boîte de service proprement dimensionné. Contacter un électricien.
	Mauvais contact sur les bornes du moteur ou mauvaises connexions du démarreur.	Assurer un contact adéquat sur les bornes du moteur ou les connexions du démarreur.
	Mauvais réchauffeurs de surcharge du démarreur.	Installer réchauffeurs de surcharge de démarreur adéquats. Contacter un électricien.
	Mauvais moteur.	Remplacer
De l'huile dans l'air de refoulement (pompage d'huile)	Viscosité trop faible du lubrifiant.	Vidanger le lubrifiant actuel et le remplacer par un lubrifiant qui convient
	Le lubrifiant utilisé est du type à détergent.	Vidanger le lubrifiant actuel et le remplacer par un lubrifiant qui convient
	Segments de pistons endommagés ou usés (cassés, rugueux ou égratignés). Coupe ou dégagement latéral trop grand.	Installer une trousse de rechange segments et joints.
	Les segments sont hors de leur logement ou coincés dans leurs gorges ou leurs coupes ne sont pas décalées.	Ajuster les segments.
	Les cylindres ou les pistons sont égratignés, usés ou entaillés.	Reparer ou remplacer au besoin.
	Paroi de cylindre usée.	Roder le cylindre à l'aide d'un rodoir flexible de 180 grains.
	Trop de condensat dans le réservoir.	Purger le réservoir B l'aide du purgeur manuel.
Fuite du joint d'huile	Le joint d'huile est usé ou le vilebrequin est entaillé.	Remplacer le joint ou le vilebrequin.
La soupape de sûreté et de décharge défectueuse	Filtre sale B l'aspiration avant au refoulement.	Nettoyer ou remplacer.
	Fuites, bris ou accumulation de calamine dans les clapets du compresseur.	Inspecter les clapets. Les nettoyer ou les remplacer au besoin. Installer une trousse de rechange clapets et joints.
	Soupape de sûreté et de décharge défectueuse.	Remplacer

LISTE DE PIÈCES POUR COMPRESSEUR NU, MODÈLE SS3



Séquence des segments

N° DE REP.	N° OE PIÈCE	DESCRIPTION	QTE.
REF	97330419	COMPRESSEUR NU	-
1	32307092	JEU DE SEGMENTS	2
2	NSS	• SEGMENT DE COMPRESSION	1
3	NSS	• SEGMENT RACLEUR À ÉPAULEMENT	1
4	NSS	• SEGMENT D'ESPACEMENT	2
5	NSS	• SEGMENT RACLEUR À FENTES	1
6	95033585	BOUCHON DE VIDANGE D'HUILE	1
7	96715784	VIS D'ASSEMBLAGE, M8 X 55 (BOULON DE CULASSE)	6
8	96716113	VIS D'ASSEMBLAGE, M8 X 20 (BOULON DE CYLINDRE)	4
9	96728316	RONDELLE À RESSORT M8	4
10	97330427	BIELLE	2
11	96702246	• VIS D'ASSEMBLAGE M6 X 25	2
12	97338081	ENSEMBLE DE VILEBREQUIN	1
13	NSS	• VILEBREQUIN	1
14	NSS	• PALIER PRINCIPAL	1
15	NSS	• PALIER À BILLES	1
16	54375977	• RONDELLE M8	1
17	54440045	• VIS D'ASSEMBLAGE M5 X 20 FILETÉE À GAUCHE	1
18	49812050	ENSEMBLE DE BOUCHON DE REMPLISSAGE D'HUILE	1
19	NSS	• BOUCHON DE REMPLISSAGE D'HUILE	1
20	95024394	• JOINT TORI QUE DE BOUCHON DE REMPLISSAGE D'HUILE	1
21	97330468	ENSEMBLE DE PISTON ET AXE	2
22	NSS	• PISTON	1
23	NSS	• AXE DE PISTON	1
24	NSS	• CIRCLIP	2
<input type="checkbox"/> 25	97330484	CLAPET	1
26	NSS	• PLAQUE DE CLAPET	1
27	NSS	• CLAPET DE REFOULEMENT	2
28	NSS	• CLAPET D'ASPIRATION	2
29	NSS	• BUTÉE DE REFOULEMENT	2
30	NSS	• VOLET DE RETENUE D'ASPIRATION	2
31	NSS	• VIS À TÊTE HEX. M3 X 16	4
32	NSS	• ÉCROU HEX. M3 AVEC RONDELLE DE BLOCAGE	4
33	97330492	VOLANT D'ENTRAÎNEMENT	1
34	97330500	VIS D'ASSEMBLAGE M6 X 14 (BOULON DE CARTER)	3
35	97330625	CYLINDRE	1
36	97338073	ENSEMBLE DE CARTER	1
37	32204521	• JOINT D'ARBRE	1
38	NSS	• CARTER	1
39	97331227	• JOINT DE CARTER	1
40	97330641	CHÂSSIS DE COMPRESSEUR	1

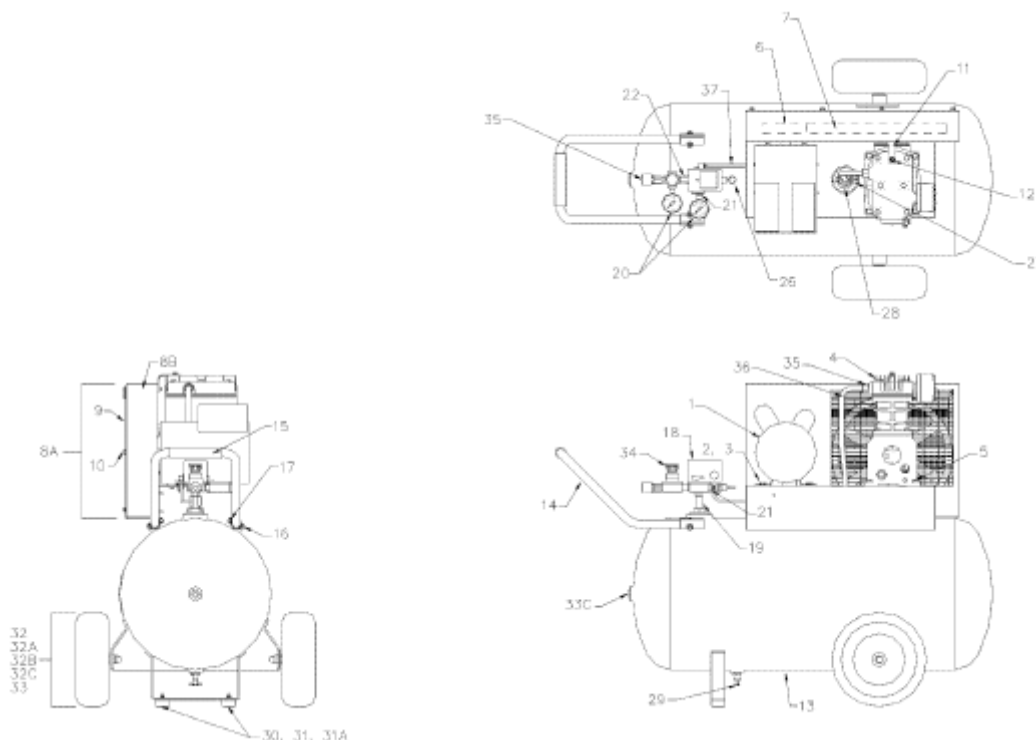
N° DE REP.	N° OE PIÉCE	DESCRIPTION	QTE.
<input type="checkbox"/> 41	97330658	JOINT DE PLAQUE DE CLAPET	1
<input checked="" type="checkbox"/> 42	97330666	JOINT DE CYLINDRE	1
<input type="checkbox"/> 43	54571609	JOINT DE CULASSE	1
44	97330682	WISEUR	1
45	97330690	CULASSE	1
46	70243936	ENSEMBLE D'ÉVENT	1
47	70243399	FIL TRE D'ASPIRATION	1
NI	70243712	• ÉLÉMENT FILTRANT	1

NSS NON VENDU SÉPARÉMENT

VENDU SÉPARÉMENT OU DANS L'ENSEMBLE DE CLAPETS 97338107

VENDU SÉPARÉMENT OU DANS L'ENSEMBLE DE SEGMENTS 97338115

LISTE DE PIÈCES POUR LE MODÈLE SS3F2-GM



REMARQUE : CORDON DE PUISSANCE PAS ILLUSTRÉ .

■ GROUPE MOTEUR ET POMPE SANS ACCESSOIRES			
NO. RÉF	NO. PIÈCE	DESCRIPTION	QTÉ.
1	54441456	MOTEUR, 115 VOLTS AVEC CÂBLE	1
2	32164634	VIS À TÊTE CUBIQUE, RONDELLE À DENTURE EXTERIEURE -5 / 16X3 / 4	4
3	39128558	ÉCROU, .31 WHIZ-LOCK	4
4	97330419	SANS ACCESSOIRES, SS3	1
5	971 70849	VIS, DE PRISE AUTOMATIQUE LONGUEUR 0,31X 0,75	4
6	54454913	POULIE	1
7	54454780	COURROIE TRAPÉZOÏDALE, AX46- D'ENTAILLES DE TRACTION	1
■ GROUPE CARTER DE COURROIE			
NO. RÉF	NO. PIÈCE	DESCRIPTION	QTÉ.
8A	20102562	ASSEMBLAGE, CARTER DE COURROIE COMPLÈTE	1
8B	54459516	CARTER DE COURROIE, ARRIÈRE	1
9	54459508	CARTER DE COURROIE, AVANT	1
10	97173595	VIS, DE PRISE AUTOMATIQUE LONGUEUR DE 0,25 X 0,50	15
11	56269574	RENFORT, CARTER DE COURROIE	1
12	56280159	VIS, LONGUEUR M6-1,0 X 12mm (A DENTURES)	1
■ GROUPE RESERVOIR			
NO. RÉF	NO. PIÈCE	DESCRIPTION	QTÉ.
13	54478409	RÉSERVOIR	1
14	54480249	MANETTE	1

15	54480223	GRIFFE, MANETTE	1
16	58879461	VIS, WHIZ-LOCK LONGUEUR DE 0,31 X 1,50	2
17	39128558	ÉCROU, WHIZ-LOCK DE 0,31	2
18	54441738	PRESSOSTAT	1
19	95242582	GLAND, LONGUEUR DE 0,25 X 1,50 LONG	1
20	54454319	MANOMÈTRE	2
21	97503023	MANCHON, REDUCTEUR DE 0,25 X 0,13 (POUR MONTER 20 & 26)	2
22	91896480	GLAND, (POUR MONTER LE RÉGULATEUR)	1
NI	54441480	CORDON, DE PUISSANCE	1
NI	97004030	CONNECTEUR DE CORDON (CONNECTER À PRESSOSTAT)	2
26	97171664	SOUPAPE, DE SÉCURITÉ/DÉCHARGE	1
27	54381348	SOUPAPE, DE SÉCURITÉ/DÉCHARGE	1
28	56269590	SOUPAPE, D'ARRÊT	1
29	32027120	SOUPAPE, DE VIDANDE MANUEL	1
30	97175343	TAMPON, ISOLATEUR	2
31	39128434	VIS, WHIZ-LOCK LONGUEUR DE 0,25 X 1,00	2
31A	39128541	ECROU, WHIZ-LOCK-1/4-20	2
32	47633135001	ROUE, DIAMETRE 10,0 POUCES	2
32A	95958393	VIS A TETE CUBIQUE, 1/2-18 X 3,5 (POUR MONTER LES ROUES)	2
32B	95116877	ÉCROU, PRISE AUTOMATIQUE 1/2-13 (POUR MONTER LES ROUES)	2
32C	95937371	RONDELLE, PLATE, 1/2 D.I. (POUR MONTER LES ROUES)	2
33	20101929	AXE (POUR MONTER LES ROUES)	2
NI	32224537	BRIDE, CABLE DE MOTEUR	1
NI	97173595	VIS CUBIQUE, FILETAGE AUTOMATIQUE -TAP-1/4-20 1/2 (POUR BRIDE)	1
33C	95928255	BOUCHON, RÉSERVOIR (PAS INCLUS DANS L'ASSEMBLAGE DU RÉSERVOIR)	1
34	37992849	REGULATEUR	1
35	32238354	SORTIE, DÉCONNEXION RAPIDE	1
■ GROUPE TUBES ET ACCESSOIRES			
NO. RÉF	NO. PIÈCE	DESCRIPTION	QTÉ.
35	95083192	CONNECTEUR, TUBE NPT 0,50 TUBE X 0,38	1
36	54444500	TUBE, DÉCHARGE	1
37	54499116	TUBE, PRESSOSTAT	1

TROUSSES ET ACCESSOIRES

■ TROUSSE DE DÉMARRAGE

Chaque kit de garantie prolongée contient des filtres à air et un lubrifiant sélectif toutes saisons suffisant pour un fonctionnement de deux ans.

NO. PIÉCE	DESCRIPTION
97338099	TROUSSE, DÉMARRAGE

■ LUBRIFIANT SYNTHÉTIQUE INGERSOLL-RAND POUR COMPRESSEURS

NO. PIÉCE	DESCRIPTION
97338131	LUBRIFIANT, BOUTEILLE DE 0,5L
97338149	LUBRIFIANT, PACK DE SIX BOUTEILLES DE 0,5L

■ ELEMEN DE FILTRE D'AIR

NO. PIÉCE	DESCRIPTION
70243712	ÉLÉMENT, FILTRE D'AIR

■ TROUSSES D'ENTRETIEN RAPIDE

Les TrousSES d'entretien rapide contiennent toutes les pièces pour l'entretien standard comme le remplacement des segments de piston et le remplacement des soupapes.

NO. PIÉCE	DESCRIPTION	CONTENU
97338107	TROUSSE, SOUPAPE/JOINT	Pièces d'usure des soupapes et joints de culasse détruits pendant le remplacement des pièces de soupape
97338115	TROUSSE, SEGMENT/JOINT	Jeu complet de segments de piston, joint de vilebrequin, et joints détruits pendant le démontage de l'unité pour le remplacement des segments.

■ TROUSSE DE CHAUFFAGE DU CARTER PRINCIPAL

L'installation de trousseS de chauffage du carter principal est conseillée pour les environnements avec des températures régulièrement au-dessous de 32°F (0°C). La trousse externe d'installation facile d'un réchauffeur du carter principal est fournie pour utilisation post-vente.

NO. PIÉCE	DESCRIPTION
97330385	TROUSSE, CHAUFFAGE DU CARTER PRINCIPAL

■ TUYAUX D'AIR À FONCTION MULTIPLE

Ces assemblages de tuyaux d'air sont des tuyaux de grand puissance, légers conçus pour une pression de travail de 300 PSIG

NO. PIÉCE	DESCRIPTION
32323750	TUYAU, AIR - 3/8" X 25" (1/4" MÂLE NPT)
32323768	TUYAU, AIR - 3/8" X 50" (1/4" MÂLE NPT)
32323776	TUYAU, AIR - 3/8" X 100" (1/4" MÂLE NPT)

■ FILTRES EN Y

Les filtres en Y empêchent que des impuretés sont transportées en aval.

NO. PIÉCE	DESCRIPTION
32323628	FILTRE EN Y, 1/4"
32323636	FILTRE EN Y, 1/2"

GARANTIE ET LIMITATION DE RESPONSABILITÉ

■ GARANTIE

La société **Ingersoll Rand** garantit que l'équipement fabriqué et livré par les présentes ne comporte aucun défaut de matériel ou de malfaçon et ce pendant une période douze (12) mois à partir de la date de mise en service de l'équipement ou de dix-huit (18) mois à partir de la date de livraison, selon la première éventualité. Cette période de garantie s'appliquera à tout équipement, sauf les suivants :

1. Pour les compresseurs achetés avec un kit de garantie étendue qui sont exploités uniquement avec le lubrifiant synthétique d'**Ingersoll Rand** fourni dans le kit, les compresseurs seuls seront garantis pendant les vingt-quatre (24) mois précédents à partir de la date de fonctionnement initial ou trente (30) mois à partir de la date d'expédition.
2. Les pièces de rechange seront garanties pendant six (6) mois à partir de la date de livraison.

Si la société est avisée par écrit d'une violation des dispositions de la présente garantie à l'intérieur de la période requise, alors la société s'engage, à son gré, à y remédier soit en réparant correctement l'équipement, soit en fournissant une pièce de rechange FAB du point d'origine, pourvu que l'acheteur ait installé, exploité et entretenu l'équipement conformément aux pratiques acceptées de l'industrie et qu'il ait suivi les recommandations particulières de la société. Les accessoires et les équipements fournis par la société mais fabriqués par un tiers seront protégés par la garantie obtenue du tiers par **Ingersoll Rand** et ayant pu être cédée à l'acheteur. La société ne sera en aucun cas tenue responsable des réparations, des remplacements ou des réglages effectués à l'équipement ou du coût de main-d'oeuvre engagé par l'acheteur sans l'autorisation écrite préalable de la société.

La société ne fait aucune garantie quant à la performance, exception faite des déclarations particulières faites dans sa proposition. Les effets de la corrosion, de l'érosion ainsi que de l'usure normale sont explicitement exclus des protections assurées par la garantie. Si des garanties de performance ont été explicitement incluses, alors les obligations de la société seront limitées à assurer un correctif de la manière et durant la période précisées ci-dessus.

LA SOCIÉTÉ NE FAIT AUCUNE AUTRE GARANTIE OU DÉCLARATION DE QUELQUE SORTE QUE CE SOIT, DE NATURE IMPLICITE OU EXPLICITE, SAUF EN CE QUI CONCERNE LE TITRE, ET ELLE RENONCE PAR LES PRÉSENTES À TOUTE GARANTIE IMPLICITE DE QUALITÉ LOYALE ET MARCHANDE.

La correction par la société de tout vice, qu'il soit apparent ou caché, de la manière et pendant la période établie ci-dessus, constituera l'accomplissement de toutes les responsabilités de la société et de ses distributeurs en vertu de tout vice qui concerne l'équipement ou qui en découle.

■ LIMITATION DE RESPONSABILITÉ

LES RECOURS DE L'ACHETEUR EN VERTU DE LA PRÉSENTE SONT EXCLUSIFS ET LA RESPONSABILITÉ TOTALE DE LA SOCIÉTÉ, DE SES DISTRIBUTEURS ET DE SES FOURNISSEURS EN CE QUI CONCERNE L'EXÉCUTION OU LA VIOLATION DU CONTRAT OU DE L'ÉQUIPEMENT ET DES SERVICES FOURNIS, OU EN CE QUI CONCERNE LA FABRICATION, LA VENTE, LA LIVRAISON, L'INSTALLATION, LA RÉPARATION OU LA DIRECTION TECHNIQUE PRÉVUE AU CONTRAT OU FOURNIE EN VERTU DE CE DERNIER, QUE CE SOIT EN VERTU D'UN CONTRAT, D'UNE GARANTIE, DE LA NÉGLIGENCE, D'UNE INDEMNISATION, DE LA RESPONSABILITÉ STRICTE OU AUTREMENT, NE POURRA PAS DÉPASSER LE PRIX D'ACHAT DE L'UNITÉ D'ÉQUIPEMENT SUR LAQUELLE LA RESPONSABILITÉ EST FONDÉE.

LA SOCIÉTÉ, SES DISTRIBUTEURS ET SES FOURNISSEURS NE SERONT DANS AUCUNE ÉVENTUALITÉ TENUS RESPONSABLES ENVERS L'ACHETEUR, SES AYANTS DROIT, SES BÉNÉFICIAIRES OU SES CESSIONNAIRES EN VERTU D'UN CONTRAT DES DOMMAGES-INTÉRÊTS INDIRECTS, ACCESSOIRES, FORTUITS, PARTICULIERS OU EXEMPLAIRES SURVENANT EN VERTU DU PRÉSENT CONTRAT OU DE SA VIOLATION OU D'UN DÉFAUT, D'UNE DÉFECTUOSITÉ OU D'UNE ANOMALIE DE L'ÉQUIPEMENT, QU'ILS SOIENT FONDÉS SUR LA PERTE DE JOUISSANCE, LA PERTE DE PROFITS OU DE REVENUS, L'INTÉRÊT, LA PERTE D'ACHALANDAGE, L'ARRÊT DU TRAVAIL, LES DOMMAGES À D'AUTRES BIENS, LES PERTES EN RAISON D'UN ARRÊT DE FONCTIONNEMENT, L'ACCROISSEMENT DES DÉPENSES D'EXPLOITATION, LE COÛT D'ACHAT D'UNE ALIMENTATION DE RECHANGE OU LES RÉCLAMATIONS DE CLIENTS OU D'ACHETEURS DE CLIENTS EN RAISON D'UNE INTERRUPTION DE SERVICE, PEU IMPORTE QUE TELLE PERTE OU QUE DE TELS DOMMAGES SOIENT FONDÉS SUR UN CONTRAT, UNE GARANTIE, UNE NÉGLIGENCE, UNE INDEMNITÉ, UNE RESPONSABILITÉ STRICTE OU AUTREMENT.



A series of horizontal lines spanning the width of the page, providing a template for writing.



A series of horizontal lines spanning the width of the page, providing a template for writing.



A series of horizontal lines spanning the width of the page, intended for writing or drawing.

